



Advanced AV Distribution Solutions

SYSTEM INSTALLATION & INTEGRATION

AV SIGNAL DISTRIBUTION & SWITCHING

AV CONVERSION, SCALLING & PROCESSING

CONTENTS

MATRIX	1
Modularized Matrix	1
HDMI Over HDBaseT Matrix	2
HDMI Matrix.....	6
DVI Matrix.....	11
3G-SDI Matrix	12
Component Video Matrix.....	13
Infrared Matrix	14
SPLITTERS	17
HDMI To HDBaseT Splitter.....	17
HDMI Splitter.....	19
DVI Splitter	28
3G-SDI Splitter	29
USB Over Ethernet Splitter.....	29
DisplayPort Splitter.....	30
Analog Video Splitter.....	31
SWITCHERS	33
HDMI Switcher.....	33
DVI Switcher.....	42
3G-SDI Switcher	42
Analog Video Switcher.....	43
EXTENDERS	45
HDMI Over HDBaseT 100m Extender	45
HDMI/DVI Over HDBaseT 70m Extender	53
HDMI Over 2CAT6 Extender	56
HDMI Over 1CAT6 Extender	58
Other 1CAT5 Extender.....	58
Over IP Extender.....	62
Over Optical/Coaxial Extender.....	64
Over 2CAT6/1CAT5 Long-distance Extender.....	66
HDBaseT Repeater	68
HDMI/DVI/2CAT6 Repeater	68
SCALERS	75
HDMI Scaler	75
DVI Scaler.....	84
3G-SDI Scaler	88
VGA/Component Video Scaler.....	90
Down Scaler.....	93
VIDEO CONVERSION	99
Video Format Converter	99
3D Video Converter.....	108
USB Video Converter	109
Video Mixer.....	111
TV System Converter.....	112
Other Video Processor.....	116

AUDIO CONVERSION	120
Dolby Digital Decoder.....	120
Audio Format Converter	122
Audio Splitter And Switcher	128
Audio Inserter And Extractor.....	130
Other Audio Processor.....	132

DIGITAL SIGNAGE	136
LED Display	136
LCD Display.....	136
Video Wall Controller.....	136
Video Wall Quad Processor.....	138
Digital Video Recorder	138

OTHERS	142
Digital/Analog Generator And Analyzer.....	142
Other Equipment.....	144

TABLES	149
---------------	------------

FAQ	156
------------	------------

INDEX	159
--------------	------------



Modularized Matrix

32x32 Modularized Hybrid Matrix

CMSI-3232



16x16 Modularized Hybrid Matrix

CMSI-1616



8x8 Modularized Hybrid Matrix

CMSI-88



The CMSI-3232/CMSI-1616/CMSI-88 - 32 by 32 / 16 by 16 / 8 by 8 Modularized Matrix provides a professional way to route up to 32 sources to 32 displays over different formats, currently it supports inputs of HDMI, DVI-D and VGA, and outputs of HDMI, DVI-D and HDBaseT™ of different specs. This grand matrix, with its modularization design, provides ultimate flexibility by allowing the use of any combination of HDMI, DVI-D, and HDBaseT output cards in any of its four output slots. So besides functioning as a matrix, CMSI-3232 can be a converter or an extender. Controls via front-panel buttons, IR remote control, RS-232, Telnet and IP Control, with all information including system status presented on its LCM display.

- HDMI, HDCP 1.1 and DVI 1.0 compliant
- Changeable input and output boards
- Input and output module types can be mixed and added in increment of 8 from 8x8 up to 32x32 with HDMI, DVI, CAT5e/6/7 and VGA interfaces
- Supports LPCM 7.1CH, Dolby TrueHD, Dolby Digital Plus and DTS-HD Master Audio transmission
- Supports a wide range of PC and HDTV resolutions from VGA to WUXGA and 480i to 1080p or 4Kx2K
- Supports RS-232, Telnet and Web GUI controls
- Supports redundant power supply
- HDMI cable length with a resolution 1080p/8-bit and 12-bit the Input/ Output source can be 15m/15m (8-bit) and 10/10m (12-bit) away
- CAT5e/6/7 cable length with a resolution 1080p/8-bit and 12-bit the Input/Output source can be 100m/100m away
- EDID modes support:
 - Standard mode: Factory default
 - Automatic mode: Takes EDID from the lowest output
 - Manual mode: Assigns any output to any input port
- HDBaseT 5Play™ convergence: Video, Audio, PoE, Ethernet & Control (IR & RS-232)

P/ N	Interface	Input	Output	Deep Color	HD Audio	3D	HEC	ARC	4Kx2K	CEC	EDID	HDCP
CMSI-3232	HDMI/DVI/HDBaseT/VGA	32	32	Yes	Yes	Yes	-	-	-	-	Yes	Yes
CMSI-1616	HDMI/DVI/HDBaseT/VGA	16	16	Yes	Yes	Yes	-	-	-	-	Yes	Yes
CMSI-88	HDMI/DVI/HDBaseT/VGA	8	8	Yes	Yes	Yes	-	-	-	-	Yes	Yes

HDMI Over HDBaseT Matrix

8x8 HDMI over CAT5e/6/7 Matrix with LAN Serving/48V PoE

CMSI-18H8CVE



The CMSI-18H8CVE is an HDBaseT 5Play™ Matrix which supports the transmission of video (resolutions up to 1080p Full HD and 1920x200@60 Hz), multi-channel digital audio and control via IR, RS-232 or Telnet and Web GUI from eight high definition sources to eight outputs over a single CAT5e/6/7 cable (up to 100m) for each output. It supports high resolution digital audio formats as well as 3D content that can be displayed when connecting a 3DTV and 3D source. Power over Ethernet (PoE) support means that compatible receivers do not need their own power supplies allowing for greater flexibility in installations and LAN serving allows devices such as Smart TVs to be connected to the network.



- HDMI, HDCP 1.1 and DVI compliant
- Supports HDMI 3D features
- Resolutions support VGA to WUXGA (RB) or 480i to 1080p and 3D signal dependent upon the output display's EDID settings
- Supports bi-directional IR from input and output locations
- Controls via RS-232, remote controller, on-panel buttons or IP (Telnet or Web GUI)
- Supports PoE on compatible receivers only

- Supports LAN serving function through the LAN port
- 2U size design
- Supports external and internal EDID settings
- Supports LPCM 7.1CH, Dolby TrueHD, Dolby Digital Plus and DTS-HD Master Audio transmission

P/N	Input Interface	Output Interface	Input	Output	IR Extension	RS-232 Extension	PoE	Ethernet	Extender Cable	HD Audio	3D	HDCP
CMSI-18H8CVE	HDMI	CAT5e/6/7	8	8	Yes	Yes	Yes	Yes	CAT5e/6/7	Yes	Yes	Yes

8x8 HDMI over CAT5e/6/7 Matrix with LAN Serving

CMSI-8H8CVE



The CMSI-8H8CVE HDBaseT™ Matrix supports the transmission of video (resolutions up to 1080p Full HD and 1920x1200@60 Hz), multi-channel digital audio and control via IR, RS-232 or Telnet and Web GUI from eight high definition sources to eight outputs over a single CAT5e/6/7 cable (up to 100m) for each output. It supports high resolution digital audio formats as well as 3D content that can be displayed when connecting a 3DTV and 3D source. Power over Ethernet (PoE) support means that compatible receivers do not need their own power supplies allowing for greater flexibility in installations and LAN serving allows devices such as Smart TVs to be connected to the network.



- HDMI, HDCP 1.1 and DVI compliant
- Supports HDMI 3D features
- Resolutions support VGA to WUXGA (RB) or 480i to 1080p and 3D signal dependent upon the output display's EDID settings
- Supports bi-directional IR from input and output locations
- Controls via RS-232, remote controller, on-panel buttons or IP (Telnet or Web GUI)

- Supports PoE on compatible receivers only
- Supports LAN serving function through the LAN port
- 2U size design
- Supports external and internal EDID settings
- Supports LPCM 7.1CH, Dolby TrueHD, Dolby Digital Plus and DTS-HD Master Audio transmission

P/N	Input Interface	Output Interface	Input	Output	IR Extension	RS-232 Extension	PoE	Ethernet	Extender Cable	HD Audio	3D	HDCP
CMSI-8H8CVE	HDMI	CAT5e/6/7	8	8	Yes	Yes	Yes	Yes	CAT5e/6/7	Yes	Yes	Yes

8x8 / 4x4 HDMI over CAT5e/6/7 Matrix

CMSI-8H8CV / CMSI-4H4CV



The HDBase™ 8 by 8 or 4 by 4 HDMI Matrix over CAT5e/6/7 supports the transmission of video (resolutions up to 1080p Full HD and 1920x1200@60Hz), multi-channel digital audio and control via IR, RS-232, Telnet or Web GUI from four or eight high definition sources to eight outputs over a single CAT5e/6/7 cable (up to 100m) for each output. It supports high resolution digital audio formats such as LPCM 7.1CH, Dolby TrueHD, Dolby Digital Plus and DTS-HD Master Audio as well as 3D content that can be displayed when connecting a 3DTV and 3D source. Power over Ethernet (PoE) support means that compatible receivers do not need their own power supplies, allowing for greater flexibility in installations.



• CMSI-8H8CV



• CMSI-4H4CV

- HDMI, HDCP1.1 and DVI compliant
- Supports HDMI 3D features
- Supports resolutions VGA~WUXGA and 480i~1080p dependent upon the output display's EDID settings
- Supports 3D signal display dependent upon the output display EDID settings
- Supports PoE (Power over Ethernet) on compatible receivers only
- Supports HDMI input up to 15 meters at 8-bit resolution or 10 meters at 12-bit resolution
- Supports bi-directional IR from input and output locations
- 2U size design

- Supports RS-232, remote control, on-panel control and IP Control (Telnet & Web GUI)
- Supports external and internal EDID settings
- Supports LPCM 7.1CH, Dolby TrueHD, Dolby Digital Plus and DTS-HD Master Audio transmission

P/N	Input Interface	Output Interface	Input	Output	IR Extension	RS-232 Extension	PoE	Ethernet	Extender Cable	HD Audio	3D	HDCP
CMSI-8H8CV	HDMI	CAT5e/6/7	8	8	Yes	Yes	Yes	-	CAT5e/6/7	Yes	Yes	Yes
CMSI-4H4CV	HDMI	CAT5e/6/7	4	4	Yes	Yes	Yes	-	CAT5e/6/7	Yes	Yes	Yes

4x4 HDMI Matrix over CAT5e/6/7 with 2 HDMI Outputs

CMSI-424E



The HDBase™ 4 by 4 HDMI Matrix over CAT5e/6/7 with two additional simultaneous HDMI outputs supports the transmission of video (resolutions up to 1080p Full HD and 1920x1200@60Hz), multi-channel digital audio and control via IR, RS-232 or Web GUI/Telnet IP from four high definition sources to four HDBaseT outputs over a single CAT5e/6/7 cable (up to 100m) for each output. Output A and C have additional mirrored HDMI outputs.



It supports high resolution digital audio formats such as LPCM 7.1 CH, Dolby TrueHD, Dolby Digital Plus and DTS-HD Master Audio as well as 3D content that can be displayed when connecting a 3DTV and 3D source. Power over Ethernet (PoE) support means that compatible receivers do not need their own separate power supplies, allowing for greater flexibility in installations and the LAN serving function allows devices such as Smart TVs to be connected to the network/internet.

- HDMI, HDCP 1.1 and DVI compliant
- Supports HDMI 3D features
- Supports resolutions VGA~WUXGA and 480i~1080p dependent upon the output display's EDID settings
- Supports distances up to 100 meters through CAT6/7 cables and 80m for CAT5e
- Supports 3D signal display dependent upon the output display's EDID settings
- Supports LAN serving function through the LAN port

- Supports simultaneous HDMI and CAT 5e/6/7 display on outputs A and C
- Supports PoE (Power over Ethernet) on compatible receivers only
- Supports HDMI input up to 15 meters at 8-bit resolution or 10 meters at 12-bit resolution
- Supports bi-directional IR from input and output locations
- Supports RS-232, remote control, on-panel control and IP Control (Telnet or Web GUI)
- 1U size design
- Supports external and internal EDID settings
- Supports LPCM 7.1CH, Dolby TrueHD, Dolby Digital Plus and DTS-HD Master Audio transmission

P/N	Input Interface	Output Interface	Input	Output	IR Extension	RS-232 Extension	PoE	Ethernet	Extender Cable	HD Audio	3D	HDCP
CMSI-424E	HDMI	CAT5e/6/7 (HDMI)	4	4 (2)	Yes	Yes	Yes	Yes	CAT5e/6/7	Yes	Yes	Yes

8×8 HDMI over CAT5e/6/7 Matrix (60m)

CMSI-8H8CVL

The HDBase™ 8 by 8 HDMI Matrix over CAT5e/6/7 supports the transmission of video (resolutions up to 1080p Full HD and 1920x1200@60Hz), multi-channel digital audio and control via IR, RS-232, Telnet or Web GUI from eight high definition sources to eight outputs over a single CAT5e/6/7 cable (up to 60m) for each output. It supports high resolution digital audio formats such as LPCM 7.1CH, Dolby TrueHD, Dolby Digital Plus and DTS-HD Master Audio as well as 3D content that can be displayed when connecting a 3D TV and 3D source.

- HDMI, HDCP1.1 and DVI compliant
- Supports HDMI 3D features
- Supports resolutions VGA~WUXGA and 480i~1080p dependent upon the output display's EDID settings
- Supports distances up to 60 meters through CAT5e/6/7 cables
- Supports 3D signal display dependent upon the output display EDID settings
- Supports HDMI input up to 15 meters at 8-bit resolution or 10 meters at 12-bit resolution
- Supports bi-directional IR from input and output locations
- Supports RS-232, remote control, on-panel control and IP Control (Telnet & Web GUI)
- 2U size design
- Supports external and internal EDID settings
- Supports LPCM 7.1CH, Dolby TrueHD, Dolby Digital Plus and DTS-HD Master Audio transmission



4×4 HDMI over CAT5e/6/7 Matrix (60m)

CMSI-4H4CVL

The HDBase™ 4 by 4 HDMI Matrix over CAT5e/6/7 supports the transmission of video (resolutions up to 1080p Full HD and 1920x1200@60Hz), multi-channel digital audio and control via IR, RS-232, Telnet or Web GUI from eight high definition sources to four outputs over a single CAT5e/6/7 cable (up to 60m) for each output. It supports high resolution digital audio formats such as LPCM 7.1CH, Dolby TrueHD, Dolby Digital Plus and DTS-HD Master Audio as well as 3D content that can be displayed when connecting a 3D TV and 3D source.

- HDMI, HDCP1.1 and DVI compliant
- Supports HDMI 3D features
- Supports resolutions VGA~WUXGA and 480i~1080p dependent upon the output display's EDID settings
- Supports distances up to 60 meters through CAT5e/6/7 cables
- Supports 3D signal display dependent upon the output display EDID settings
- Supports HDMI input up to 15 meters at 8-bit resolution or 10 meters at 12-bit resolution
- Supports bi-directional IR from input and output locations



- Supports RS-232, remote control, on-panel control and IP Control (Telnet & Web GUI)
- 1 U size design
- Supports external and internal EDID settings
- Supports LPCM 7.1CH, Dolby TrueHD, Dolby Digital Plus and DTS-HD Master Audio transmission

P/N	Input Interface	Output Interface	Input	Output	IR Extension	RS-232 Extension	PoE	Ethernet	Extender Cable	HD Audio	3D	HDCP
CMSI-8H8CVL	HDMI	CAT5e/6/7	8	8	Yes	Yes	-	-	CAT5e/6/7	Yes	Yes	Yes
CMSI-4H4CVL	HDMI	CAT5e/6/7	4	4	Yes	Yes	-	-	CAT5e/6/7	Yes	Yes	Yes

4×6 HDMI Matrix of 2 HDMI and 4 CAT5e/6/7 Outputs (PoE 60m)

CMSI-46PL



The CMSI-46PL is a 4 by 6 Matrix allows HDMI signal from any of its four sources to be routed to any of its six outputs simultaneously. With a thoughtful design for local and remote connections both required in system integration, the model is engineered with 2 HDMI and 4 CAT5e/6/7 outputs, the later ones carry major HDBaseT™ features including the transmission of high definition audio and video, bidirectional IR, RS-232 and PoE (Power over Ethernet) over 60 meters. The operation can be done through its front-panel buttons, IR remote control, RS-232, Telnet and IP Control, with all information including system status presented on its LCM display.



- Supports resolutions VGA to WUXGA and 480i to 1080p dependent upon the output display's EDID settings
- Supports distances up to 70 meters through CAT6/7 cables and 60m for CAT5e
- Supports 3D signal display dependent upon the output display's EDID settings
- Supports bidirectional IR from input and output locations
- Supports external and internal EDID settings
- Supports LPCM 7.1 CH, Dolby TrueHD, Dolby Digital Plus and DTS-HD Master Audio transmission
- Supports PoE (Power over Ethernet) on compatible receivers only

P/N	Input Interface	Output Interface	Input	Output	IR Extension	RS-232 Extension	PoE	Ethernet	Extender Cable	HD Audio	3D	HDCP
CMSI-46PL	HDMI	CAT5e/6/7 HDMI	4	4+2	Yes	Yes	Yes	-	CAT5e/6/7	Yes	Yes	Yes

4×4 HDMI Matrix over CAT5e/6/7 with 2 HDMI Outputs (60m)

CMSI-424L



The HDBaseT™ 4 by 4 HDMI Matrix over CAT5e/6/7 with two additional simultaneous HDMI outputs supports the transmission of video (resolutions up to 1080p Full HD and 1920x1200@60Hz), multichannel digital audio and control via IR, RS-232 or Web GUI/Telnet IP from four high definition sources to four HDBaseT outputs over a single CAT5e/6/7 cable (up to 60m) for each output. Output A and C have additional mirrored HDMI outputs.



It supports high resolution digital audio formats such as LPCM 7.1 CH, Dolby TrueHD, Dolby Digital Plus and DTS-HD Master Audio as well as 3D content that can be displayed when connecting a 3DTV and 3D source.



- HDMI, HDCP1.1 and DVI compliant
- Supports HDMI 3D features
- Supports resolutions VGA~WUXGA and 480i~1080p dependent upon the output display's EDID settings
- Supports distances up to 60 meters through CAT6/7 cables
- Supports 3D signal display dependent upon the output display's EDID settings
- Supports simultaneous HDMI and CAT 5e/6/7 display on outputs A and C
- Supports HDMI input up to 15 meters at 8-bit resolution or 10 meters at 12-bit resolution
- Supports bi-directional IR from input and output locations
- Supports RS-232, remote control, on-panel control and IP Control (Telnet or Web GUI)
- 1U size design
- Supports external and internal EDID settings
- Supports LPCM 7.1CH, Dolby TrueHD, Dolby Digital Plus and DTS-HD Master Audio transmission

P/N	Input Interface	Output Interface	Input	Output	IR Extension	RS-232 Extension	PoE	Ethernet	Extender Cable	HD Audio	3D	HDCP
CMSI-424L	HDMI	CAT5e/6/7 (HDMI)	4	4 (2)	Yes	Yes	-	-	CAT5e/6/7	Yes	Yes	Yes

HDMI Matrix

6×2 HDMI 4K UHD Matrix

CDPS-6H2HFS

The CDPS-6H2HFS allows HDMI signal from any of its six sources to be routed to and displayed on any of its two connected HDMI displays simultaneously. With fast switching technology the device can greatly eliminate the time required by swapping or turning ON/OFF the connected displays. It supports 4K UHD, 3D, 12-bit Deep Color, Hi-Def lossless audio and other features defined by HDMI specifications. The management of source/sink scenarios can be operated easily through frontpanel buttons, IR remote control, RS-232, Telnet or IP Control.

- Support six inputs and two outputs HDMI type A connector
- Displays any of six High-Definition sources on two HDTV displays, independently 3DTV Pass-Through
- Support HDTV resolutions up to 4K UHD (3840×2160/4096×2160@30 Hz)
- Supports audio extraction from HDMI input to Optical output, input audio sampling rate up to 192 kHz
- Ability to switch between any two sources within 1 second



- Supports LPCM 7.1-CH, Dolby TrueHD, and DTS-HD Master Audio on HDMI inputs and outputs
- Supports data rate 340 MHz / 10.2 Gbps and 1080p 12-bit Deep Color
- Cutting edge PIP Preview feature allows the display to show the video image from 5 unselected sources in a row of small windows on top of the selected source video

P / N	Interface	Input	Output	Deep Color	HD Audio	3D	HEC	ARC	4K×2K	CEC	EDID	HDCP
CDPS-6H2HFS	HDMI	6	2	Yes	Yes	Yes	-	-	Yes	Bypass	Yes	Yes

4×4 HDMI Seamless Quad Matrix

CDPS-44SM

The CDPS-44SM is an advanced 4 Way HDMI switch with integrated multi-view POP (Picture -out-of Picture) technology. This plug and play solution offers advanced control and display options for the integration of 4 sources onto 4 displays. It provides 3 output modes, Matrix, Dual and TV Wall. Matrix mode can route and switch just like a normal matrix, the Dual mode allows 2 sets of 2 selected sources to be displayed in a POP configuration and the TV Wall mode displays a selected source over 4 displays as if it were a single video image.

- HDMI, HDCP1.1 and DVI compliant
- Supports Deep Color 8/10/12-bit
- Seamless switching of HDMI sources
- Supports three different display modes: Matrix, Dual, and Video Wall
- Supports control via On-screen Display (OSD), RS232, Telnet (IP), IR Remote control and on-panel controls
- Supports Input resolutions of VGA to WUXGA (RB) and 480i to 1080p
- Supports Output resolutions of 480p~1080p
- Supports different input resolution and output resolution selectable from the OSD menu
- Supports high definition Audio formats: LPCM 2CH/6CH/8CH, Dolby Digital, DTS, Dolby Digital Plus, Dolby TrueHD and DTSHD Master Audio



P / N	Interface	Input	Output	Deep Color	HD Audio	3D	HEC	ARC	4K×2K	CEC	EDID	HDCP
CDPS-44SM	HDMI	4	4	Yes	Yes	-	-	-	-	-	-	Yes

4×4 / 4×2 HDMI 4K UHD Matrix

CMPRO-4H4H / CMPRO-4H2H

The CMPRO-4H4H/CMPRO-4H2H Matrixes are 4 by 4 and 4 by 2 HDMI Matrixes which allow HDMI signal from any of their four sources to be routed to and displayed on any of four/two connected HDMI displays simultaneously. With fast switching technology the device can greatly eliminate the time required by swapping or turning on/off the connected displays. It supports 3D, 3Gbps bandwidth, 12-bit Deep Color, Hi-Def lossless audio and other features defined by HDMI specifications. The management of source/sink scenarios can be operated easily through on-panel buttons, IR remote controller, RS-232 or Web GUI control.

- Supports HDTV resolutions up to 4K×2K@30 Hz
- Supports LPCM 7.1CH, Dolby TrueHD, and DTS-HD Master Audio
- Supports 1080p@60 Hz, Deep Color 48/36/30/24-bit
- Supports Internal/External EDID
- Supports IR, RS-232, and Web GUI controls



• CMPRO-4H4H



• CMPRO-4H2H

P / N	Interface	Input	Output	Deep Color	HD Audio	3D	HEC	ARC	4K×2K	CEC	EDID	HDCP
CMPRO-4H4H	HDMI	4	4	Yes	Yes	Yes	-	-	Yes	-	Yes	Yes
CMPRO-4H2H	HDMI	4	2	Yes	Yes	Yes	-	-	Yes	-	Yes	Yes

8×8 HDMI Matrix

CMSI-8H8HS

The 8×8 HDMI Matrix supports the transmission of Video (up to 1080p Full HD/1920×1200@60 Hz) with multichannel digital audio from up to eight high definition sources to up to eight HDMI outputs and allowing any source to be independently displayed on any monitor. Also, the unit can be controlled via IR, RS-232, Telnet or the front panel button controls.

- HDMI, HDCP 1.1 and DVI compliant
- Supports HDMI features including 3D
- Supports LPCM 7.1CH, Dolby TrueHD, Dolby Digital Plus and DTS-HD Master Audio transmission
- Supports resolutions VGA~WUXGA and 480i~1080p dependent upon the output display's EDID settings
- Supports 3D signal display dependent upon the output display's EDID settings
- Supports HDMI input up to 15 meters at 8-bit resolution or 10 meters at 12-bit resolution and HDMI output up to 15 meters at 8-bit/12-bit
- Supports IR extension
- Supports RS-232, remote control, on-panel control and IP Control (Telnet)
- 2U size design



P / N	Interface	Input	Output	Deep Color	HD Audio	3D	HEC	ARC	4K×2K	CEC	EDID	HDCP
CMSI-8H8HS	HDMI	8	8	Yes	Yes	Yes	-	-	-	-	Yes	Yes

4×4 HDMI Matrix

CMLUX-44E

The CMLUX-44E is the ideal solution for connecting all your HDMI devices, and thanks to the included remote this system gives you complete control over your media environment. Furthermore, the HDMI Matrix can transfer Deep Color video and bit stream digital audio with maximum performance and also supports HDMI v1.3, HDCP 1.1 and DVI 1.0. Please follow this manual to begin enjoying the benefits of your HDMI Matrix. We suggest keeping it in a safe place for future reference. Multi-source input with multi-display output control.

- Deep Color Mode and a new lossless compressed digital audio
- Has LED input source indicators for each output option
- PC and HDTV resolutions from VGA to UXGA and 480i to 1080p
- Controls via RS-232, IR remote controller and IR extender
- Supports LPCM 7.1CH, Dolby TrueHD, Dolby Digital Plus and DTS-HD Master Audio transmission
- HDMI cable distance 1080p 12-bit I/O up to 15/15 meters away



- High performance Matrix with four inputs and four outputs
- When the HDMI signal passes through the system it is Re-timed and level compensated to preserve signal
- Switchable EDID function for choosing EDID to display

P/ N	Interface	Input	Output	Deep Color	HD Audio	3D	HEC	ARC	4K×2K	CEC	EDID	HDCP
CMLUX-44E	HDMI	4	4	Yes	Yes	Yes	-	-	-	-	Yes	Yes

4×4 / 4×2 / 2×4 / 2×2 HDMI Matrix

CMLUX-44S / CMLUX-42S / CMLUX-24S / CMLUX-22S

The 4 by 4/ 4 by 2/ 2 by 4/ 2 by 2 HDMI Matrix with HD Audio/3D series provides the excellent solution for your convenience use, it also provides you a variety of choices on where to play your images with remote controller. The HDMI matrix can transfer Deep Color video and bit stream digital audio with maximum performance and it supports HDMI ,HDCP and DVI. High performance HDMI Matrix of four input and four output with remote control for you to link with your favorite HDMI devices to enjoying movies, music, or games at once. When HDMI signal progresses through the system, it is re-timed, and level-compensated. Define HDCP, HDMI and DVI source. The LED light will light up to define the input sources format. Switchable EDID function for choosing the native resolution to display.

- Deep Color 12 bit and new lossless compressed digital audio
- The HDMI input is compensated, clock/phase adjusted, and jitter eliminated so the output is a brand new standard HDMI signal
- Compatible with all HDMI sources and displays
- PC and HDTV resolutions from VGA to UXGA and 480i to 1080p
- Supports RS-232 control



• CMLUX-44S



• CMLUX-22S

- Supports IR remote control and IR extender
- HDMI cable distance test with 1080p/8 bit resolution, the Input/Output source can run up to 15/15 meters. with 1080p/12 bit the Input/Output source can run up to 15/6 meters
- Supports LPCM 7.1CH, Dolby TrueHD, Dolby Digital Plus and DTS-HD Master Audio transmission

P/ N	Interface	Input	Output	Deep Color	HD Audio	3D	HEC	ARC	4K×2K	CEC	EDID	HDCP
CMLUX-44S	HDMI	4	4	Yes	Yes	Yes	-	-	-	-	Yes	Yes
CMLUX-42S	HDMI	4	2	Yes	Yes	Yes	-	-	-	-	Yes	Yes
CMLUX-24S	HDMI	2	4	Yes	Yes	Yes	-	-	-	-	Yes	Yes
CMLUX-22S	HDMI	2	2	Yes	Yes	-	-	-	-	-	Yes	Yes

4×4 / 2×4 / 2×2 HDMI Matrix

CHMX-44 / CHMX-24 / CHMX-22

The 4 by 4 / 4 by 2 / 2 by 4 / 2 by 2 HDMI Matrix series is a high performance HDMI Matrix with remote control. It offers you maximum convenience in HDMI signal distribution when you have multiple HDMI sources and displays to connect together. Each of the four HDMI sources can be directed to any one of the four HDMI displays so each can show different sources. When HDMI signal progresses through CHMX-44, it is re-timed, and level-compensated, so the output is a regenerated HDMI signal that can travel for another 25 meters. It can also be cascaded to multiple tiers.

- HDMI input is compensated, clock/phase adjusted, and jitter eliminated so the output is a brand new standard HDMI signal
- Input source LED indicators on each output select
- Ideal for home theater integration, conference room and retail stores
- Compatible with all HDMI sources and displays
- Supports high resolution input/output:
PC: VGA, SVGA, XGA, SXGA and UXGA (1600×1200)
HDTV: 480i, 576i, 480p, 576p, 1080i, and 1080p
- RS-232 control
- IR remote control



• CHMX-44



• CHMX-24

• CHMX-22

P/ N	Interface	Input	Output	Deep Color	HD Audio	3D	HEC	ARC	4K×2K	CEC	EDID	HDCP
CHMX-44	HDMI	4	4	-	-	-	-	-	-	-	Yes	Yes
CHMX-24	HDMI	2	4	-	-	-	-	-	-	-	Yes	Yes
CHMX-22	HDMI	2	2	-	-	-	-	-	-	-	Yes	Yes

8x8 HDMI Matrix with Simultaneous CAT6 Outputs

CMSI-8H8HC

The 8x8 HDMI Matrix with simultaneous CAT6 and HDMI outputs connects eight HDMI sources to 16 displays. This matrix features 8 HDMI outputs and each HDMI output is mirrored to provide a Dual-CAT-Cable output which runs simultaneously. Connect a CH-1106RX Receiver to each of the Dual-CAT-Cable outputs to extend the HDMI signal up to 45m for multi-room connectivity. This matrix switcher can be controlled via the supplied IR Remote Control, RS-232, Telnet, Web GUI or by using the selection buttons on the front panel. This device supports 'Deep Color', High Definition Audio, and 3D signal compatibility.

- HDMI, HDCP 1.1 and DVI compliant
- Supports HDMI 3D pass-through
- Supports resolutions from VGA~WUXGA@60RB and HD resolutions from 480i~1080p dependent upon the display's EDID settings
- Supports transmission distances up to 45 meters through Dual CAT6 cables
- Supports 3D signal display dependent upon the display's EDID settings
- Supports simultaneous HDMI and CAT6 outputs
- Supports HDMI input up to 15 meters at 8-bit resolution or 10 meters at 12-bit resolution; CAT6 output up to 45 meters at 8-bit resolution
- Supports IR pass-back through CAT6 for source control



- Supports RS-232, remote control, on-panel control and IP Control (Telnet & Web GUI)
- 2U size design
- Supports external and internal EDID settings
- Supports LPCM 7.1CH, Dolby TrueHD, Dolby Digital Plus and DTS-HD Master Audio transmission

P/ N	Input	Output	Deep Color	HD Audio	3D	HEC	ARC	4Kx2K	CEC	EDID	HDCP
CMSI-8H8HC	8xHDMI	8xHDMI, 8xDual CAT6	Yes	Yes	Yes	-	-	-	-	Yes	Yes

4x4 HDMI to Dual CAT6/7 Matrix

CMLUX-4H4CAT

The CMLUX-4H4CAT is a high performance device, boasting features such as a remote control, IR blaster and IR receiver. Compatible with Deep Color Video and high definition digital audio, this device has the ability to direct any of its four HDMI sources to any of the four HDMI displays, with each display showing a different source. CAT 6 cables for long operating distance (50m or 45m at 1080p 8 bits). Four individual output IR blasters for controlling input sources.



- Deep Color Video of up to 36 bits (12 bits/color)
- Dolby True HD, Dolby Digital Plus and DTS-HD Master Audio digital audio
- When the HDMI signal passes through this device it is compensated, clock/phase adjusted and jitter free
- Supports PC and HDTV resolutions from VGA to UXGA and 480i to 1080p
- Supports RS-232 control and IR remote control with an IR extender and blaster

P/ N	Input	Output	Deep Color	HD Audio	3D	HEC	ARC	4Kx2K	CEC	EDID	HDCP
CMLUX-4H4CAT	4xHDMI	4xDual CAT6	Yes	Yes	Yes	-	-	-	Bypass	Yes	Yes

DVI Matrix

4×4 / 2×2 DVI Matrix

CMPRO-4D4D / CMPRO-2D2D

The 4 by 4 / 2 by 2 DVI matrix with 4K×2K supported which allows DVI signal from any of its four/two sources to be routed to and displayed on any of its four/two connected DVI displays simultaneously. It supports 3D, 3Gbps bandwidth, 12-bit Deep Color, Hi-Def lossless audio and other features defined by HDMI/DVI specifications. The management of source/sink scenarios can be operated easily through on-panel buttons, IR remote control and RS-232 controls.

- Support HD resolutions up to 4K×2K
- Supports 7.1CH of LPCM, Dolby TrueHD, and DTS-HD Master Audio with HDMI to DVI adaptor
- Supports Deep Color up to 1080p 48-bit



- Supports Internal/External EDID
- Supports IR, RS-232 and on-panel controls

P / N	Interface	Input	Output	Deep Color	HD Audio	3D	HEC	ARC	4K×2K	CEC	EDID	HDCP
CMPRO-4D4D	DVI	4	4	Yes	Yes	Yes	-	-	Yes	-	Yes	Yes
CMPRO-2D2D	DVI	2	2	Yes	Yes	Yes	-	-	Yes	-	Yes	Yes

8×8 DVI Matrix with Audio

CMSI-8D8DSA



The 8 by 8 DVI Matrix with Audio is the perfect choice for the switching and distribution of DVI sources. Connect up to eight DVI sources to eight DVI displays allowing any source to be independently displayed on any monitor. Each DVI input and output has a corresponding 3.5mm mini-jack connection allowing for audio to be distributed. The Matrix can be controlled via its front panel, IR, RS-232 or Telnet over IP. The matrix supports a full range of PC and HDTV timings up to WUXGA and 1080p, 2.25Gbps bandwidth, 12-bit Deep Color, and 3D.

- HDMI, HDCP 1.1 and DVI compliant
- Supports HDMI 3D feature (with HDMI to DVI adaptor cable)
- Supports resolutions to VGA ~ WUXGA and 480i~1080p dependent upon the output display's EDID settings
- Supports stereo audio input and output via 3.5mm mini-jack cables
- Supports 3D signal dependent upon the output display's EDID settings
- Supports IR extension
- Supports RS-232, remote control, on-panel control and IP Control (Telnet)
- 2U size design

8×8 DVI Matrix

CMSI-8D8DS



The 8 by 8 DVI Matrix is the perfect choice for the switching and distribution of DVI sources. Connect up to eight DVI sources to eight DVI displays allowing any source to be independently displayed on any monitor. The Matrix can be controlled via its front panel, IR, RS-232 or Telnet over IP. The matrix supports a full range of PC and HDTV timings up to WUXGA and 1080p, 2.25Gbps bandwidth, 12-bit Deep Color, and 3D.

- HDMI, HDCP 1.1 and DVI compliant
- Supports HDMI 3D feature (with HDMI to DVI adaptor cable)
- Supports resolutions to VGA ~ WUXGA and 480i~1080p dependent upon the output display's EDID settings
- Supports 3D signal dependent upon the output display's EDID settings
- Supports IR extension
- Supports RS-232, remote control, on-panel control and IP Control (Telnet)
- 2U size design

P / N	Interface	Input	Output	Deep Color	HD Audio	3D	HEC	ARC	4K×2K	CEC	EDID	HDCP
CMSI-8D8DSA	DVI	8	8	Yes	Yes	Yes	-	-	-	-	Yes	Yes
CMSI-8D8DS	DVI	8	8	Yes	Yes	Yes	-	-	-	-	Yes	Yes

3G-SDI Matrix

16x16 3G-SDI Modularized Matrix

CMSDI-1616S



The CMSDI-1616S Matrix can switch and distribute up to sixteen SDI sources to any sixteen SDI sinks, providing bandwidth up to 2.970 Gb/s for 3G-SDI video support. In addition, this matrix also features IP control allowing users to access and control the matrix remotely.

- Supports SDI input/output video formats:
 - SD-SDI (SMPTE 259M-C, at bitrates of 270 Mbit/s)
 - HD-SDI (SMPTE 292M, at bitrates of 1.485Gbit/s and 1.485/1.001 Gbit/s)
 - 3G-SDI (SMPTE 424M/425M-A and B, at bitrates of 2.970 Gbit/s and 2.970/1.001 Gbit/s)
- Signal equalized and re-clocked to improve signal transmission distances
- Supports signal input and output distances of up to 250m for SD-SDI signals, 200m for HD-SDI signals and 100m for 3GSDI signals
- Supports audio sampling rate at 48 kHz
- Connects with other units to extend your signal over longer distances
- 3U rack mountable design

P/N	Input Interface	Output Interface	Input	Output	Max. Output TV Timing	Max. Output PC Timing	External Audio	Extender Cable
CMSDI-1616S	SDI	SDI	16	16	3G-SDI	-	-	N/A

16x4 / 12x4 / 8x4 / 4x4 3G-SDI Matrix

CMSDI-164 / CMSDI-124 / CMSDI-84 / CMSDI-44



• CMSDI-164



• CMSDI-44

The 3G-SDI Matrix series allows SD-SDI, HD-SDI and 3G-SDI signals to be shown on SDI displays while ensuring high bit-rates of 2.970 Gbps to give you fast signal transmission without signal loss. For professionals, this means that it is now easier to switch multiple 3G-SDI signals and split display of them on up to four SDI-equipped displays simultaneously. Additionally, these units can be controlled with the supplied IR remote, the front panel keys or RS-232 control functions.

- 3G-SDI input sources can be selected and split or switched to four 3G-SDI displays simultaneously
- Operation at 2.970 Gbps, 2.970/1.001 Gbps, 1.485 Gbps, 1.485/1.001 Gbps and 270 Mbps
- Supports SMPTE 425M (Level A and Level B), SMPTE 424M, SMPTE 292M, SMPTE 259M-C
- Connect using other units to extend your signal over long distances
- Signal is equalized and re-clocked
- Supports signal input and output distances of up to 300m for SD signals, 200m for HD signals and 100m for 3G signals

P/N	Input Interface	Output Interface	Input	Output	Max. Output TV Timing	Max. Output PC Timing	External Audio	Extender Cable
CMSDI-164	SDI	SDI	16	4	3G-SDI	-	-	N/A
CMSDI-124	SDI	SDI	12	4	3G-SDI	-	-	N/A
CMSDI-84	SDI	SDI	8	4	3G-SDI	-	-	N/A
CMSDI-44	SDI	SDI	4	4	3G-SDI	-	-	N/A

Component Video Matrix

4x4 Component Video Matrix with Coaxial Digital Audio

CCMX-44DA

High performance Component Matrix with Digital/Analog Audio offers you maximum convenience in HDTV audio/video signal distribution when you have multiple sources to display. Each of the four HDTV audio/video sources can be directed to any one of the four outputs and or all four displays can show one identical output source at the same time. It provides a variety of choices on where to play your image with remote controller. Each input can be direct to any/all output. Audio format of Digital or Analog both acceptable.

- Provides 4 by 4 matrix input/output of Component (YPbPr/YCbCr) video and L/R & Coaxial digital audio signal
- Buffered video and audio output
- Input source LED indicators on each output select
- Ideal for home theater integration, conference room and retail stores
- Supports high resolution input/output
HDTV: 480i, 576i, 480p, 576p, 1080i, and 1080p
- Supports analog stereo L/R audio input and output
- Support Coaxial audio input and output
- IR remote control
- RS-232 control



P/ N	Interface	Input	Output	Deep Color	HD Audio	3D	HEC	ARC	4Kx2K	CEC	EDID	HDCP
CCMX-44DA	Component	4	4	-	-	-	-	-	-	-	-	-

4x4 / 4x2 Component Video Matrix

CCMX-44 / CCMX-42

The CCMX-44/CCMX-42 is a high performance Component + L/R Audio Matrix with remote control. It offers you maximum convenience in HDTV audio/video signal distribution when you have multiple sources and displays to connect together. Each of the four HDTV audio/ video sources can be directed to any one of the four outputs, so four displays can show 4 identical or 4 different sources at the same time.

- Provides 4 by 4 matrix input/output of Component (YPbPr/YCbCr) video and L/R audio signal
- Buffered video and audio output
- Supports HDTV resolution input/output: 480i, 576i, 480p, 576p, 1080i, and 1080p
- Supports analog stereo L/R audio input and output
- IR remote control
- RS-232 control



• CCMX-44



• CCMX-42

P/ N	Interface	Input	Output	Deep Color	HD Audio	3D	HEC	ARC	4Kx2K	CEC	EDID	HDCP
CCMX-44	Component	4	4	-	-	-	-	-	-	-	-	-
CCMX-42	Component	4	2	-	-	-	-	-	-	-	-	-

Infrared Matrix

8×8 Bidirectional Infrared Matrix

CMIR-882



The Bi-directional Infrared Matrix is designed to work alongside the 8×8 HDMI matrix, providing control of up to 8 source devices from up to 8 display locations. Using the original or programmable remote controls, source devices such as DVD/Blu-ray players or satellite/set-top boxes can be controlled from any location.

- Supports independent IR input and output selection and control
- Supports an IR frequency range of 30 kHz~50 kHz
- Use your existing remote controls or programmable/universal remote controls
- Supports bi-directional IR from input and output locations
- Supports RS-232 control, IR remote control and on-panel control
- 1U size design

Note: This device does not support the sending of audio/video signals, it only transmits and receives infra-red signals.

4×4 Infrared Matrix

CMIR-44



The 4 by 4 Infrared Matrix is designed to control up to four sources from four display locations, using the original remote or universal remote controls. You can control DVD/Blu-ray players, satellite and set-top boxes. A true matrix design allows any of the four inputs to be routed to any (or all) of the IR outputs giving full independent source to screen (or screen to source) control.

With the added benefit of an IR master input and output, which can be used to control an HDMI matrix, this product will allow you to fully control your sources and displays. Simply place the IR extender near the display and put the IR blaster in a position so that all devices will receive the IR signal. So, if you are looking for a way to extend the control of IR, The 4 by 4 Infrared Matrix is a great choice.

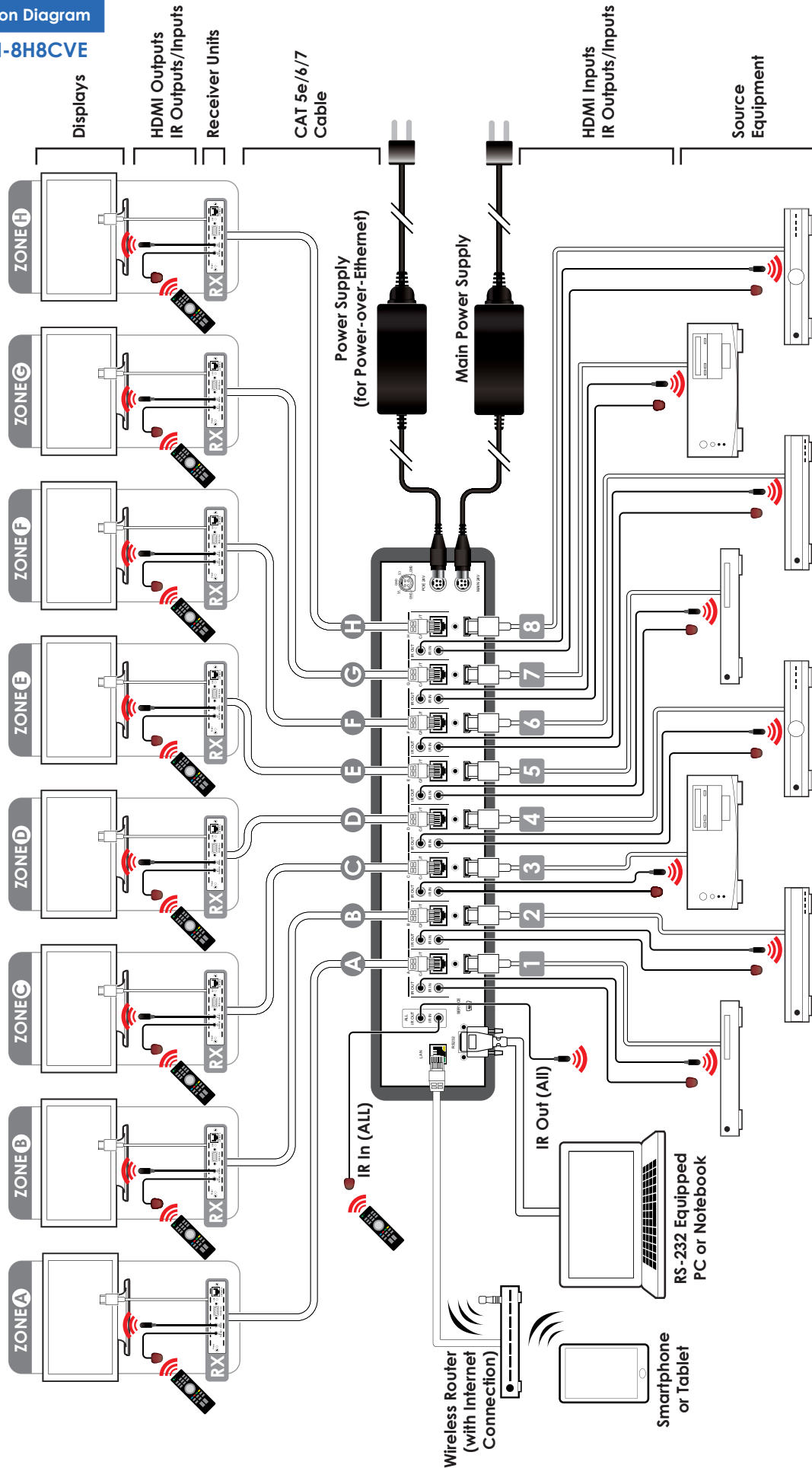
- Supports independent IR input and output selection and control
- Supports an IR frequency range of 30 kHz~50 kHz
- Use your existing remote controls or programmable/universal remote controls
- Supports IR remote control and on-panel control

Note: This device does not support the sending of audio/video signals, it only transmits and receives infra-red signals.

P/ N	Interface	Input	Output	Deep Color	HD Audio	3D	HEC	ARC	4K×2K	CEC	EDID	HDCP
CMIR-882	IR	8+8+1	8+8+1	-	-	-	-	-	-	-	-	-
CMIR-44	IR	4+1	4+1	-	-	-	-	-	-	-	-	-

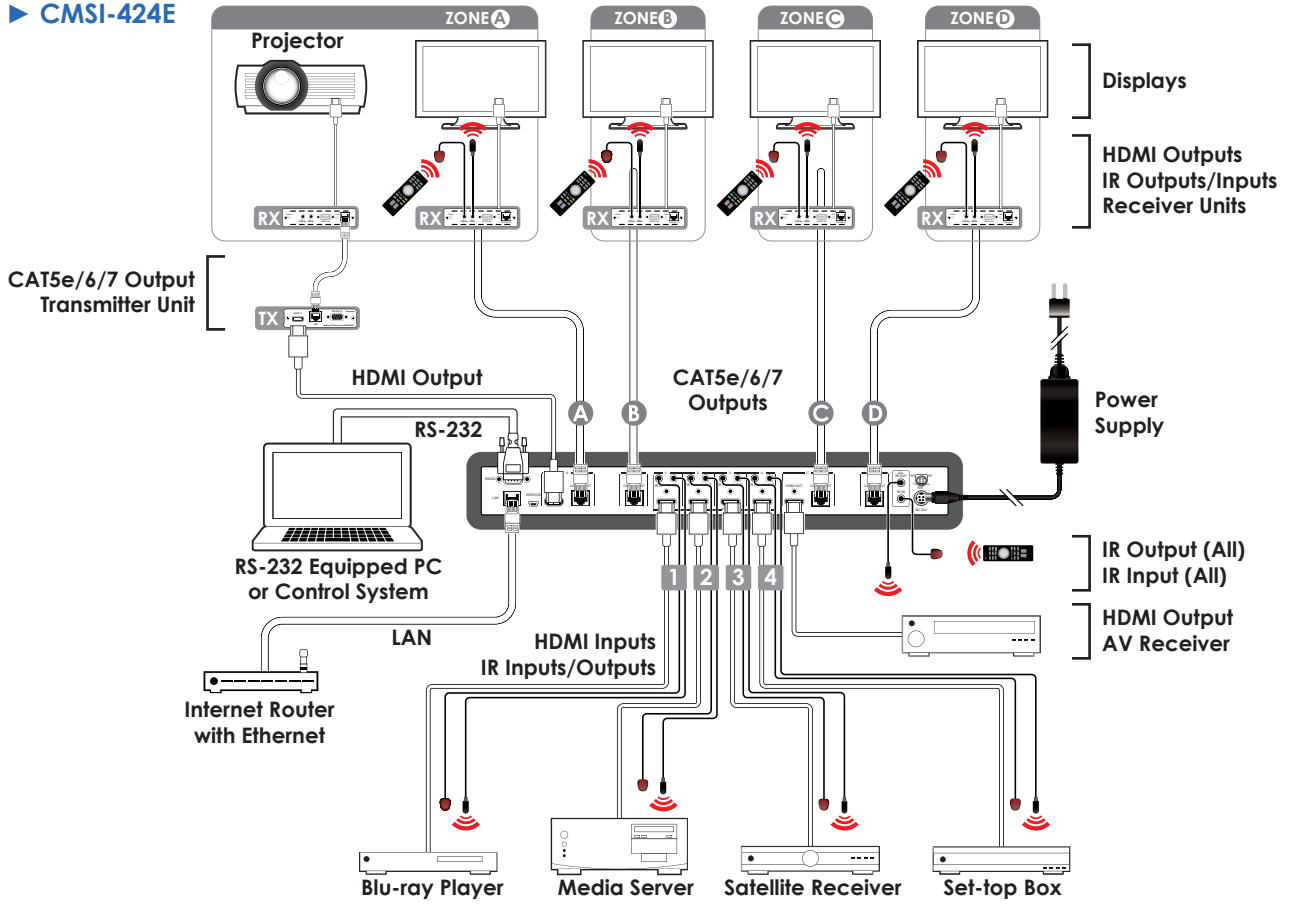
Connection Diagram

► CMSI-8H8CVE



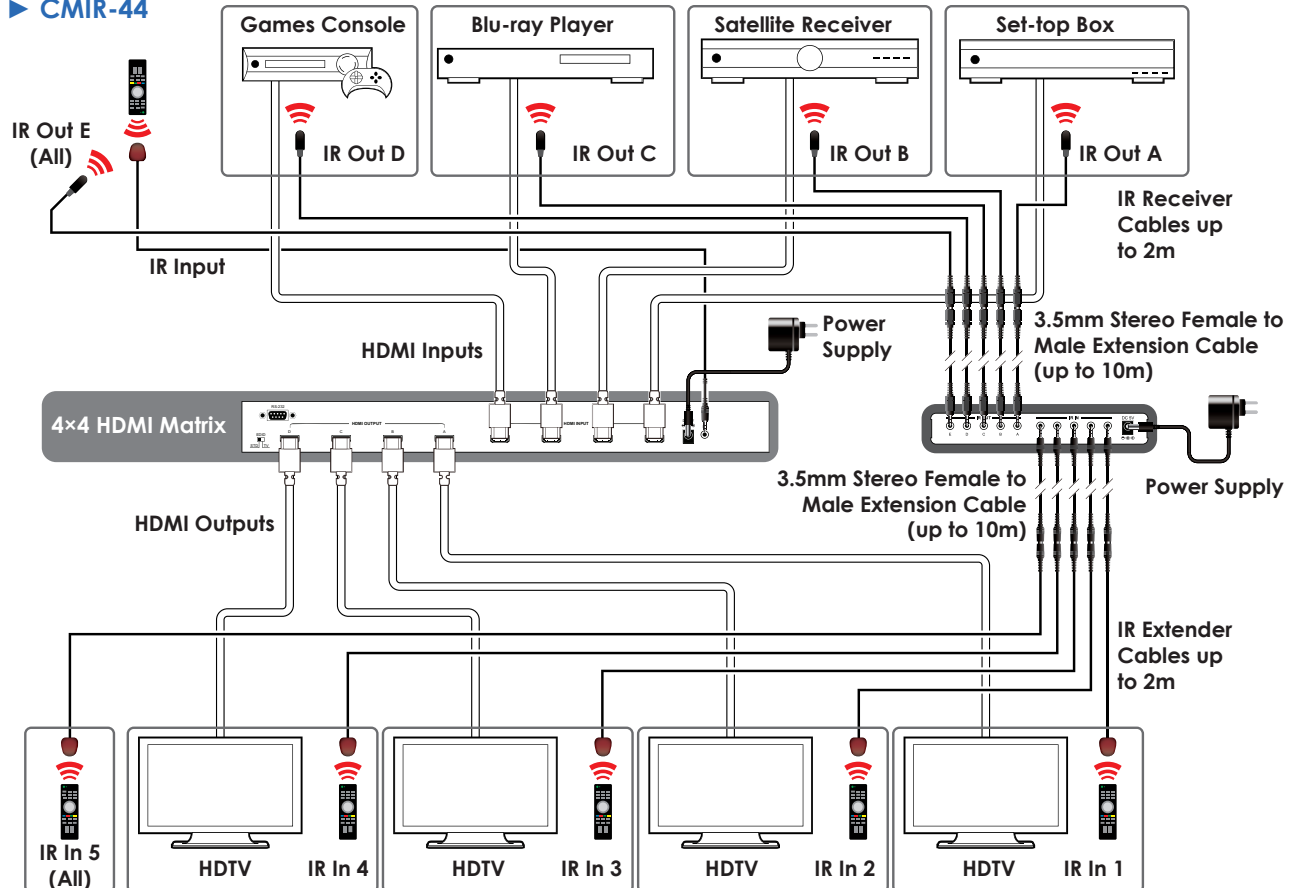
Connection Diagram

► **CMSI-424E**



Connection Diagram

► **CMIR-44**



HDMI To HDBaseT Splitter

1×8 HDMI to CAT5e/6/7 Splitter (100m/60m)

CHDBT-1H7CE / CHDBT-1H7CL

The CHDBT-1H7CE/ CHDBT-1H7CL can split and distribute a single HDMI input, 2-way IR control and LAN serving to up to seven CAT5e/6/7 outputs and includes a simultaneous HDMI bypass output. It supports resolutions up to 1080p Full HD, 4K×2K timing, 3D and multi-channel digital audio formats (such as LPCM 7.1CH, Dolby TrueHD, Dolby Digital Plus and DTS-HD). The HDMI bypass output can be connected to an HDMI display or cascaded to another splitter. The CAT5e/6/7 outputs can be connected to CAT5e/6/7 to HDMI receivers to extend the operating distance up to 100/60 meters.

Additionally, the LAN connectivity will allow a 100BaseT network to be served to smart TVs or games consoles. The Power over Ethernet (PoE) function can power compatible receivers, providing greater flexibility in installations.

- HDMI with 4K×2K resolution and 3D support, HDCP and DVI compliant
- Simultaneous HDMI and CAT5e/6/7 outputs
- Supports one HDTV and seven CAT5e/6/7 outputs
- Supports data rate from 300 Mbps up to 3 Gbps
- Supports a wide range of PC resolutions from VGA to WUXGA (RB) and HDTV resolutions up to 4K×2K (3840×2160@30 Hz and 4096×2160@24 Hz)



• CHDBT-1H7CE

- Supports transmission of High Definition audio: LPCM 7.1CH, Dolby TrueHD, Dolby Digital Plus and DTS-HD Master Audio (32 kHz~192 kHz sample rate)
- Supports distances up to 100/60 meters over CAT5e/6/7 cables
- Supports selection of Standard or TV EDID settings
- Supports control of devices via 2-way IR
- 3D signal display is dependent on the TV/Display's EDID settings
- 1H7CE supports Ethernet network rates up to 100Mbps
- 1H7CE supports PoE with compatible Receiver units

P/N	Input Interface	Output Interface	Input	Output	IR Extension	RS-232 Extension	PoE	Ethernet	Extender Cable	HD Audio	3D/4K	HDCP
CHDBT-1H7CE	HDMI	CAT5e/6/7 HDMI	1	7+1	Yes	-	Yes	Yes	CAT5e/6/7	Yes	Yes	Yes
CHDBT-1H7CL	HDMI	CAT5e/6/7 HDMI	1	7+1	Yes	-	-	-	CAT5e/6/7	Yes	Yes	Yes

1×4 HDMI to CAT5e/6/7 Splitter (100m/60m)

CHDBT-1H3CE / CHDBT-1H3CL

The CHDBT-1H3CE/CHDBT-1H3CL can split and distribute a single HDMI input, 2-way IR control and LAN serving to up to three CAT5e/6/7 outputs and includes a simultaneous HDMI bypass output. It supports resolutions up to 1080p Full HD, 4K×2K timing, 3D and multi-channel digital audio formats (such as LPCM 7.1CH, Dolby TrueHD, Dolby Digital Plus and DTS-HD). The HDMI bypass output can be connected to an HDMI display or cascaded to another splitter. The three CAT5e/6/7 outputs can be connected to CAT5e/6/7 to HDMI receivers to extend the operating distance up to 100/60 meters.

Additionally, the LAN connectivity will allow a 100BaseT network to be served to smart TVs or games consoles. The Power over Ethernet (PoE) function can power compatible receivers, providing greater flexibility in installations.

- HDMI with 4K×2K resolution and 3D support, HDCP and DVI compliant
- Simultaneous HDMI and CAT5e/6/7 outputs
- Supports data rate from 300 Mbps up to 3 Gbps
- Supports a wide range of PC resolutions from VGA to WUXGA (RB) and HDTV resolutions up to 4K×2K (3840×2160@30 Hz and 4096×2160@24 Hz)



• CHDBT-1H3CE

- Supports transmission of High Definition audio: LPCM 7.1CH, Dolby TrueHD, Dolby Digital Plus and DTS-HD Master Audio (32 kHz~192 kHz sample rate)
- Supports distances up to 100/60 meters over CAT5e/6/7 cable
- Supports control of devices via 2-way IR
- 3D signal display is dependent on the TV/Display's EDID settings
- 1H3CE supports PoE with compatible Receiver units
- 1H3CE supports Ethernet network rates up to 100 Mbps
- 1H3CE supports selection of Standard or TV EDID settings

P/N	Input Interface	Output Interface	Input	Output	IR Extension	RS-232 Extension	PoE	Ethernet	Extender Cable	HD Audio	3D/4K	HDCP
CHDBT-1H3CE	HDMI	CAT5e/6/7 HDMI	1	3+1	Yes	-	Yes	Yes	CAT5e/6/7	Yes	Yes	Yes
CHDBT-1H3CL	HDMI	CAT5e/6/7 HDMI	1	3+1	Yes	-	-	-	CAT5e/6/7	Yes	Yes	Yes

1×2 HDMI to CAT5e/6/7 Splitter (100m/60m)

CHDBT-1H1CE / CHDBT-1H1CL

The CHDBT-1H1CE/ CHDBT-1H1CL can convert a single HDMI input, 2-way IR and RS-232 control and LAN serving to a single CAT5e/6/7 output and includes a simultaneous HDMI bypass output. It supports resolutions up to 1080p Full HD, 4K×2K timing, 3D and multi-channel digital audio formats (such as LPCM 7.1CH, Dolby TrueHD, Dolby Digital Plus and DTSHD). The HDMI bypass output can be connected to an HDMI display or cascaded to another splitter. The CAT5e/6/7 output can be connected to a CAT5e/6/7 to HDMI receiver to extend the operating distance up to 100/60 meters.

Additionally, the LAN connectivity will allow a 100BaseT network to be served to smart TVs or games consoles. The bi-directional Power over Ethernet (PoE) function provides greater flexibility in installations.

- HDMI with 4K×2K resolution and 3D support, HDCP and DVI compliant
- Simultaneous HDMI and CAT5e/6/7 outputs
- Supports data rate from 300 Mbps up to 3 Gbps
- Supports a wide range of PC resolutions from VGA to WUXGA (RB) and HDTV resolutions up to 4K×2K (3840×2160@30 Hz and 4096×2160@24 Hz)



- Supports transmission of High Definition audio: LPCM 7.1CH, Dolby TrueHD, Dolby Digital Plus and DTS-HD Master Audio (32 kHz~192 kHz sample rate)
- Supports distances up to 100/60 meters over CAT5e/6/7 cables
- Supports control of devices via RS-232 and 2-way IR
- 3D signal display is dependent on the TV/Display's EDID settings
- 1H1CE supports Ethernet network rates up to 100 Mbps
- 1H1CE supports PoE with compatible Receiver units

P/N	Input Interface	Output Interface	Input	Output	IR Extension	RS-232 Extension	PoE	Ethernet	Extender Cable	HD Audio	3D/4K	HDCP
CHDBT-1H1CE	HDMI	CAT5e/6/7 HDMI	1	1+1	Yes	Yes	Yes	Yes	CAT5e/6/7	Yes	Yes	Yes
CHDBT-1H1CL	HDMI	CAT5e/6/7 HDMI	1	1+1	Yes	Yes	-	-	CAT5e/6/7	Yes	Yes	Yes

1×3 HDMI to CAT5e/6/7 Splitter (100m)

CHDBT-1H2CE

The HDMI Splitter over HDMI and CAT5e/6/7 supports resolutions up to 1080p Full HD, Deep Color, 4K×2K, 3D and multi-channel digital audio formats such as LPCM 7.1CH, Dolby TrueHD, Dolby Digital Plus and DTS-HD from Hi-Def sources to an HDMI and 2 CAT5e/6/7 outputs. This splitter has the ability to provide you with simultaneous HDMI and 2 CAT5e/6/7 outputs where the HDMI output can be connected to display or cascaded with another splitter. The CAT5e/6/7 outputs can be connected to CAT5e/6/7 to HDMI receivers to extend the operating distance up to 100 meters. The LAN connectivity will allow a 100BaseT network to be served to both CAT outputs.

- HDMI with 4K×2K resolution and 3D support, HDCP and DVI compliant
- Simultaneous HDMI and CAT5e/6/7 outputs
- Supports Deep Color up to 1080p 36-bit
- Supports a wide range of PC resolutions from VGA to WUXGA (RB) and HDTV resolutions up to 4K×2K (3840×2160@30 Hz and 4096×2160@24 Hz)
- Supports transmission of High Definition audio: LPCM 7.1CH, Dolby TrueHD, Dolby Digital Plus and DTS-HD Master Audio (32 kHz~192 kHz sample rate)
- Simultaneous transmission of uncompressed data over a single CAT6/CAT5e cable up to 100m/328ft



- HDBaseT 5Play™ convergence: uncompressed high definition Video and Audio, LAN serving, Power over Ethernet and RS-232/IR controls
- Supports PoE with compatible Receiver units

P/N	Input Interface	Output Interface	Input	Output	IR Extension	RS-232 Extension	PoE	Ethernet	Extender Cable	HD Audio	3D/4K	HDCP
CHDBT-1H2CE	HDMI	CAT5e/6/7 HDMI	1	2+1	Yes	Yes	Yes	Yes	CAT5e/6/7	Yes	Yes	Yes

CAT5e/6/7 to 2 HDMI Receiver with Bidirectional 24V PoE

CHDBR-2HE

The CHDBR-2HE is a CAT5e/6/7 over HDMI Receiver accepts from the transmitter unit the signal of resolutions up to 1080p Full HD, 4Kx2K timing, 3D and multi-channel digital audio formats and sends to two HDTV outputs. The HDMI can be connected to HDMI display for instant nearby display and the CAT5e/6/7 can be connected to CAT5e/6/7 to HDMI Transmitter for distance up to 100 meters with Bidirectional PoE feature. Further, a total of 100Mbps Ethernet transmission rate allows all connected device to share the Ethernet service and Bi-directional PoE provides PoE to the Transmitter or received from compatible PoE Transmitter through CAT5e/6/7.

- HDMI with 3D, 4Kx2K support, HDCP and DVI compliant
- Simultaneous transmission of uncompressed data over a single CAT5e/6/7 cable up to 100m/328ft
- HDMI outputs play identical video signal simultaneously
- Supports video data rate at 300 MHz/10.2 Gbps
- Supports wide range of PC resolutions from VGA to WUXGA and HDTV resolutions up to 4Kx2K
- High definition audio support up to LPCM 7.1CH, Dolby TrueHD, Dolby Digital Plus and DTS-HD Master Audio
- Supports audio sampling rates from 32 kHz to 192 kHz



- Supports Ethernet transmission rate up to 100 Mbps
- Provides 24V DC power to or from a compatible PoE Transmitter through CAT5e/6/7 cable
- Supports bi-directional Infrared and RS-232 control
- Supports USB service port

P/N	Input Interface	Output Interface	Input	Output	IR Extension	RS-232 Extension	PoE	Ethernet	Extender Cable	HD Audio	3D/4K	HDCP
CHDBR-2HE	CAT5e/6/7	HDMI	1	2	Yes	-	Yes	Yes	CAT5e/6/7	Yes	Yes	Yes

HDMI Splitter

1x8 / 1x4 HDMI 4K UHD Splitter

CPRO-8ER / CPRO-4ER

This range of high performance HDMI splitters provide one HDMI in to eight HDMI outputs and support 4Kx2K, 3D, 12-bit Deep Color as well as High definition Lossless Audio. With its 3Gbps bandwidth and the additional features of the latest HDMI standards you can be sure of great HDMI distribution.

- Supports HDTV resolutions up to 4Kx2K/30Hz
- HDMI and DVI compatible
- Supports 1080p@60Hz, Deep Color 12-bit
- Supports LPCM 7.1CH, Dolby TrueHD and DTS-HD Master Audio
- Supports 3D
- Supports System reset and EDID selection functions



• CPRO-8ER



• CPRO-4ER

P/N	Interface	Input	Output	Deep Color	HD Audio	3D	HEC	ARC	4Kx2K	CEC	EDID	HDCP
CPRO-8ER	HDMI	1	8	Yes	Yes	Yes	-	-	Yes	Bypass	Yes	Yes
CPRO-4ER	HDMI	1	4	Yes	Yes	Yes	-	-	Yes	Bypass	Yes	Yes

1×16 / 1×8 / 1×4 / 1×2 HDMI 4K UHD Splitter

CPRO-16E / CPRO-8E / CPRO-4E / CPRO-2E

The CPRO-16E/CPRO-8E/CPRO-4E/CPRO-2E Splitter can distribute one HDMI input to up to sixteen/eight/four/two simultaneous HDMI outputs and supports 4K×2K resolution, 3D video, 12-bit Deep Color as well as High Definition Lossless Audio. With its 300 MHz/9 Gbps bandwidth it supports the latest HDMI standards so you can be sure of superior HDMI distribution.

- Supports HDTV resolutions up to 4K×2K@30 Hz
- Supports PC resolutions of VGA to WUXGA
- HDMI and DVI compatible
- Fully HDCP compliant
- Supports 1080p@60 Hz, Deep Color 12-bit
- Supports LPCM 7.1 CH, Dolby TrueHD, and DTS-HD Master Audio
- Supports 3D signal



• CPRO-16E



• CPRO-8E



• CPRO-4E



• CPRO-2E

P/N	Interface	Input	Output	Deep Color	HD Audio	3D	HEC	ARC	4K×2K	CEC	EDID	HDCP
CPRO-16E	HDMI	1	16	Yes	Yes	Yes	-	-	Yes	Bypass	Yes	Yes
CPRO-8E	HDMI	1	8	Yes	Yes	Yes	-	-	Yes	-	Yes	Yes
CPRO-4E	HDMI	1	4	Yes	Yes	Yes	-	-	Yes	-	Yes	Yes
CPRO-2E	HDMI	1	2	Yes	Yes	Yes	-	-	Yes	-	-	Yes

1×8 HDMI CEC Splitter

CPRO-8MCEC

The CPRO-8MCEC 1 by 8 HDMI Splitter supports 3D, individual CEC control functions, and it has an output port (the fourth HDMI out) providing Audio Return Channel (ARC) and HDMI Ethernet Channel (HEC) communication as an add-on feature. When an ARC-enabled HDTV is connected to the fourth HDMI output port, the user can upstream audio signal (from set-top-box or other source) to the splitter, in S/PDIF format, and output to the coaxial connector. When an HEC-enabled HDTV is connected to the fourth HDMI output port, the user can benefit from a bi-directional and 100Mb/sec full duplex Ethernet connection between the TV and the splitter.

- The fourth HDMI output supports Audio Return Channel (ARC) and HDMI Ethernet Channel (HEC) feature
- Supports 3D and 36/30/24-bit Deep Color up to 1080p@60Hz
- Supports high definition audio
- Supports EDID selections - standard (internal) or TV (external)
- Supports CEC options - System Reset feature or CEC Bypass



P/N	Interface	Input	Output	Deep Color	HD Audio	3D	HEC	ARC	4K×2K	CEC	EDID	HDCP
CPRO-8MCEC	HDMI	1	8	Yes	Yes	Yes	Yes	Yes	-	Yes	Yes	Yes

1×16 / 1×8 / 1×4 / 1×2 HDMI Splitter

CLUX-16EN / CLUX-8EN / CLUX-4EN / CLUX-2EN

The full range of HDMI splitters allow one high-definition audio/video source to be distribute to up to 2, 4, 8, or 16 HDTVs or displays simultaneously so there is no loss of video quality. The splitters all support 3D, 3Gbps bandwidth, 12-bit Deep Color, Lossless HD Audio as well as are compliant with the HDMI specifications of earlier versions.

- Supports 3D contents and 12-bit Deep Color
- HDMI input and output resolutions support 1080p@60 Hz and are up to WUXGA
- Supports LPCM 7.1 CH, Dolby TrueHD, DTS-HD Master



• CLUX-16EN

Audio, Dolby Digital Plus, and DTS Digital audio transmission at 32~192 kHz sampling rate
• Cascadable

P/N	Interface	Input	Output	Deep Color	HD Audio	3D	HEC	ARC	4K×2K	CEC	EDID	HDCP
CLUX-16EN	HDMI	1	16	Yes	Yes	Yes	-	-	-	Bypass	Yes	Yes
CLUX-8EN	HDMI	1	8	Yes	Yes	Yes	-	-	-	-	Yes	Yes
CLUX-4EN	HDMI	1	4	Yes	Yes	Yes	-	-	-	-	Yes	Yes
CLUX-2EN	HDMI	1	2	Yes	Yes	Yes	-	-	-	-	-	Yes

1×8 HDMI 3D Splitter

CLUX-8M3D

With eight HDMI outputs and capable of distributing 3D content the CLUX-8M3D is compatible with HDMI v1.3 which defines the ability to transfer 3D content, Deep Color (10/12-bit) video and new lossless compressed (Dolby TrueHD, Dolby Digital Plus and DTS-HD Master Audio) digital audio, this device doesn't merely handle splitting and distributing, far from it, it also amplifies and equalizes your signals to provide high performance I/O of audio and video.

- Supports 3D content with an LED indicator to indicate if the video is in standard definition or 3D
- Allows one HDMI source to simultaneously connect with up to eight HDMI displays
- HDCP keysets allows each output to work independently when connected to an HDMI display



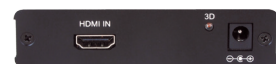
- Transmits an HDMI source to eight outputs without any signal loss
- Supports a wide range of PC and HDTV resolutions from VGA to WUXGA and 480i to 1080p
- HDMI input/output cable distance supports 15/15m at 1080p/8-bit, 10/15m at 1080p/12-bit

P/N	Interface	Input	Output	Deep Color	HD Audio	3D	HEC	ARC	4K×2K	CEC	EDID	HDCP
CLUX-8M3D	HDMI	1	8	Yes	Yes	Yes	-	-	-	System Reset	Yes	Yes

1×2 HDMI 3D Splitter with Audio-Only HDMI Output

CLUX-3D12S1A

The CLUX-3D12S1A is fully compliant with HDMI and allows the output from any HDMI equipped device to be split and connects to up to two HDTV displays in the same room. The third HDMI output is an audio with blue screen output, which means it can be connected to an AV Receiver that does not support 3D signal.



- Deep Color video up to 12-bit, 1080p@24/60 Hz
- One HDMI source to connect up to two HDMI displays simultaneously
- One audio-only HDMI output connected to an AVR
- Splits an HDMI source to two outputs without signal loss
- Supports LPCM 7.1 CH, Dolby Digital and Dolby Digital Plus Audio transmission (32~192 kHz Fs sample rate)

- Supports a wide range of PC and HDTV resolutions from VGA to WUXGA and 480i to 1080p
- HDMI cable distance supports up to 15m at 1080p/8-bit or 12-bit resolution
- Detects the video's EDID information based on HDMI OUT 1 and the audio's EDID based on HDMI OUT 3

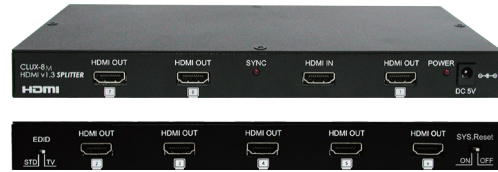
P/N	Interface	Input	Output	Deep Color	HD Audio	3D	HEC	ARC	4K×2K	CEC	EDID	HDCP
CLUX-3D12S1A	HDMI	1	3	Yes	Yes	Yes	-	-	-	-	-	Yes

1×8 / 1×4 HDMI Splitter

CLUX-8M / CLUX-4M

The HDMI Distribution Amplifier Series is the most advanced solution to HDMI signal distribution. Each product in this series is compatible to HDMI specifications, a cutting edge technology which defines the support to transfer Deep Color (10-bit and 12-bit) video and new lossless compressed (Dolby TrueHD, Dolby Digital Plus and DTS-HD Master Audio) digital audio, with a high bandwidth up to 225MHz (6.75Gbps). Besides splitting and distributing, the HDMI DA series also does signal amplification and equalization, so as to provide high performance I/O of audio and video.

- Deep color video up to 12bit, 1080p@(24/60)Hz
- One HDMI source to connect up to eight HDMI displays simultaneously
- HDCP keysets allows each output to work independently when connecting to a HDMI display
- Splits a HDMI source up to eight outputs without signal loss
- Supports DVI source and DVI display by using HDMI to/from DVI adaptor cable
- Supports LPCM 7.1 CH, Dolby TrueHD, Dolby Digital Plus and DTS-HD
- Master Audio transmission (32-192 kHz Fs sample rate)



• CLUX-8M



• CLUX-4M

- Supports a wide range of PC and HDTV resolutions from VGA to UXGA and 480i to 1080p
- Can selected EDID source from TV or this splitter
- Support CEC bypass
- Support xvYCC

P/N	Interface	Input	Output	Deep Color	HD Audio	3D	HEC	ARC	4K×2K	CEC	EDID	HDCP
CLUX-8M	HDMI	1	8	Yes	Yes	Yes	-	-	-	System Reset	Yes	Yes
CLUX-4M	HDMI	1	4	Yes	Yes	Yes	-	-	-	System Reset	Yes	Yes

1×8 / 1×4 HDMI Mountable Splitter

CLUX-18W / CLUX-14W

The HDMI Splitter is an advanced solution for HDMI signal distribution. This device supports deep color (10 & 12-bit) video with new lossless compressed (Dolby, True HD, Dolby Digital Plus and DTS-HD Master Audio) digital audio, with a high bandwidth up to 225MHz (6.75Gbps). Besides just splitting and distributing, this device also amplifies and equalizes your signal to provide high performance I/O of audio and video. With great features like EDID, CEC and system reset this device will fully support your HDMI splitting needs.

- HDCP keysets allow each output to work independently
- Splits an HDMI source on up to eight/four outputs without any signal loss
- Supports DVI source by using an HDMI to/from DVI adaptor cable
- PC and HDTV resolutions from VGA to WUXGA and 480i to 1080p
- EDID function. This unit is designed to detect the first HDMI/DVI output display's EDID and record it in the unit. If the first detected output is empty it will pass on to the next output until the first HDMI/DVI display has been detected. When users re-plug the power, the system will automatically recover the EDID



• CLUX-18W



• CLUX-14W

- Supports xvYCC and CEC bypass
- Switch Reset button on to restore the system every 8-10mins
- Buttons for EDID settings allow for fast recognition between source and display

P/N	Interface	Input	Output	Deep Color	HD Audio	3D	HEC	ARC	4K×2K	CEC	EDID	HDCP
CLUX-18W	HDMI	1	8	Yes	Yes	Yes	-	-	-	System Reset	Yes	Yes
CLUX-14W	HDMI	1	4	Yes	Yes	Yes	-	-	-	System Reset	Yes	Yes

1×8 HDMI Splitter

CLUX-18EU

Compatible with HDMI which defines the ability to transfer 3D content, Deep Color video and new lossless compressed digital audio, this device also amplifies and equalizes your signals to provide high performance I/O of audio and video distribution. Cascade up to 10 layers to extend and distribute the HD 1080p in 8 bit color signal without loss or delay. (Higher color definitions will restrict cable lengths & cascade depths).

- Deep color video up to 12bits, 1080p@24/60Hz
- Allows one HDMI source to simultaneously connect with up to eight HDMI displays
- HDCP keysets allows each output to work independently and quickly
- Transmits an HDMI source to eight outputs without any signal loss
- Supports DVI source/display by using and HDMI/DVI adaptor cable
- LPCM 7.1CH, Dolby, True HD, Dolby Digital Plus and DTS-HD master audio
- Supports PC and HDTV resolutions from VGA to WUGA and 480i to 1080p



- HDMI cable distance testing showed that with 1080p/8 bits resolution, the input source can be 15 meters away and with 1080p/12 bits it can be 10 meters away
- HDMI cable distance testing showed that with 1080p/8 bits resolution, the output source can be 15 meters away, and with 1080p/12 bits it can be 15 meters away

P/N	Interface	Input	Output	Deep Color	HD Audio	3D	HEC	ARC	4K×2K	CEC	EDID	HDCP
CLUX-18EU	HDMI	1	8	Yes	Yes	Yes	-	-	-	System Reset	Yes	Yes

1×4 HDMI Splitter

CLUX-14EP

This HDMI Splitter is the most advanced solution to HDMI signal distribution. Each product in this series is compliant with HDMI and HDCP specifications. It allows one HDMI source to connect up to four HDMI displays simultaneously.

- Splits a HDMI source up to four outputs at 1080p without signal loss
- Supports DVI source and DVI display by using an adaptor lead
- PC and HDTV resolutions, from VGA to UXGA and 480p to 1080p
- Supports Deep color video 10bit, 1080p@60Hz.
- Signal Enhancement feature allows you to improve signal quality after long distance transmission
- Support multi-channel compressed and uncompressed HDMI audio
- Enhanced function for signal pre-emphasis
- Audio EDID button for 2 channels and multi channels supports
- In cases where the sources are supports multi channels and displays only supports 2 channels. Switch the audio EDID to 2 channels



P/N	Interface	Input	Output	Deep Color	HD Audio	3D	HEC	ARC	4K×2K	CEC	EDID	HDCP
CLUX-14EP	HDMI	1	4	Yes	Yes	Yes	-	-	-	-	-	Yes

2×10 HDMI Splitter

CLUX-210S

The CLUX-210S is an advanced solution to HDMI signal distribution. Each product in this series is compatible to HDMI v1.3 specifications, a cutting edge technology which defines the support to transfer Deep Color (10-bit and 12-bit) video and new lossless compressed (Dolby TrueHD, Dolby Digital Plus and DTS-HD Master Audio) digital audio, with a high bandwidth up to 225MHz (6.75Gbps). Besides splitting and distributing, the device also does signal amplification and equalization, so as to provide high performance I/O of audio and video. Each of the buffered output can run up to 30 meters and can be cascaded.



- HDCP 1.1 and DVI 1.0 compliant
- Deep color video up to 12-bit, 1080p@60 Hz
- Two HDMI sources to connect up to ten HDMI displays simultaneously
- HDCP keysets allows each output to work independently when connecting to a HDMI display
- Splits a HDMI source up to ten outputs without signal loss
- Supports DVI source and DVI display by using HDMI to/ from DVI adaptor cable

- Supports LPCM 7.1CH, Dolby TrueHD, Dolby Digital Plus and DTS-HD Master Audio transmission (32-192kHz Fs sample rate)
- Supports a wide range of PC and HDTV resolutions from VGA to UXGA and 480i to 1080p
- HDMI cable distance test with 1080p resolution: Input/ Output source can run up to 30M/5.1CH
- Can selected EDID source from TV or this Splitter.
- Full HDCP Compliant

P/N	Interface	Input	Output	Deep Color	HD Audio	3D	HEC	ARC	4K×2K	CEC	EDID	HDCP
CLUX-210S	HDMI	2	10	Yes	Yes	Yes	-	-	-	-	Yes	Yes

1×8 / 1×4 / 1×2 HDMI Splitter

CLUX-18S / CLUX-14S / CLUX-12S

The CLUX-18S/CLUX-14S/CLUX-12S is an advanced solution to HDMI signal distribution. Each product in this series is compatible to HDMI v1.3 specifications, a cutting edge technology which defines the support to transfer Deep Color (10-bit and 12-bit) video and new lossless compressed (Dolby TrueHD, Dolby Digital Plus and DTS-HD Master Audio) digital audio, with a high bandwidth up to 225MHz (6.75Gbps). Besides splitting and distributing, the device also does signal amplification and equalization, so as to provide high performance I/O of audio and video. Each of the buffered output can run up to 30 meters and can be cascaded.



• CLUX-18S



• CLUX-14S

• CLUX-12S

- HDCP 1.1 and DVI 1.0 compliant
- Deep color video up to 12-bit, 1080p@60 Hz
- One HDMI source to connect up to eight, four or two HDMI displays simultaneously
- HDCP keysets allows each output to work independently when connecting to a HDMI display
- Splits a HDMI source up to eight, four or two outputs without signal loss
- Supports DVI source and DVI display by using HDMI to/ from DVI adaptor cable
- Supports LPCM 7.1CH, Dolby TrueHD, Dolby Digital Plus and DTS-HD Master Audio transmission (32-192kHz Fs

- sample rate)
- Supports a wide range of PC and HDTV resolutions from VGA to UXGA and 480i to 1080p
- CLUX-18S and CLUX-14S can select EDID source from TV or this Splitter
- Full HDCP Compliant
- Supports CEC bypass

P/N	Interface	Input	Output	Deep Color	HD Audio	3D	HEC	ARC	4K×2K	CEC	EDID	HDCP
CLUX-18S	HDMI	1	8	Yes	Yes	Yes	-	-	-	Bypass	Yes	Yes
CLUX-14S	HDMI	1	4	Yes	Yes	Yes	-	-	-	Bypass	Yes	Yes
CLUX-12S	HDMI	1	2	Yes	Yes	Yes	-	-	-	Bypass	Yes	Yes

1×16 / 1×8 / 1×4 / 1×2 HDMI Splitter

CLUX-16E / CLUX-18E / CLUX-14E / CLUX-12E

The HDMI splitter is capable of handling HDMI and with support for Deep Color video and new lossless compressed digital audio. It also amplifies and equalizes your signals offering unparalleled I/O of audio and video. With extra features like EDID and CEC, this splitter is able to handle all your HDMI splitting needs.

- Deep Color Video up to 12bits, 1080p@(24/60)Hz
- HDCP keysets allows each output to work independently
- Supports DVI source and DVI display by using HDMI to/ from DVI adaptor cable
- LPCM 7.1Ch, Dolby, True HD, Dolby Digital Plus and DTS-HD Master Audio
- Supports PC and HDTV resolutions from VGA to UXGA and 480i to 1080p
- HDMI cable distance tested with 1080p/8 bits resolution the I/O source can up run up to 15M/15M. If 1080p/12 bits the I/O source can run up to 15M/10M
- Supports EDID functionality
- Support xvYCC
- Support CEC bypass



P/N	Interface	Input	Output	Deep Color	HD Audio	3D	HEC	ARC	4K×2K	CEC	EDID	HDCP
CLUX-16E	HDMI	1	16	Yes	Yes	Yes	-	-	-	-	Yes	Yes
CLUX-18E	HDMI	1	8	Yes	Yes	Yes	-	-	-	-	-	Yes
CLUX-14E	HDMI	1	4	Yes	Yes	Yes	-	-	-	-	-	Yes
CLUX-12E	HDMI	1	2	Yes	Yes	Yes	-	-	-	-	-	Yes

1×8 / 1×4 / 1×2 HDMI CEC Splitter

CLUX-18CEC / CLUX-14CEC / CLUX-12CEC

From a single HDMI source you can transfer Deep Color (10-bit and 12-bit) video and new lossless compressed digital audio with high bandwidth up to 225MHz (6.75Gbps) to 2/4/8 HDMI outputs. Besides splitting and distributing, it also does signal amplification and equalization, providing high I/O performance on both audio and video.

- Deep color video up to 12bit, 1080p@(24/60)Hz
- Simultaneously displays one HDMI source onto eight HDMI displays (CLUX-18CEC)
- HDCP keysets allow each output to work independently.
- Supports DVI source/display via HDMI to/from DVI adaptor cable
- LPCM 7.1Ch, Dolby TrueHD, Dolby Digital Plus and DTS-HD Audio
- PC and HDTV resolutions from VGA to UXGA and 480i to 1080p
- 1080p/8bits resolution: the Input/Output source up to 10/10 meters
- Supports EDID bypass, xvYCC and CEC bypass
- CEC function support
- System standby will be activated when last TV is switched to standby



P/N	Interface	Input	Output	Deep Color	HD Audio	3D	HEC	ARC	4K×2K	CEC	EDID	HDCP
CLUX-18CEC	HDMI	1	8	Yes	Yes	Yes	-	-	-	Full	-	Yes
CLUX-14CEC	HDMI	1	4	Yes	Yes	Yes	-	-	-	Full	-	Yes
CLUX-12CEC	HDMI	1	2	Yes	Yes	Yes	-	-	-	Full	-	Yes

1×8 HDMI to Single CAT6/7 Splitter

CLUX-8MCAT

The CLUX-8MCAT can simultaneously distribute a single HDMI source to eight displays when connecting with a CAT6 to HDMI receiver. Provides an efficient and cost effective way to link your displays, this system uses a direct input of one HDMI source and eight CAT6 outputs that send uncompressed data and allow you to distribute HDMI signals at their full strength and at great distances.

Moreover, this device supports 3D signals and includes an LED indicator that shows when you are broadcasting 3D media. The 1 by 8 HDMI to single CAT6 Splitter is the most efficient way to handle your HDMI splitting needs.

- Deep Color input up to 1080p@60 Hz/12-bit and output up to 1080p@60 Hz/10-bit
- Supports LPCM 7.1CH, Dolby TrueHD, Dolby Digital Plus and DTS-HD Master Audio transmission with sample rate up to 192 kHz
- Supports VGA to WUXGA and 480i to 1080p
- Selectable EDID from either the TV or STD mode
- Supports 3D signals with an LED indicator



P/N	Input Interface	Output Interface	Input	Output	Max. Distance	Ethernet
CLUX-8MCAT	HDMI	CAT6/7	1	8	45 m (150 ft)/8-bit 15 m (50 ft)/10-bit	-
CLUX-22HC	HDMI/Dual CAT6/7	HDMI/Dual CAT6/7	1+1	1+1	45 m (150 ft)/8-bit 20 m (66 ft)//12-bit	-

1×8 / 1×4 HDMI to Dual CAT6/7 Splitter

CLUX-1H8CAT / CLUX-1H4CAT

HDMI to CAT6 splitter when used with CAT6 to HDMI receivers it will allow user to distribute a HDMI over CAT6 cables up to 45 meters. This solution provides a direct input of one HDMI to a looped output of HDMI and 3/7 CAT6 outputs - a smart way to link and display a single source to 4/8 different screens simultaneously. Alternatively, the HDMI output can also be treated as an extender to connect to another HDMI splitter or cascade with other unit in multiple layers. This unit allows user to transmit HDMI signal via CAT6 without compression over long distance. The HDMI to CAT6 splitter also incorporates functions like EDID, System Reset, Deep color and IR systems.



• CLUX-1H8CAT



• CLUX-1H4CAT

- Deep color video up to 12-bit, 1080p@60 Hz
- HDCP keys allows each output to work independently connected to a HDMI display
- Supports both DVI source/display by using HDMI to/from DVI adaptor cable
- Supports EDID from TV mode or STD mode
- LPCM 7.1CH, Dolby True HD, Dolby Digital Plus and DTS-HD Master Audio

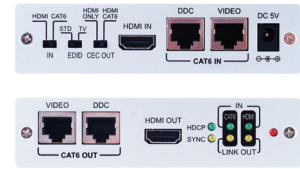
- Supports PC and HDTV resolutions from VGA to UXGA and 480i to 1080p
- CEC Bypass

P/N	Input Interface	Output Interface	Input	Output	Max. Distance	Ethernet
CLUX-1H8CAT	HDMI	HDMI/Dual CAT6/7	1	1+7	45 m (150 ft)/8-bit 15 m (50 ft)/12-bit	-
CLUX-1H4CAT	HDMI	HDMI/Dual CAT6/7	1	1+3	45 m (150 ft)/8-bit 15 m (50 ft)/12-bit	-
CLUX-1CAT8H	Dual CAT6/7	HDMI/Dual CAT6/7	1	7+1	45 m (150 ft)/8-bit 15 m (50 ft)/12-bit	-
CLUX-1CAT4H	Dual CAT6/7	HDMI/Dual CAT6/7	1	3+1	45 m (150 ft)/8-bit 15 m (50 ft)/12-bit	-

HDMI/Dual CAT6/7 to HDMI/Dual CAT6/7 Splitter

CLUX-22HC

The HDMI/CAT6 to HDMI/CAT6 Splitter/Switcher for HDMI and Video/DDC signal distribution. This CAT6 output port can be easily connected to an HDMI receivers CAT6 input port to allow a stable connection between an HDMI source and any compatible display. Besides splitting and distributing, the Video/DDC CAT6 output also does signal amplification and equalization which provide high performance I/O of audio and video.



- Deep color video 12 bit 1080p@60Hz
- Simultaneously 1x HDMI & TWIN CAT6 source to 1x HDMI & TWIN CAT6 output
- HDCP keysets allows each output to work independently
- Supports LPCM7.1CH, Dolby True HD, Dolby Digital Plus and DTS-HD Master Audio
- Supports PC and HDTV resolutions from VGA to WUXGA and 480i to 1080p

P/N	Extender Cable	Deep Color	HD Audio	3D	CEC	EDID	HDCP	USB
CLUX-8MCA	Single CAT6/7	Yes	Yes	Yes	-	Yes	Yes	-
CLUX-22HC	Dual CAT6/7	Yes	Yes	Yes	-	Yes	Yes	-

1x8 / 1x4 Dual CAT6/7 to HDMI Splitter

CLUX-1CAT8H / CLUX-1CAT4H

CAT6 to HDMI splitter is the smart way to link and display a single HDMI source on three or more screens simultaneously. Not only can it send an HDMI source to three different displays, but it can also act like a router, when connected to another CAT6 splitter it can transfer an HDMI signal to a further 3 displays, making a total of six showing the same source instead of only three. This unit allows users to transmit HDMI signals via CAT6 without compression over long distance. The CAT6 to HDMI splitter also incorporates functions like EDID, System Reset, Deep color and IR systems. Connect to 3 or 7 HDMI displays. Extend to another CAT6 splitter to reach more displays. Suitable for multi-task project presentations. Showroom displays.



• CLUX-1CAT8H



• CLUX-1CAT4H

- Deep color video 12-bit, 1080p@60 Hz
- HDCP keysets allows each output to work independently
- LPCM 7.1CH, Dolby True HD, Dolby Digital Plus and DTS-HD Master Audio
- Supports PC and HDTV resolution from VGA to UXGA and 480i to 1080p
- Selects EDID from TV mode or STD mode

- CEC Bypass
- IR remote control extender
- Need work together with CH-106TXN, CH-1106TXN, CLUX-22HC, CLUX-1H4CAT or CLUX-1H8CAT

P/N	Extender Cable	Deep Color	HD Audio	3D	CEC	EDID	HDCP	USB
CLUX-1H8CAT	Dual CAT6/7	Yes	Yes	Yes	-	Yes	Yes	-
CLUX-1H4CAT	Dual CAT6/7	Yes	Yes	Yes	-	Yes	Yes	-
CLUX-1CAT8H	Dual CAT6/7	Yes	Yes	Yes	-	Yes	Yes	-
CLUX-1CAT4H	Dual CAT6/7	Yes	Yes	Yes	-	Yes	Yes	-

DVI Splitter

1×4 / 1×2 Dual-Link DVI Splitter

CDVI-4DDS / CDVI-2DDS

The Dual-Link DVI splitter allows a single DVI-D signal to be split into four/ two DVI outputs. Accept both Single-Link and Dual-Link DVI signal with supporting the highest resolution of WQXGA for Dual-Link and WUXGA@RB for Single-Link DVI this wonderful device allows users with a multi-screen viewing.

- Supports video resolutions up to WQXGA with Dual-Link DVI or WUXGA with Single-Link DVI
- Built-in adaptive equalizer provides long cable support
- Support EDID function
- Individual control of hot plug detect



• CDVI-4DDS



• CDVI-2DDS

P/N	Interface	Input	Output	Deep Color	HD Audio	3D	HEC	ARC	4K×2K	CEC	EDID	HDCP
CDVI-4DDS	DVI DL	1	4	Yes	Yes	Yes	-	-	Yes	-	-	Yes
CDVI-2DDS	DVI DL	1	2	Yes	Yes	Yes	-	-	Yes	-	-	Yes

1×8 / 1×4 / 1×2 Single-Link DVI Splitter

CDVI-8S / CDVI-4S / CDVI-2S

The DVI Splitter series are high performance, HDCP compliant DVI distribution amplifiers. It allows one DVI signal source to be split to two, four or eight identical buffered outputs for connecting to up to eight DVI displays simultaneously. These models can be used to transfer HDMI signal by using HDMI to DVI adaptor or cable. Each of the buffered outputs can be run up to 15 meters and can be cascaded up to 3 layers.

- HDMI (with adaptor) and DVI 1.0 compliant
- Supports VGA to WUXGA and 480p to 1080p resolutions
- Each of the buffered output can run up to 15m (8-bit) or 10m (12-bit)
- The device will read and record the EDID of output 1 and then send it to the source device



• CDVI-8S



• CDVI-4S

• CDVI-2S

P/N	Interface	Input	Output	Deep Color	HD Audio	3D	HEC	ARC	4K×2K	CEC	EDID	HDCP
CDVI-8S	DVI SL	1	8	Yes	Yes	Yes	-	-	-	-	-	Yes
CDVI-4S	DVI SL	1	4	Yes	Yes	Yes	-	-	-	-	-	Yes
CDVI-2S	DVI SL	1	2	Yes	Yes	Yes	-	-	-	-	-	Yes

3G-SDI Splitter

1×4 3G-SDI Splitter

CSDI-14

The 3G-SDI 1 by 4 Splitter allows SD-SDI, HD-SDI and 3G-SDI signals to be split from a single SDI source to up four simultaneous SDI outputs while ensuring high bit rates of 2.970 Gbit/s to give you high bandwidth signal transmission without signal loss over long distances.

- Split one 3G-SDI input source to four 3G-SDI displays simultaneously
- Operation at 2.970Gb/s, 2.970/1.001Gb/s, 1.485Gb/s, 1.485/1.001Gb/s and 270Mb/s
- Supports SMPTE 425M (Level A and Level B), SMPTE 424M, SMPTE 292M, SMPTE 259M-C
- Provides equalized and re-clocked transmission
- Supports signal input and output distances of up to 300 m for SD signals, 200 m for HD signals and 100 m for 3G signals.



P/N	Interface	Input	Output	Deep Color	HD Audio	3D	HEC	ARC	4K×2K	CEC	EDID	HDCP
CSDI-14	SDI	1	4	-	-	-	-	-	-	-	-	-

USB Over Ethernet Splitter

Ethernet/USB to 4 HDMI Splitter

CETH-4HDI

The CETH-4HDI allows the user to display the output from a PC/Laptop on up to four TV/monitors either by direct connection (via USB or CAT cable) or over a network connection. For the home, it makes it easy to have multiple screens for browsing the internet, editing word processor documents or playing music or movies simultaneously on all connected displays.

In the workplace, it can allow attendees in a meeting room to access the display from their laptop over a network without having to fumble with cables or it can display a single advertisement stretched over 4 displays to distances of up to 100m. It can also be used as a simple USB to HDMI signal converter through its USB 2.0 connection. Each HDMI output can display different content, mirror the main screen or can even stretch the image over 4 screens to create a video wall.

- Display content on up to 4 HDMI displays over a network or directly from PC/Laptop with USB connection
- Supports HD resolutions up to 1920×1080 for each HDMI output
- Individual EDID selection (INT/EXT) for output display control
- USB 2.0 (Hi-speed) compliant
- Supports Gigabit Ethernet TCP/IP protocols
- 3.5 mm mini-jack external input for embedding HDMI audio
- Extend or mirror audio and video through a network or USB cable on up to 4 HDMI displays
- Supports 16/32-bit Color for high-quality display
- Add four HDMI displays to your computer through a single USB 2.0 port
- Shares four HDMI display with multiple users through an existing network (up to 100m)
- Supports Individual display resolution on each HDMI output



P/N	Input Interface	Output Interface	TV Timings	PC Timings	PC Software
CETH-4HDI	1×Mini-USB, 1×RJ45	4×HDMI	480p ~ 1080p	VGA ~ UXGA	Yes

DisplayPort Splitter

1×4 DisplayPort Splitter

CDP-14C

The DisplayPort 1 by 4 splitter allows single DP source to be display on four DP input monitors simultaneously. It supports video resolution up to 2560 x 1600 and audio up to PCM 7.1. The EDID switch allows copy of EDID from output display on using internal embedded EDID. It ensure image display properly The DP 1 by 4 splitter is an ideal device for your DP source to multi display.

- Supports resolution up to 2560 x 1600
- Supports audio up to PCM 7.1CH
- Supports EDID switch and setting



P/N	Input Interface	Output Interface	Input	Output	EDID	HDCP	Max. Resolution
CDP-14C	DisplayPort	DisplayPort	1	4	Yes	Yes	WQXGA (RB)

1×3 DisplayPort Splitter

CDP-13DPI

For those who want to display large content the CDP-13DPI is for you. Able to extend an image onto 2 or 3 displays, this device is perfect for multi-tasking, but can also split an image so the same image is repeated on up to three connected displays. This device allows users to enjoy images or video in HD resolution up to 1920×1200 on multiple monitors from a single digital output port. The 1 by 3 DisplayPort Splitter is a useful device for extending displays and splitting images.

- Supports DisplayPort v1.1a, VESA DDM Standard
- Supports link rates of 2.7Gbps (HBR) and 1.62Gbps (RBR) from the source
- Quality Lab (WHQL) testing/qualification
- Supports output resolutions up to 1920×1200



- Fully HD compatible and provides full display performance with zero lag and no display application limitations
- Provides exceptional Secured Content Protection with HDCP 1.3 for digital content including video and audio

P/N	Input Interface	Output Interface	Input	Output	EDID	HDCP	Max. Resolution
CDP-13DPI	DisplayPort	DisplayPort	1	3	-	Yes	WUXGA (RB)

1×3 Mini DisplayPort Splitter

CMDP-13MDPI

For those who want to display large content the CMDP-13MDPI is for you. Able to extend an image onto 2 or 3 displays, this device also allows you to split an image two or three times to connected displays while giving you a platform that is perfect for multi-tasking. This device allows users to enjoy images or video in HD resolution up to 1920×1200 on multiple monitors from a single digital output port. The 1 by 3 Mini DisplayPort Splitter is a useful device for extending displays and splitting images.

- Supports DisplayPort v1.1a, VESA DDM Standard, HDCP v1.3 and EDID v1.4
- Supports link rates of 2.7Gbps (HBR) and 1.62Gbps (RBR)
- Fully HD compatible and provides full display performance with zero lag and no display limitations



- Does not require software updates
- Quality Lab (WHQL) testing/qualification
- Supports output resolutions up to 1920×1200
- Provides exceptional Secured Content Protection with HDCP 1.3 for digital content including video and audio

P/N	Input Interface	Output Interface	Input	Output	EDID	HDCP	Max. Resolution
CMDP-13MDPI	Mini DisplayPort	Mini DisplayPort	1	3	-	Yes	WUXGA (RB)

Analog Video Splitter

1×8 / 1×3 Component Video Splitter

CHDD-8C / CHDD-3C

The CHDD-8C/3C is capable of distributing Video in 8 or 3 different formats and is ideal for use in any analog video entertainment distribution system.

- Component/composite or RGB distribution amplifier
- Supports SD video (Composite, YCbCr) and HDTV(YPbPr, RGSB) input signal
- Split one Component Video input into 3 identical and buffered outputs via 3 by 3 RCA connectors
- When input is composite video, it can connect up to 3 different video sources and output three identical and buffered signal for each video input
- High bandwidth performance support 480 MHz (-3dB)



• CHDD-8C



• CHDD-3C

P/N	Interface	Input	Output	Deep Color	HD Audio	3D	HEC	ARC	4K×2K	CEC	EDID	HDCP
CHDD-8C	Component	1	8	-	-	-	-	-	-	-	-	-
CHDD-3C	Component	1	3	-	-	-	-	-	-	-	-	-

1×3 VGA Splitter

CPCD-3A

The CPCD-3A is a high performance PC/Component distributor with stereo audio. It is designed to connect one PC or HDTV signal source with audio to 3 PC or HDTV displays.

- Supports either PC (RGB) or HDTV (YPbPr) input signal
- Accepts one PC or HD component input and split it into 3 buffered and identical outputs
- Supports stereo audio input and split it to 3 identical outputs via 3.5mm mini-stereo connector
- High video signal bandwidth (480MHz/-3dB) supports PC/HDTV resolution up to UXGA/1080p
- Ideal for presentation and home theater application
- Plug and play, easy to install



P/N	Interface	Input	Output	Deep Color	HD Audio	3D	HEC	ARC	4K×2K	CEC	EDID	HDCP
CPCD-3A	PC	1	3	-	-	-	-	-	-	-	-	-

1×3 Composite Video/S-Video Splitter

CVSD-3A

The CVSD-3A is the combination of a 1 by 3 CV and 1 by 3 SV Distribution amplifier with stereo. It accepts one CV and one SV input at the same time and delivers 3 buffered and isolated outputs for each of the CV and SV input. When the CV and SV come from the same source, the CVSD-3A becomes a 1-in 6-out distributor.

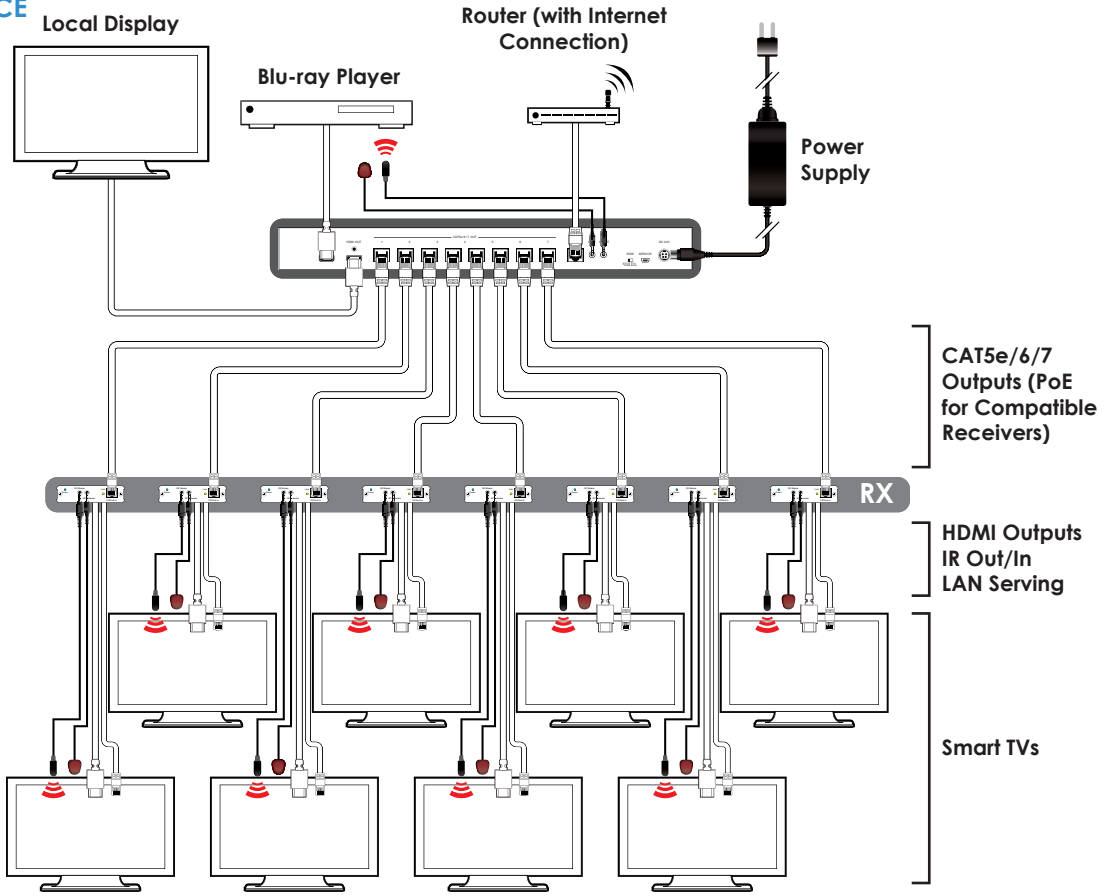
- Connects up to 3 Composite Video or S-Video displays
- Bandwidth supports 10MHz (-3dB)
- LED power indicator
- Worldwide power supply



P/N	Interface	Input	Output	Deep Color	HD Audio	3D	HEC	ARC	4K×2K	CEC	EDID	HDCP
CVSD-3A	CV/SV	1	3	-	-	-	-	-	-	-	-	-

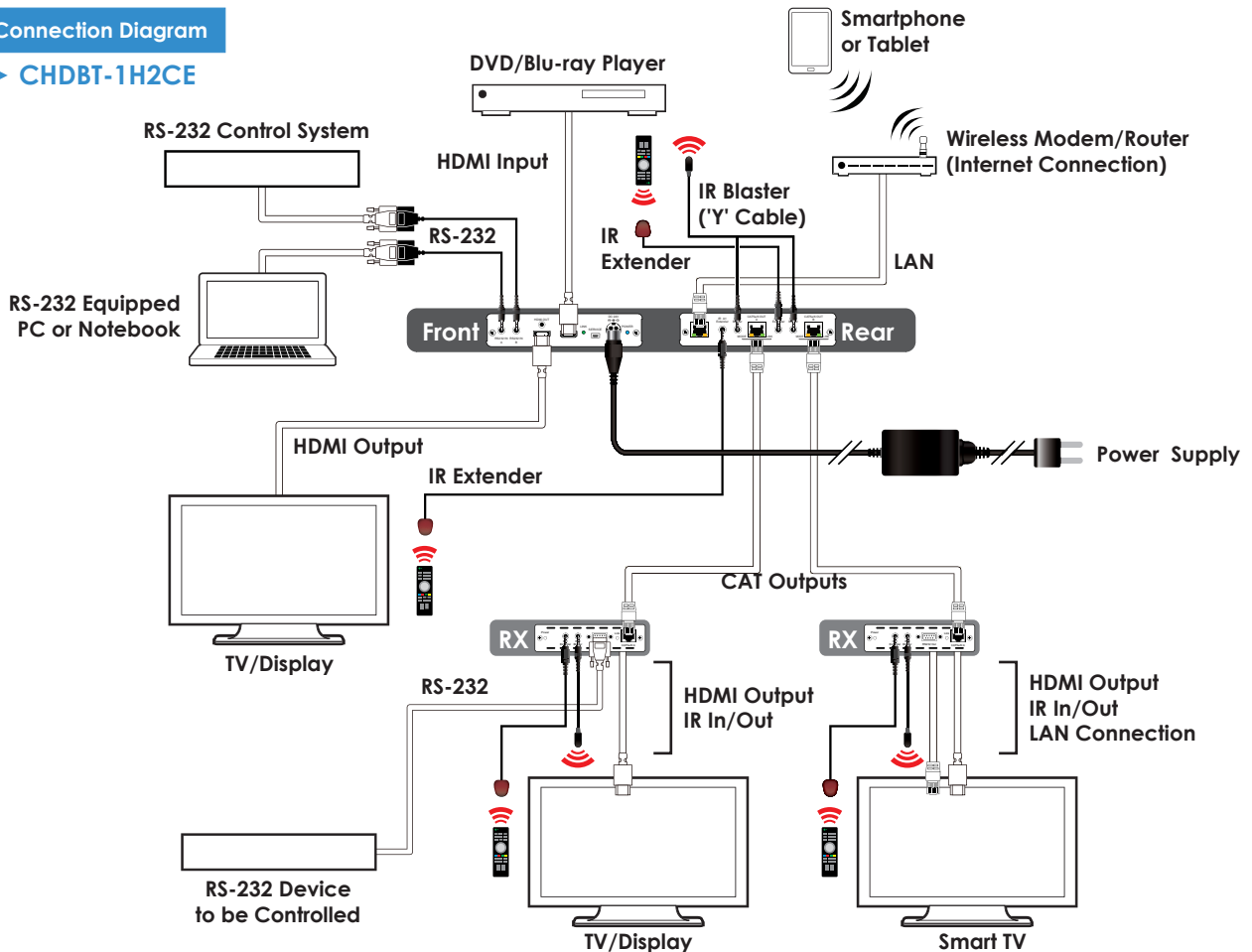
Connection Diagram

► CHDBT-1H7CE



Connection Diagram

► CHDBT-1H2CE



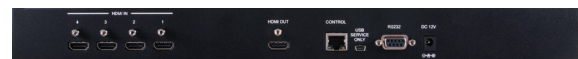
HDMI Switcher

4×1 HDMI Seamless Quad Switcher

CDPS-41SQ

The CDPS-41SQ is an advanced HDMI switch with integrated Picture-in-Picture (PIP) technology that can be easily configured and controlled. It allows 4 different sources to be selected and arranged on a single display and supports video resolutions up to 1080p and audio up to 8CH 192kHz. Preset hot keys and IR and RS-232/Telnet support allows instant control and switching.

- Integration of 4 HDMI sources to a single display or video wall system
- Seamless switching of HDMI channels and windows
- Supports individual channel size and position adjustments
- Zoom, shrink and overlay the source channels
- Fade-In/Fade-Out, Chromakey, Mirror and Rotation (90° left/right and 180° up or down) functions
- Supports Picture-in-Picture (PIP), Picture-out-of-Picture (POP) and multi-window display
- 8 sets of screen setting hot keys
- Supports OSD, RS-232, Telnet, Remote and on-panel controls
- Save and recall up to 4 customizable favorite screen arrangements



P/N	Interface	Input	Output	Deep Color	HD Audio	3D	HEC	ARC	4K×2K	CEC	EDID	HDCP
CDPS-41SQ	HDMI	4	1	Yes	Yes	-	-	-	-	-	-	Yes

5×1 HDMI/MHL Switcher

CFSW-51MHL

The CFSW-51MHL has MHL (Mobile High-Definition Link) support integrated on its fifth input port. With the MHL port, you can share high definition video and audio from any of your MHL-ready mobile devices on an HDTV, and charge the connected device at the same time. This switcher support 3D 2.25Gbps bandwidth, 12-bit Deep Color, Hi-Def lossless audio and other features defined by HDMI v1.3 specifications, on all of its 5 input ports. The operation of source selection can be done easily through on-panel buttons, IR remote control, or RS-232 protocol.

- With Silicon Image's new InstaPort Technology™
- Supports five HDMI type A with one MHL to HDMI port
- Supports one HDMI type A output
- Supports video resolution up to 1080p@60 Hz
- MHL port can charge the connected mobile device
- Support HDMI specification features, including data rates up to 2.25 Gbps, 12-bit Deep Color
- Supports 3D
- MHL port support 1080p@30 Hz or 1080p@60 Hz



P/N	Interface	Input	Output	Deep Color	HD Audio	3D	HEC	ARC	4K×2K	CEC	EDID	HDCP
CFSW-51MHL	HDMI	5	1	Yes	Yes	Yes	-	-	-	-	-	Yes

4×2 HDMI Splitter with HEC

CPRO-3D42S

The CPRO-3D42S is a high performance HDMI switcher with four HDMI inputs and two HDMI outputs. The output ports support Audio Return Channel (ARC) from a compatible ARC TV and HDMI Ethernet Channel (HEC) following the HDMI specification.

The HDMI Switcher provides an S/PDIF link from the HDMI signal and output through the ARC port to an AVR amplifier to get audio from the sink.

The HEC feature adds a network connection to the HDMI link 100 Mbps Ethernet connection. Using an HDMI with HEAC cable allows for the convenient integration of internet capable HEAC Televisions into the end user's home network system.



- Supports multiplexed HDMI 4-input and 2-output
- Two output ports supporting Ethernet Channel (HEC) and Audio Return Channel (ARC) following the HDMI specification
- HDMI supports:
 - Audio Return Channel (ARC)
 - 3D
 - HDMI Ethernet Channel (HEC), enabling high-speed, bi-directional networking at up to 100 Mb/sec
- Deep Color support 36/30/24-bit
- EDID options include Standard, TV or Lock EDID feature
- Supports CEC bypass on HDMI OUT 1
- Audio support:
 - HDMI compatible audio interface
 - S/PDIF pass through

P/N	Interface	Input	Output	Deep Color	HD Audio	3D	HEC	ARC	4K×2K	CEC	EDID	HDCP
CPRO-3D42S	HDMI	4	2	Yes	Yes	Yes	Yes	Yes	-	-	-	Yes

1×4 / 1×3 / 1×2 HDMI Switcher

CLUX-41N / CLUX-31N / CLUX-21N

This series of multi-inputs and one output HDMI switcher ease user with 2/3/4 HDMI sources to be connected together for leisure selection favorites. With both auto and manual input selection it promises image display always and last memory to continue your last favorite input selection. EDID bypass function leave user with displaying its original best resolution. This switcher is also DVI compatible with converter connector.



• CLUX-41N



• CLUX-31N



• CLUX-21N

- HDMI, HDCP 1.1 and DVI 1.0 compliant
- Color depth supports 24/30/36-bit
- Supports high-definition audio such as Dolby Digital TrueHD and DTS-HD Master Audio
- Auto Signal Enhancement that can improve signal quality over long distance
- LED indicators
- EDID bypass
- HDMI 3D signal support
- HDMI input and output resolutions support:
 - PC: VGA, SVGA, XGA, SXGA, UXGA and WUXGA
 - HDTV: 480i, 480p, 576i, 576p, 720p@50/60, 1080i@50/60 and 1080p@24/50/60
- Controls via on-panel buttons and remote controller

P/N	Interface	Input	Output	Deep Color	HD Audio	3D	HEC	ARC	4K×2K	CEC	EDID	HDCP
CLUX-41N	HDMI	4	1	Yes	Yes	Yes	-	-	-	-	-	Yes
CLUX-31N	HDMI	3	1	Yes	Yes	Yes	-	-	-	-	-	Yes
CLUX-21N	HDMI	2	1	Yes	Yes	Yes	-	-	-	-	-	Yes

4×1 HDMI Mountable Switcher

CPRO-41W

This is a high performance four-input & one-output HDMI switcher with digital audio inputs and outputs. It supports an HDCP repeater function and fast switching between any of the four HDMI input ports. The system supports all 3D TV formats in addition to all HDTV formats up to 1080p 12-bit Deep Color. Wall mounted design for specific installations. Premium professional grade unit includes HDCP repeater, Sink EDID, Audio Return Port, Info frame, On Screen Display control, Remote control, RS-232 computer control.

- Support multiplexed HDMI 4-input and 1-output
- HDMI supports Audio Return Channel, 3D, and CEC
- Fast switching on all HDMI input ports
- Character and icon based On-Screen Display (OSD)
- HDCP repeater support
- Deep Color support 36/30/24-bit, 1080p@60 Hz
- HDMI cable distance tested with 1080p 8/12-bit resolution, the input & output distance up to 10m & 15m
- Audio supports HDMI 1.4 compatible audio interface
- Dedicated, flexible audio input/output port, Dolby TrueHD, DTS-HD Master Audio 7.1CH and full audio input and output support



P/N	Interface	Input	Output	Deep Color	HD Audio	3D	HEC	ARC	4K×2K	CEC	EDID	HDCP
CPRO-41W	HDMI	4	1	Yes	Yes	Yes	-	Yes	-	Bypass	-	Yes

4×1 HDMI Switcher

CPRO-3D41GAME

This HDMI 4×1 Switcher is a high performance four-input and one-output High-Definition Multimedia Interface (HDMI) switcher with Audio Channel Return (ARC) and HDCP repeater functions along with fast switching between HDMI input ports. The system supports all 3D TV formats in addition to all HDTV formats up to 1080p 12-bit Deep Color. The included remote control gives users complete control over the selection of sources and makes the device incredibly user friendly.

- Support multiplexed HDMI 4-input and 1-output
- HDCP 1.4 and CEC1.4 compliant
- HDMI support:
 - Audio Return Channel (ARC)
 - 3D TV support
 - CEC1.4
- Fast switching on all HDMI input ports
- Character and icon based On-Screen Display (OSD) supports:
 - System information for Software version
 - Sink EDID
 - Source info frame
 - HDMI input Audio and Audio Return selection



- HDCP repeater support
- Deep Color support 36/30/24-bit, 1080p@60 Hz
- High resolution input and output support:
 - PC: VGA to WUXGA
 - HDTV: 480i to 1080p@50/60 Hz, 1080p@24 Hz
- Supports HDMI input cable lengths of up to 10 meters (8/12-bit) and HDMI output cable lengths of up to 15 meters (8/12-bit)
- Audio support:
 - v1.4 HDMI compatible audio interface
 - Dedicated, flexible audio input/output port
 - Dolby TrueHD or DTS-HD Master Audio bypass
 - Full audio input and output support

P/N	Interface	Input	Output	Deep Color	HD Audio	3D	HEC	ARC	4K×2K	CEC	EDID	HDCP
CPRO-3D41GAME	HDMI	4	1	Yes	Yes	Yes	-	Yes	-	Bypass	-	Yes

4×1 HDMI Mountable Switcher

CLUX-41W

The CLUX-41W is an high performance HDMI Switcher with a remote control. It allows your various HDMI sources to share one HDTV display. Simply press a button to select your desired HDMI source to be displayed on the HDTV.

- Deep color video up to 12-bit, 1080p@60Hz
- Four HDMI sources to connect up to a HDMI display simultaneously
- Supports DVI source and DVI display by using adaptor cables
- Supports LPCM 7.1 CH, Dolby TrueHD, Dolby Digital Plus and DTS-HD Master Audio transmission (32-192 kHz Fs sample rate)
- Supports a wide range of PC monitor and HDTV resolutions from VGA to UXGA and 480i to 1080p
- Full HDCP Compliant
- Support xvYCC
- Support CEC bypass
- Support Sys. Reset function with hot key switch to reset the system within 8~10 minutes into factory mode



P/N	Interface	Input	Output	Deep Color	HD Audio	3D	HEC	ARC	4K×2K	CEC	EDID	HDCP
CLUX-41W	HDMI	4	1	Yes	Yes	Yes	-	-	-	Bypass	-	Yes

3×1 HDMI Switcher

CLUX-31GAME

This HDMI 3×1 Switcher allows the user to input three HDMI sources and easily switch between these sources to provide a single HDMI output to a display or AV receiver. The CEC and EDID bypass function allows HDMI devices to turn both the source and display on or off with a simple touch. The Switcher is also DVI compatible when using a DVI to HDMI adaptor cable (available separately), allowing the integration of DVI devices such as PCs with HDMI devices such as Blu-players or game consoles.



- HDMI, HDCP 1.1 and DVI 1.0 compliant
- Supports 30/36-bit color depth display
- Supports High Definition audio – Dolby Digital TrueHD and DTS-HD Master Audio
- Includes an Automatic Signal Enhancement feature that can improve signal quality over long distances
- Supports push-button switching and auto-switching of HDMI sources
- LED indicators for input selection

- Ideal for integrating your game consoles into your home entertainment system
- Supports CEC and EDID bypass functions
- Optional USB Power for simplified installation
- High resolution input supports:
 - PC: VGA, SVGA, XGA, SXGA, UXGA (1600×1200) and 1920×1200(RB)
 - HDTV: 480i, 480p, 576i, 576p, 720p, 1080i and 1080p
- Easy to install and operate

P/N	Interface	Input	Output	Deep Color	HD Audio	3D	HEC	ARC	4K×2K	CEC	EDID	HDCP
CLUX-31GAME	HDMI	3	1	Yes	Yes	Yes	-	-	-	Bypass	-	Yes

8×1 / 6×1 HDMI Switcher

CLUX-81 / CLUX-61

High performance HDMI switcher with remote control. Allows your various HDMI sources to share one HDTV display. Simply pressing one button to cycle through to your desired HDMI source or select each directly via the included remote control.

- Signal Enhancement feature allows you to improve signal quality after long distance transmission or poor cables
- LED indicators
- Ideal for home theater integration
- Supports high resolution input:
PC: VGA, SVGA, XGA, SXGA, UXGA and WUXGA (1920 x 1200)
HDTV: 480i, 576i, 480p, 576p, 720p, 1080i, and 1080p
- Remote control
- Easy to install and simple to operate



• CLUX-81



• CLUX-61

P/N	Interface	Input	Output	Deep Color	HD Audio	3D	HEC	ARC	4K×2K	CEC	EDID	HDCP
CLUX-81	HDMI	8	1	Yes	Yes	Yes	-	-	-	-	-	Yes
CLUX-61	HDMI	6	1	Yes	Yes	Yes	-	-	-	-	-	Yes

4×2 HDMI Switcher with Analog Audio

CLUX-42SA

High performance 4 Way HDMI Switcher with dual HDMI splitter output to two monitors. Quality metal cased unit with remote control. Optional Stereo Analogue (L/R) Inputs converted to digital audio and inserted into the HDMI line if required.

- Deep color video up to 12bit, 1080p@60Hz
- Four HDMI sources to connect up to two HDMI displays View
- One source simultaneously on two monitors
- Supports DVI source and DVI display by using adaptor cable
- Dolby Digital, DTS digital audio transmission (32-192kHz)
- Supports a wide range of PC and HDTV resolutions from VGA to UXGA and 480i to 1080p
- HDMI cable distance test with 1080p resolution: Input/ Output source can run up to 10-15m
- Full HDCP Compliant
- Optional Stereo L/R Inputs to HDMI output



P/N	Interface	Input	Output	Deep Color	HD Audio	3D	HEC	ARC	4K×2K	CEC	EDID	HDCP
CLUX-42SA	HDMI	4	2	Yes	Yes	Yes	-	-	-	-	-	Yes

4×2 HDMI Switcher

CLUX-42S

High performance 4 Way HDMI Switcher with dual HDMI splitter output to two monitors. Quality metal cased unit with remote control.

- Deep color video up to 12bit, 1080p@60Hz
- Four HDMI sources to connect up to two HDMI displays
- One source simultaneously on two monitors
- Supports DVI source and DVI display by using adaptor cable
- Dolby Digital, DTS digital audio transmission (32-192kHz).
- Supports a wide range of PC and HDTV resolutions from VGA to UXGA and 480i to 1080p
- HDMI cable distance test with 1080p resolution: Input/ Output source can run up to 10-15m
- Full HDCP compliant



P/N	Interface	Input	Output	Deep Color	HD Audio	3D	HEC	ARC	4K×2K	CEC	EDID	HDCP
CLUX-42S	HDMI	4	2	Yes	Yes	Yes	-	-	-	-	-	Yes

4×2 HDMI Switcher

CLUX-42E

This is a high performance HDMI Distributor with Switcher. It allows your various HDMI source to share two HDTV display. Simply press one button to select your desired HDMI source to display on the HDTV. It is compatible to HDMI specifications that can transfer Deep Color (10-bit and 12-bit) video and new lossless compressed (LPCM 7.1CH, Dolby TrueHD, Dolby Digital Plus and DTS-HD Master Audio) digital audio, with a high bandwidth up to 225MHz (6.75Gbps). It also does signal amplification and equalization, so as to provide high performance I/O of audio and video.

- HDMI, HDCP1.1 and DVI1.0 compliant
- Deep color video up to 12bit, 1080p@ (24/60) Hz
- Four HDMI sources to connect up to two HDMI displays simultaneously
- Supports DVI source and DVI display by using HDMI to/ from DVI adaptor cable
- Supports LPCM 7.1CH, Dolby TrueHD, Dolby Digital Plus and DTS-HD Master Audio transmission (32-192kHz Fs sample rate)
- Supports a wide range of PC and HDTV resolutions from VGA to UXGA and 480i to 1080p
- Supports signal amplification and equalization before transmitting
- Support xvYCC



- Support CEC bypass
- HDMI cable distance test with 1080p/8bits resolution the, Input/Output source can run up to 20/15 meters. If 1080p/12bits the Input/Output source can run up to 20/15 meters
- Supports EDID functionality. The unit will detect the first HDMI/DVI output source's EDID and record in the unit. If the first detected output source is empty it will pass to next source, until the first HDMI/DVI been detected
- When user reconnected ALL the output sources or re-plug the power, the system will automatically recover the EDID

P/N	Interface	Input	Output	Deep Color	HD Audio	3D	HEC	ARC	4K×2K	CEC	EDID	HDCP
CLUX-42E	HDMI	4	2	Yes	Yes	Yes	-	-	-	-	-	Yes

4×1 HDMI Switcher with Digital Audio

CLUX-41AT

A high performance HDMI Switcher with a remote control. It allows your various HDMI sources to share one HDTV display. Simply press a button to select your desired HDMI source to be displayed on the HDTV.

- Supports 30/36 bit color depth display
- Supports High Definition audio-Dolby Digital, True HD and DTS-HD
- Signal enhancement feature allows you to improve signal quality after long distance transmission
- Supports input/output resolutions:
PC: VGA, SVGA, XGA, SXGA, UXGA (1600×1200) and WUXGA (1920×1200)
HDTV: 480i, 480p, 576i, 576p, 720p, 1080i and 1080p
- Remote control



P/N	Interface	Input	Output	Deep Color	HD Audio	3D	HEC	ARC	4K×2K	CEC	EDID	HDCP
CLUX-41AT	HDMI	4	1	Yes	Yes	Yes	-	-	-	-	-	Yes

4×2 HDMI Switcher

CLUX-4S2

The 4x2 HDMI switch allows four HDMI sources such as DVD/BLU-Ray players to send audio/video signals to two HDMI displays. Thanks to the included remote control you no longer have to manually connect your various gadgets, all you have to do is plug them into the CLUX-4S2 and using the remote to decide which source goes to which display. Helping you switch between various HDMI devices with ease, the CLUX-4S2 HDMI switch is a sleek and stylish device that solves your HDMI switching needs.

- Supports HDMI with Deep Color Video at up to 36 bits (12bits/color) and a new lossless compressed (Dolby TrueHD, Dolby Digital Plus and DTS-HD Master Audio) digital audio
- Equalizes and recovers incoming TMDS data before

re-transmitting it with perfect quality regardless of the incoming signal

- Supports high definition input/output at up to 1080p@60Hz
- Supports CEC function



P/N	Interface	Input	Output	Deep Color	HD Audio	3D	HEC	ARC	4K×2K	CEC	EDID	HDCP
CLUX-4S2	HDMI	4	2	Yes	Yes	Yes	-	-	-	-	-	Yes

4×1 HDMI Switcher

CLUX-41AP

A high performance HDMI Switcher with a remote control. It allows your various HDMI sources to share one HDTV display. Simply press a button to select your desired HDMI source to be displayed on the HDTV.

- Supports 30/36 bit color depth display
- Supports High Definition audio-Dolby Digital, True HD and DTS-HD
- Signal enhancement feature allows you to improve signal quality after long distance transmission
- Supports high resolution input:
PC: VGA, SVGA, XGA, SXGA, UXGA and 1920×200
HDTV: 480i, 480p, 576i, 576p, 720p, 1080i and 1080p
- Remote control



P/N	Interface	Input	Output	Deep Color	HD Audio	3D	HEC	ARC	4K×2K	CEC	EDID	HDCP
CLUX-41AP	HDMI	4	1	Yes	Yes	Yes	-	-	-	-	-	Yes

8×1 / 6×1 / 4×1 HDMI CEC Switcher

CLUX-C81C / CLUX-C61C / CLUX-C41C

This is a high performance HDMI switcher that allows for various HDMI sources to share one HDTV display. Features CEC control functions and supports deep color, xvYCC and RS232 control. Simply press one button select your desired HDMI source to display on the HDTV or use remote control to control your sources from a distance. Switching from one HDMI input source to another will no longer be an inconvenience.

- Supports deep color display RGB/YCbCr 4:4:4 24/30/36 bits
- Supports color space YCbCr 4:2:2 16/20/24 bits
- Supports high definition audio – Dolby Digital True HD and DTS-HD
- Signal Enhancement feature allows signal quality improvement after long distance transmission
- HDMI cable distance test with 1080p/8-bit resolution, the input/output can reach up to 15/15 meters. If running at 1080p/12-bit, the input/output can reach up to 15/6 meters
- Resolutions support up to UXGA and 1080p@24
- With remote control function
- Supports RS-232 operation
- Supports CEC control function
- Supports xvYCC



• CLUX-C81C



• CLUX-C61C



• CLUX-C41C

P/N	Interface	Input	Output	Deep Color	HD Audio	3D	HEC	ARC	4K×2K	CEC	EDID	HDCP
CLUX-C81C	HDMI	8	1	Yes	Yes	Yes	-	-	-	Bypass	-	Yes
CLUX-C61C	HDMI	6	1	Yes	Yes	Yes	-	-	-	Bypass	-	Yes
CLUX-C41C	HDMI	4	1	Yes	Yes	Yes	-	-	-	Bypass	-	Yes

4×1 / 3×1 / 2×1 HDMI Switcher

CLUX-41SY / CLUX-31SY / CLUX-21SY

A high performance HDMI switcher. It allows 2/3/4 HDMI sources to share on one HDTV display. Simply pressing the input button on the front or the remote to select your desired HDMI source.

- Support High Definition audio-Dolby Digital True HD and DTS-HD
- Auto Signal Enhancement feature can improve signal quality after long distance transmission
- Supports PC resolution input VGA, SVGA, XGA, SXGA, UXGA (1600 x 1200) and 1920 x 1200 and HDTV 480i, 480p, 576i, 576p, 720p, 1080i and 1080p
- Includes remote control (except for CLUX-21SY)



• CLUX-41SY



• CLUX-31SY

• CLUX-21SY

P/N	Interface	Input	Output	Deep Color	HD Audio	3D	HEC	ARC	4K×2K	CEC	EDID	HDCP
CLUX-41SY	HDMI	4	1	Yes	Yes	Yes	-	-	-	-	-	Yes
CLUX-31SY	HDMI	3	1	Yes	Yes	Yes	-	-	-	-	-	Yes
CLUX-21SY	HDMI	2	1	Yes	Yes	Yes	-	-	-	-	-	Yes

4×2 HDMI Switcher

CHDMI-42E

Cypress CHDMI-42E is a high performance 4-input dual outputs HDMI switcher with remote control. It allows you to connect up to 4 HDMI Sources so they can share two HDMI displays. Two HDMI outputs are identical. Simply pressing one button you can select your desired HDMI source for display on two HDMI TVs simultaneously.

- Signal Enhancement feature allow you to improve signal quality after long distance transmission
- LED indicators
- Supports high resolution input:
PC: VGA, SVGA, XGA, SXGA, and UXGA (1600×1200)
HD: 480i, 576i, 480p, 576p, 720p, 1080i, and 1080p
- Remote control



P/N	Interface	Input	Output	Deep Color	HD Audio	3D	HEC	ARC	4K×2K	CEC	EDID	HDCP
CHDMI-42E	HDMI	4	2	-	-	-	-	-	-	-	-	Yes

4×1 HDMI Switcher with Digital Audio

CHDMI-41AT

A high performance HDMI select switch with remote control. It is to be placed between your various HDMI sources and HDTV display. Simply pressing a button on the front or the remote can select your desired HDMI source for display on the HDTV.

- Built-in signal enhancer to improve signal quality after long distance transmission or poor cable quality, etc
- LED indicators of source selected
- Supports high resolution input:
PC: VGA, SVGA, XGA, SXGA, and UXGA (1600×1200)
HD: 480i, 576i, 480p, 576p, 720p, 1080i, and 1080p
- Direct source select remote control included with all models



- Supports separate Coax & Optical audio switch
- Supports RS-232 control port

P/N	Interface	Input	Output	Deep Color	HD Audio	3D	HEC	ARC	4K×2K	CEC	EDID	HDCP
CHDMI-41AT	HDMI	4	1	-	-	-	-	-	-	-	-	Yes

4×1 / 3×1 HDMI Switcher

CHDMI-41 / CHDMI-31

The CHDMI-41/CHDMI-31 is a high performance HDMI switcher with remote control. It allows your various HDMI sources to share one HDTV. Simply pressing one button to select your desired HDMI source for display on the HDTV.

- HDMI 1.2, HDCP 1.1 and DVI 1.0 compliant
- Signal Enhancement feature allows you to improve signal quality after long distance transmission
- Supports PC resolution input: VGA, SVGA, XGA, SXGA, and UXGA (1600 x 1200) &
- Supports HDTV resolution input: 480i, 576i, 480p, 576p, 720p, 1080i, and 1080p
- Remote control



• CHDMI-41

• CHDMI-31

P/N	Interface	Input	Output	Deep Color	HD Audio	3D	HEC	ARC	4K×2K	CEC	EDID	HDCP
CHDMI-41	HDMI	4	1	-	-	-	-	-	-	-	-	Yes
CHDMI-31	HDMI	3	1	-	-	-	-	-	-	-	-	Yes

DVI Switcher

8×1 / 6×1 / 4×1 / 3×1 DVI Switcher

CDVI-81 / CDVI-61 / CDVI-41 / CDVI-31

This DVI Switcher series are high performance components with remote. Place between your various DVI input sources and a DVI display monitor. Simply pressing a button on the front panel or directly on the remote you can select your desired DVI source for display on the DVI monitor output.

- Signal enhancer to improve image quality compensates cable losses
- Supports PC resolution input VGA, SVGA, XGA, SXGA, and UXGA (1600×1200) and HDTV 480i, 576i, 480p, 576p, 720p, 1080i and 1080p @60Hz
- Remote control included and LED indicators



• CDVI-81



• CDVI-31

P/N	Interface	Input	Output	Deep Color	HD Audio	3D	HEC	ARC	4K×2K	CEC	EDID	HDCP
CDVI-81	DVI SL	8	1	-	-	-	-	-	-	-	-	Yes
CDVI-61	DVI SL	6	1	-	-	-	-	-	-	-	-	Yes
CDVI-41	DVI SL	4	1	-	-	-	-	-	-	-	-	Yes
CDVI-31	DVI SL	3	1	-	-	-	-	-	-	-	-	Yes

3G-SDI Switcher

4×4 / 4×2 3G-SDI Switcher

CSDI-44

CSDI-42



The SDI Switcher series allows SD-SDI, HD-SDI and 3G-SDI signals to be shown on SDI displays while ensuring high bit rates of 2.970 Gbit/s to give you fast signal transmission without any loss. Designed for professionals, this product makes it easier to switch between four SDI sources and split them to four SDI displays. With a maximum range of up to 300 meters, this switcher is a fine companion to those who work with SDI sources and displays.

- Four 3G-SDI input sources can selected as the source and split to four 3G-SDI displays simultaneously
- Operation at 2.970 Gb/s, 2.970/1.001 Gb/s, 1.485 Gb/s, 1.485/1.001 Gb/s and 270 Mb/s
- Supports SMPTE 425 M (Level A and Level B), SMPTE 424 M, SMPTE 292 M, SMPTE 259 M-C
- Supports resolutions up to 1080p Full HD at 60 Hz
- The signal is equalized and re-clocked prior to transmission
- IR remote controlled source and destination control
- Supports a maximum input and output distance of up to 300 M for SD signals, 200 M for HD signals and 100 M for 3G signals

P/N	Interface	Input	Output	Deep Color	HD Audio	3D	HEC	ARC	4K×2K	CEC	EDID	HDCP
CSDI-44	SDI	4	4	-	-	-	-	-	-	-	-	-
CSDI-42	SDI	4	2	-	-	-	-	-	-	-	-	-

Analog Video Switcher

4x1 Component Video Switcher CHDD-41AR



The CHDD-41AR is designed for switching between various HD and SD sources for sharing one TV display. Simply pressing a button on remote control you can select your desired HD/SD source for display on the TV monitor.

- Component/ composite switcher
- Ideal for home theater and presentation application
- High bandwidth performance 650MHz at -3dB
- IR remote control
- Easy to install and operate- plug and play solution gets to work immediately
- Controls either through input selection button on the front panel or using included infrared remote control
- RS-232 interface allows control from a distant device.
- Supports HDTV high resolution : 480i, 576i, 480p, 576p, 720p, 1080i and 1080p
- Supports audio formats: S/PDIF (digital) and L/R (analog)

4x1 VGA Switcher CPCD-41AR



The CPCD-41AR is perfect solution for switching between various PC/HDTV sources such as PCs, DVD to share one display monitor, TV or projector with resolution up to WUXGA/1080p.

- LED indicators
- IR remote control
- Supports high resolution PC input: VGA, SVGA, XGA, SXGA,UXGA(1600x 1200) and WUXGA(1920x1200)
- Supports high resolution HDTV input: 480i, 576i, 480p, 576p, 720p, 1080i and 1080p
- Bandwidth supports 650 MHz
- Plug and play, easy to install and operate
- Built-in advance circuit ensures a smooth transition when switching from one PC/HD source into another
- RS-232 interface allows control from a distant device
- Ideal for presentation and large shop intergration
- Audio format: L/R analog

P/N	Interface	Input	Output	Deep Color	HD Audio	3D	HEC	ARC	4Kx2K	CEC	EDID	HDCP
CHDD-41AR	Component	4	1	-	-	-	-	-	-	-	-	-
CPCD-41AR	PC	4	1	-	-	-	-	-	-	-	-	-

4x1 Composite Video/S-Video Switcher CVSD-41ARN / CVSD-41AR

The CVSD-41ARN is designed for switching between video & S-video sources. Such as VCR,DVD player, etc. to share one TV display.

- LED indicators
- IR remote control
- Supports standard video sources: 480i, 576i.
- Controls either through input selection button on the front panel or using included infrared remote control
- RS-232 interface allows control from a distant device
- Support audio format: L/R (analog) or PC AMP speaker system (option)

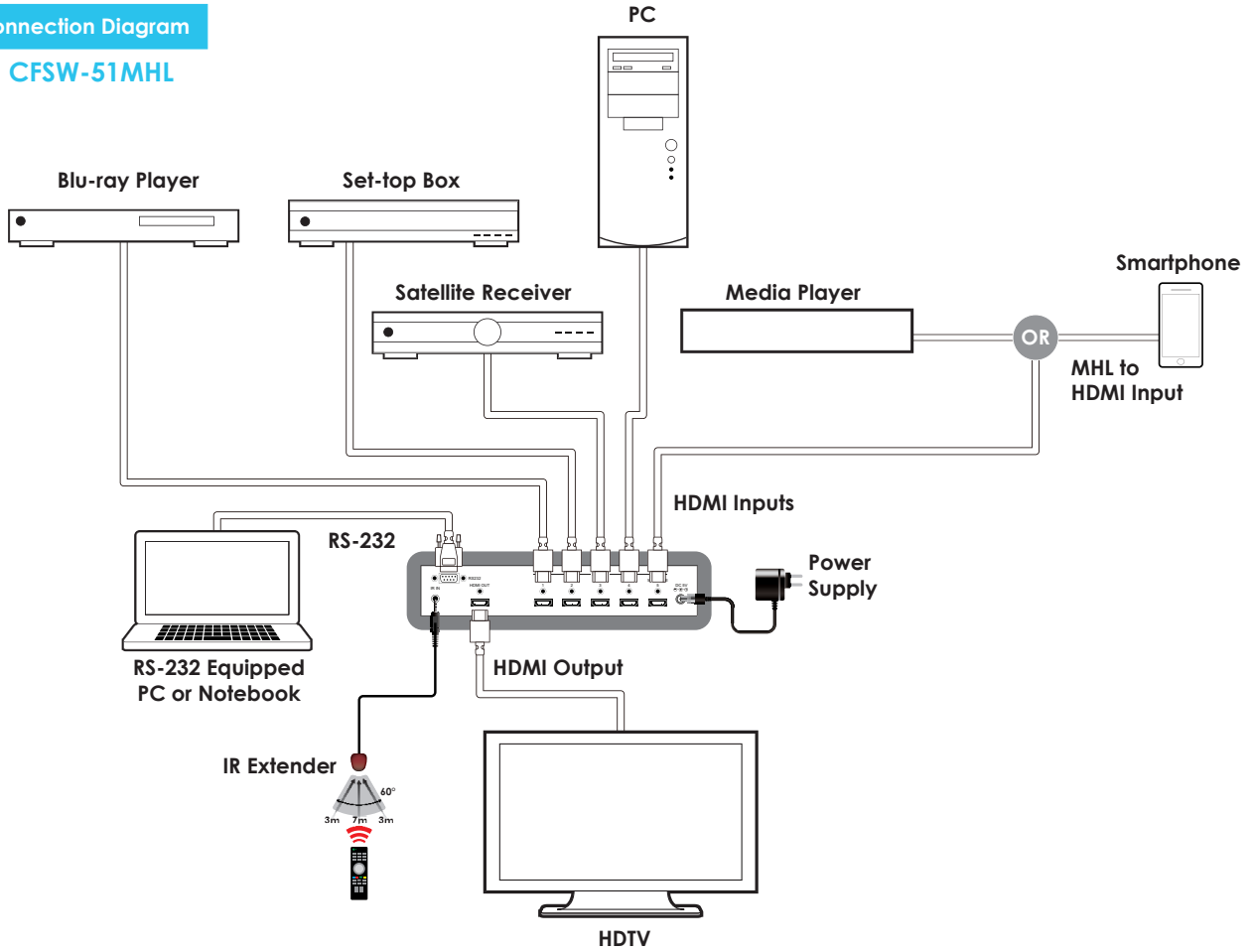


• CVSD-41ARN

P/N	Interface	Input	Output	Deep Color	HD Audio	3D	HEC	ARC	4Kx2K	CEC	EDID	HDCP
CVSD-41ARN	CV/SV	4	1	-	-	-	-	-	-	-	-	-
CVSD-41AR	CV/SV	4	1	-	-	-	-	-	-	-	-	-

Connection Diagram

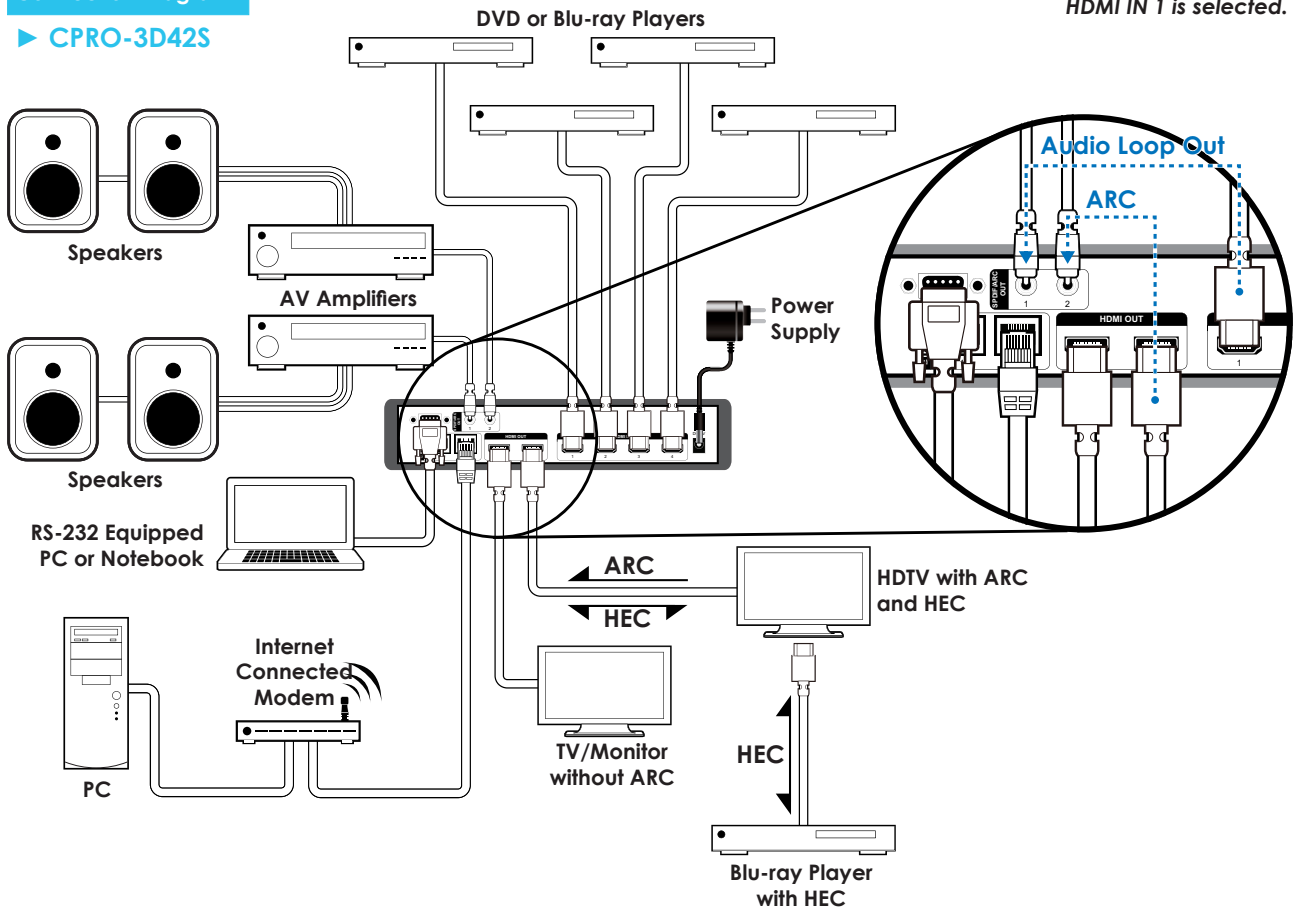
► CFSW-51MHL



Connection Diagram

► CPRO-3D42S

Note: In this example, HDMI IN 1 is selected.



HDMI Over HDBaseT 100m Extender

8 HDMI over CAT5e/6/7 Point-to-Point Transmitter with 8x8 IR Matrix

CSI-8H8CV2IR



The 8 HDMI over CAT6 Point-to-Point Transmitter (with IR Matrix) supports the transmission of Video (up to 1080p Full HD/1920x1200@60 Hz) with multichannel digital audio, up to eight pairs of high definition source and CAT5e/6 output. It supports digital audio formats such as LPCM 7.1CH, Dolby TrueHD, Dolby Digital Plus and DTS-HD Master Audio. 3D content can be displayed when connecting a 3DTV and 3D source. The Transmitter allows the point-to-point connection between source equipment and output display, over distances up to 100 meters along with PoE (Power over Ethernet) feature. There is a built-in crosspoint IR matrix providing additional control over 8-in-8-out IR channels.



- Supports Stereo digital audio signal input and output
- Supports high bit-rate audio up to 192 kHz
- Supports resolutions VGA~WUXGA and 480i~1080p dependent upon the output display's EDID settings
- Supports extension up to 80 meters through CAT5e or 100 meters through CAT6/7
- Supports HDMI 3D and 4Kx2K signal display dependent upon the output display's EDID settings
- Supports HDMI input up to 15 meters at 8-bit resolution or 10 meters at 12-bit resolution
- Supports bi-directional IR from input and output locations

- Supports RS-232, remote control and on-panel control
- Supports PoE (Power over Ethernet) on compatible receivers only
- 2U size design

P/N	Input Interface	Output Interface	Input	Output	IR Extension	RS-232 Extension	PoE	Ethernet	Extender Cable	HD Audio	3D/4K	HDCP
CSI-8H8CV2IR	HDMI	CAT5e/6/7	8	8	Yes	-	Yes	-	CAT5e/6/7	Yes	Yes	Yes

8 HDMI over CAT5e/6/7 Point-to-Point Transmitter

CSI-8H8CVTX



The HDMI over CAT6 Transmitter supports the transmission of uncompressed video (up to 1080p@60 Hz/36-bit) with multichannel digital audio from up to eight high definition sources to up to eight CAT6 outputs. Also, the unit can be used in conjunction with the 8x8 HDMI matrix (optional) to provide switching control, allowing the display of any source device on any output display.



- Supports PoE (Power over Ethernet) on compatible receivers only
- Supports high bit-rate audio up to 192 kHz
- Supports resolutions VGA~WUXGA and 480i~1080p dependent upon the output display's EDID settings
- Supports audio up to 7.1Ch, Dolby TrueHD and DTS-HD Master Audio
- Supports uncompressed video up to 1080p@60 Hz/36-bit
- Supports extension up to 80 meters through CAT5e or 100 meters through CAT6/7
- Supports HDMI 3D and 4Kx2K signal display dependent upon the output display's EDID settings
- Supports HDMI input up to 10 meters at 8-bit resolution or 6 meters at 12-bit resolution
- 1U size design

P/N	Input Interface	Output Interface	Input	Output	IR Extension	RS-232 Extension	PoE	Ethernet	Extender Cable	HD Audio	3D/4K	HDCP
CSI-8H8CVTX	HDMI	CAT5e/6/7	8	8	-	-	Yes	-	CAT5e/6/7	Yes	Yes	Yes

HDMI over CAT5e/6/7 Extender with 3 LAN Ports/PoE/IR/RS-232

CH-1109TXC



CH-1109RXC



The device that can make your home or office more efficient, the CH-1109TXC & RXC is capable of sending HDMI (uncompressed audio/video), Ethernet connections and control ports (through the built-in RS-232 and IR ports) over a single CAT5e/CAT6 up to a distance of 100m (300 ft.). Even more, it is adaptor free at the receiver end. Further, with the HDMI bypass is designed to allow instant display at the control point. So, if you wish to make your home or office more efficient, get the HDMI over Single CAT5e/CAT6 with LAN/PoE & IR Extender and prepare to be amazed.

- Supports HDMI 3D, 4Kx2K resolution and CEC bypass functions
- Simultaneous transmission of uncompressed video and audio (1080p@60Hz/-Deep Color) over a single CAT5e/ CAT6 type cable for up to 100 m (300 ft.)
- Connect and share up to 6 Ethernet connections at speeds up to 100 Mbps
- 5Play™ convergence
- Single power supply powers both units
- Supports PoE (Power over Ethernet)

P/N	Input Interface	Output Interface	Input	Output	IR Extension	RS-232 Extension	PoE	Ethernet	Extender Cable	HD Audio	3D/4K	HDCP
CH-1109TXC	HDMI	HDMI	1	1	Yes	Yes	Yes	Yes	CAT5e/6/7	Yes	Yes	Yes
CH-1109RXC												

HDMI over CAT5e/6/7 Extender with IR/RS-232

CH-506TX



CH-506RX



This HDBaseT™ HDMI over Single CAT5e/6/7 Transmitter and Receiver Set can send uncompressed audio/video over a single run of CAT5e/6/7 cable up to 100m (1080p) and has the added benefit of control through the built-in RS-232 and 2-way IR.

- HDMI including 3D and 4kx2k (Ultra HD) support, HDCP and DVI compliant
- Supports HDCP repeater and CEC functions
- Simultaneous transmission of uncompressed data over a single CAT5e/6/7 cable up to 100 m/328 ft (1080p@60 Hz/8-bit), 40m (3D) or 20m (4kx2k)
- Supports HD resolutions up to 1080p@60Hz/36-bit and Ultra HD (4Kx2K)
- Audio support up to LPCM 7.1CH, Dolby TrueHD and DTS-HD Master Audio
- Supports HDBaseT Technology including 2-Way IR and RS-232
- Installation friendly

P/N	Input Interface	Output Interface	Input	Output	IR Extension	RS-232 Extension	PoE	Ethernet	Extender Cable	HD Audio	3D/4K	HDCP
CH-506TX	HDMI	HDMI	1	1	Yes	Yes	-	-	CAT5e/6/7	Yes	Yes	Yes
CH-506RX												

HDMI over CAT5e/6/7 Extender with LAN/PoE/IR/RS-232

CH-507TX



CH-507RX



The HDMI with RS-232 over Single CAT5e/CAT6 transmitter and receiver set can send uncompressed audio/video over a single run of CAT5e/6 cable up to 100 m with PoE feature and the added benefit of control through the built-in RS-232 and IR ports and a bi-directional LAN connection.

- HDMI with 3D, 4kx2k support, HDCP & DVI Compliant
- Supports CEC bypass
- Simultaneous transmission of uncompressed data over a single 100 m/328 ft CAT6/CAT5e cable
- Uncompressed video 1080p, 60 Hz, 36-bit
- Audio support up to 7.1CH & Dolby TrueHD, DTS-HD
- 5Play™ convergence: HDMI, LAN, PoE & Control (IR & RS-232)

P/N	Input Interface	Output Interface	Input	Output	IR Extension	RS-232 Extension	PoE	Ethernet	Extender Cable	HD Audio	3D/4K	HDCP
CH-507TX CH-507RX	HDMI	HDMI	1	1	Yes	Yes	Yes	Yes	CAT5e/6/7	Yes	Yes	Yes

HDMI over CAT5e/6/7 Extender with Bidirectional 24V PoE

CH-507TXBD



CH-507RXBD



The HDMI with RS-232 over Single CAT5e/6 transmitter and receiver set can send uncompressed audio/video over a single run of CAT5e/6 cable up to 100 m with PoE feature and the added benefit of control through the built-in RS-232 and IR ports and a bi-directional LAN connection.

- HDMI with 3D, 4kx2k support, HDCP & DVI Compliant
- Supports CEC bypass
- Simultaneous transmission of uncompressed data over a single 100 m/328 ft CAT5e/6 cable
- Uncompressed video 1080p, 60 Hz, 36-bit
- Audio support up to 7.1CH & Dolby TrueHD, DTS-HD
- 5Play™ convergence: HDMI, LAN, Bidirectional PoE & Control (IR & RS-232)

P/N	Input Interface	Output Interface	Input	Output	IR Extension	RS-232 Extension	PoE	Ethernet	Extender Cable	HD Audio	3D/4K	HDCP
CH-507TXBD CH-507RXBD	HDMI	HDMI	1	1	Yes	Yes	Yes	Yes	CAT5e/6/7	Yes	Yes	Yes

HDMI over CAT5e/6/7 Extender with LAN/48V PoE/IR/RS-232

CH-1507TX

CH-1507RX



The CH-1507 transmitter and receiver set can send uncompressed audio/video and IP data over a single run of CAT5e/6/7 cable at a distance up to 100 meters. It has the added benefit of control through the built-in RS-232 and IR ports and a bi-directional LAN serving connection. The Receiver (PD) can be powered by the PoE (48V) function of the transmitter (PSE), allowing for greater flexibility in installations.

- HDMI with 3D, 4Kx2K support, HDCP and DVI compliant
- Simultaneous transmission of uncompressed data over a single CAT5e/6/7 cable up to 100m/328ft
- HDBaseT 5Play™ convergence: uncompressed high definition Video and Audio, LAN serving, Power over Ethernet and RS-232/IR controls
- Uncompressed video support up to 1080p@60 Hz/36-bit
- High definition audio support up to LPCM 7.1CH, Dolby TrueHD, Dolby Digital Plus and DTS-HD Master Audio
- Supports audio sampling rates of 32 kHz to 192 kHz
- Supports standard 48V power from Transmitter (PSE) to Receiver (PD)
- Supports CEC bypass
- Installation friendly

P/N	Input Interface	Output Interface	Input	Output	IR Extension	RS-232 Extension	PoE	Ethernet	Extender Cable	HD Audio	3D/4K	HDCP
CH-1507TX	HDMI	HDMI	1	1	Yes	Yes	Yes	Yes	CAT5e/6/7	Yes	Yes	Yes
CH-1507RX												

HDMI over CAT5e/6/7 Extender with LAN/48V PoE/IR/RS-232

CH-2507TX

CH-2507RX



The CH-2507 transmitter and receiver set can send uncompressed audio/video and IP data over a single run of CAT5e/6 cable at a distance up to 100 meters with the added benefit of control through the built-in RS-232 and IR ports and a bidirectional LAN serving connection. The transmitter (PD) can be powered by the PoE (48V) function of the receiver (PSE), allowing for greater flexibility in installations.

- HDMI with 3D, 4Kx2K support, HDCP and DVI compliant
- Simultaneous transmission of uncompressed data over a single CAT5e/6/7 cable up to 100m/328ft
- HDBaseT 5Play™ convergence: uncompressed high definition Video and Audio, LAN serving, Power over Ethernet and RS-232/IR controls
- Uncompressed video support up to 1080p@60 Hz/36-bit
- High definition audio support up to LPCM 7.1CH, Dolby TrueHD, Dolby Digital Plus and DTS-HD Master Audio
- Supports audio sampling rates of 32 kHz to 192 kHz
- Support standard 48V power from Receiver (PSE) to Transmitter (PD)
- Supports CEC bypass
- Installation friendly

P/N	Input Interface	Output Interface	Input	Output	IR Extension	RS-232 Extension	PoE	Ethernet	Extender Cable	HD Audio	3D/4K	HDCP
CH-2507TX	HDMI	HDMI	1	1	Yes	Yes	Yes	Yes	CAT5e/6/7	Yes	Yes	Yes
CH-2507RX												

HDMI over CAT5e/6/7 Extender with IR/RS-232

CH-501TX

CH-501RX



The HDMI over Single CAT5e/CAT6 with IR transmitter and receiver set can make your home or office set-up more efficient and easy to use. Uncompressed HDMI video and audio can be transmitted over a single CAT 5e/CAT6 with the added benefit of control through the built-in RS-232 and IR ports up to 100m. It also features a HDMI bypass function that allows for local testing of the HDMI source.

- Supports HDMI with 3D, 4Kx2K support, HDCP and DVI Compliant
- Supports CEC bypass function
- Simultaneous transmission of uncompressed data up to 100 m/328 ft for CAT5e or CAT6 cable
- Uncompressed video 1080p, 60 Hz, 36-bit
- Audio support up to 7.1CH & Dolby TrueHD, DTS-HD Master Audio
- Various controls over HDMI, CEC, RS232 and IR

P/N	Input Interface	Output Interface	Input	Output	IR Extension	RS-232 Extension	PoE	Ethernet	Extender Cable	HD Audio	3D/4K	HDCP
CH-501TX CH-501RX	HDMI	HDMI	1	1	Yes	Yes	-	-	CAT5e/6/7	Yes	Yes	Yes

HDMI over CAT5e/6/7 Receiver with LAN/PoE

CH-515RXPT

The CH-515RXPT Receiver can receive uncompressed audio/video and IP data over a single run of CAT5e/6/7 cable up to distances of 100m. It has the added benefit of a bi-directional LAN serving, allowing devices such as a Smart TV or games consoles to share an Internet connection. The unit can be powered by PoE (Power over Ethernet) from a compatible transmitter, allowing for greater flexibility in installations.



- HDMI with 3D, 4Kx2K support, HDCP and DVI compliant
- Simultaneous transmission of uncompressed data over a single CAT5e/6/7 cable up to 100m/328ft
- Uncompressed video support up to 1080p@60 Hz/12-bit
- High definition audio support up to LPCM 7.1CH, Dolby TrueHD, Dolby Digital Plus and DTS-HD Master Audio
- Supports HDCP repeater and CEC function
- Installation friendly

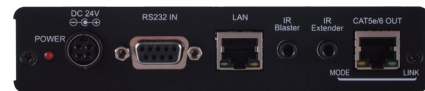
P/N	Input Interface	Output Interface	Input	Output	IR Extension	RS-232 Extension	PoE	Ethernet	Extender Cable	HD Audio	3D/4K	HDCP
CH-515RXPT	CAT5e/6/7	HDMI	1	1	-	-	Yes	Yes	CAT5e/6/7	Yes	Yes	Yes

PC/CV Video Scaler over CAT5e/6/7 Transmitter

CH-516TXAS



The CH-516TXAS is an HDBase™ Transmitter Scaler supporting PC or Composite Video input. It can scale and switch the video sources, and send the digitalized signal over a single run of CAT5e/6/7 cable to the Receiver at a distance up to 100 meters, along with an external audio input, 2-way IR, RS-232 and bidirectional LAN serving. Control is via on-panel buttons or IR remote control and there is an On-screen Display (OSD) providing selection and system information. The device provides a full range of output resolutions, up to 1080p and WUXGA (RB). The bidirectional Power over Ethernet (PoE) function provides greater flexibility in installations.



- Supports PC/CV scaling to a full range of HDTV or PC resolutions up to 1080p and WUXGA (RB)
- Transmission of uncompressed data over a single CAT5e/6/7 cable up to 100m/328ft
- 5Play™ convergence: uncompressed high definition Video and Audio, LAN serving, Power over Ethernet and RS-232/IR controls
- Supports Ethernet transmission rates up to 100 Mbps
- Supports bidirectional PoE, that is, when it's connected

to a compatible Receiver either end can work without PSU

- Controls via IR remote control and on-panel buttons
- Supports NTSC and PAL formats for Composite Video input
- Supports OSD (On-screen Display) selection and system information display

P/N	Input Interface	Output Interface	Input	Output	IR Extension	RS-232 Extension	PoE	Ethernet	Extender Cable	HD Audio	3D/4K	HDCP
CH-516TXAS	VGA/CV	CAT5e/6/7	2	1	Yes	Yes	Yes	Yes	CAT5e/6/7	Yes	-	Yes

HDMI over CAT5e/6/7 Receiver with Video Scaler

CH-517RXHS



The CH-517RXHS is an HDBase™ Receiver Scaler designed to scale the incoming video signal first, before output to its HDMI port. There is an Optical port providing additional audio extraction feature. Besides video and audio from the Transmitter, it also takes in 2-way IR, RS-232 and bidirectional LAN serving, over a single run of CAT5e/6/7 cable at a distance up to 100 meters. Control is via on-panel buttons or IR remote control and there is an On-screen Display (OSD) providing selection and system information. The device provides a full range of output resolutions, up to 1080p and WUXGA (RB). The bidirectional Power over Ethernet (PoE) function provides greater flexibility in installations.



- Supports HDMI scaling to a full range of HDTV or PC resolutions up to 1080p and WUXGA (RB)
- Transmission of uncompressed data over a single CAT5e/6/7 cable up to 100m/328ft
- 5Play™ convergence: uncompressed high definition Video and Audio, LAN serving, Power over Ethernet and RS-232/IR controls
- Supports Ethernet transmission rates up to 100 Mbps

- Supports bidirectional PoE, that is, when it's connected to a compatible Transmitter either end can work without PSU
- Controls via IR remote control and on-panel buttons
- Supports HDMI and S/PDIF audio sampling rates up to 48 kHz and audio format up to LPCM 2CH
- Supports OSD (On-screen Display) selection and system information display

P/N	Input Interface	Output Interface	Input	Output	IR Extension	RS-232 Extension	PoE	Ethernet	Extender Cable	HD Audio	3D/4K	HDCP
CH-517RXHS	CAT5e/6/7	HDMI	1	1	Yes	Yes	Yes	Yes	CAT5e/6/7	Yes	-	Yes

HDMI over CAT5e/6/7 Wall-Plate Extender

CH-506TXWP



CH-506RXWP



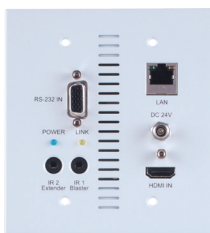
The device that can make your home or office more efficient, this unit of HDMI over Single CAT5e/6 can transmit and receive uncompressed audio/video, control through the built-in RS-232 and IR ports and Power over Ethernet (PoE) over 100m with wall plate design. This is a true HDBaseT™ solution which can greatly increase the efficiency and convenience of your home or office A/V system.

- HDMI with 3D, 4Kx2K support, HDCP & DVI Compliant
- Supports HDCP repeater and CEC bypass
- Simultaneously uncompressed data sending over a single 100M/328ft with CAT6 or CAT5e cable
- Supports uncompressed video of 36/30/24-bit Deep Color up to 1080p@60Hz
- Supports audio pass-through up to LPCM 7.1CH, Dolby TrueHD, and DTS-HD Master Audio
- 4Play convergence: HDMI, PoE & Control (IR & RS-232)
- Wall plate design and Installation Friendly

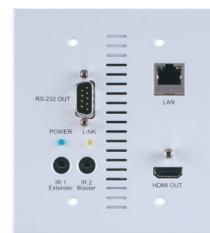
P/N	Input Interface	Output Interface	Input	Output	IR Extension	RS-232 Extension	PoE	Ethernet	Extender Cable	HD Audio	3D/4K	HDCP
CH-506TXWP	HDMI	HDMI	1	1	Yes	Yes	Yes	-	CAT5e/6/7	Yes	Yes	Yes
CH-506RXWP												

HDMI over CAT5e/6/7 Wall-Plate Extender

CH-507TXWPUS



CH-507RXWPUS



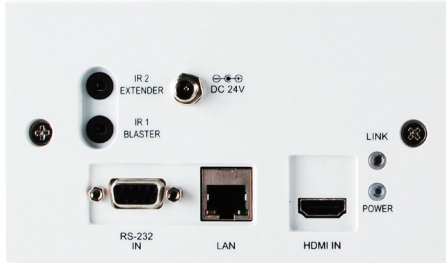
The CH-507TXWPUS / CH-507RXWPUS is an HDMI over Single CAT5e/6/7 wall-plate transmitter and receiver set that can transmit and receive uncompressed audio/video over a single run of CAT5e/6/7 cable up to 100m with PoE, IR, RS232 and LAN of a data transmission rate of 100Mbps. A true HDBaseT 5Play™ solution to make your home or office more efficient and easy with control.

- HDMI with 3D, 4Kx2K supported, HDCP & DVI compliant
- Supports HDCP repeater and CEC bypass
- Simultaneous transmission of uncompressed data over a single CAT5e/6/7 cable up to 100m/328ft
- HDBaseT 5Play™ convergence: uncompressed high definition Video and Audio, LAN serving, Power over Ethernet and RS-232/IR controls
- Uncompressed video support up to 3840x2160@30 Hz or 4096x2160@24 Hz
- High definition audio support up to LPCM 7.1CH, Dolby TrueHD, Dolby Digital Plus and DTS-HD Master Audio
- US 2 gang wall-plate design

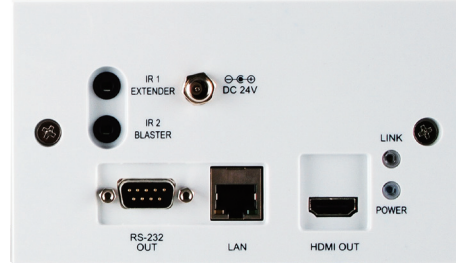
P/N	Input Interface	Output Interface	Input	Output	IR Extension	RS-232 Extension	PoE	Ethernet	Extender Cable	HD Audio	3D/4K	HDCP
CH-507TXWPUS	HDMI	HDMI	1	1	Yes	Yes	Yes	Yes	CAT5e/6/7	Yes	Yes	Yes
CH-507RXWPUS												

HDMI over CAT5e/6/7 Wall-Plate Extender with Bidirectional 24V PoE

CH-507TXWPBD



CH-507RXWPBD



The HDMI over single CAT5e/6 wall-plate transmitter and receiver set can transmit and receive uncompressed audio/video over a single run of CAT5e/6 cable up to 100m with bi-directional PoE & IR functions, LAN of a data transmission rate of 100Mbps & RS-232 features. This is a true HDBaseT™ 5Play solution which can greatly increase the efficiency and convenience of your home or office A/V system.

- HDMI with 3D, 4Kx2K support, HDCP & DVI Compliant
- Supports HDCP repeater and CEC bypass
- Simultaneously uncompressed data sending over a single 100M/328ft with CAT6 or CAT5e cable
- Supports uncompressed video of 36/30/24-bit Deep Color up to 1080p@60Hz
- Supports audio pass-through up to LPCM 7.1CH, Dolby TrueHD, and DTS-HD Master Audio
- 5Play™ convergence: HDMI, bi-directional PoE, (bi-directional IR & RS232) & LAN
- Wall plate design and installation friendly

P/N	Input Interface	Output Interface	Input	Output	IR Extension	RS-232 Extension	PoE	Ethernet	Extender Cable	HD Audio	3D/4K	HDCP
CH-507TXWPBD	HDMI	HDMI	1	1	Yes	Yes	Yes	Yes	CAT5e/6/7	Yes	Yes	Yes
CH-507RXWPBD												

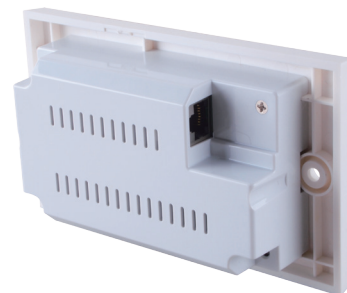
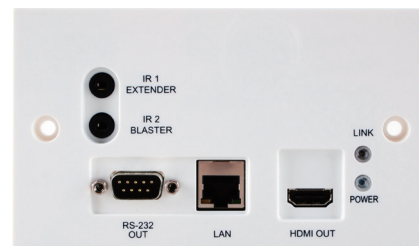
HDMI over CAT5e/6/7 Wall-Plate Receiver

CH-507RXWP



The device that can make your home or office more efficient, this unit of HDMI over Single CAT5e/6 can receive uncompressed audio/video, RS-232 and IR control ports, Power on Ethernet (PoE) and Ethernet over 100M with wall plate design. This is a true HDBaseT™ 5Play solution which can greatly increase the efficiency and convenience of your home or office A/V system.

- HDMI with 3D, 4Kx2K support, HDCP & DVI Compliant
- Supports HDCP repeater and CEC bypass
- Simultaneously uncompressed data sending over a single 100M/328ft with CAT6 or CAT5e cable
- Supports uncompressed video of 36/30/24-bit Deep Color up to 1080p@60Hz
- Supports audio pass-through up to LPCM 7.1CH, Dolby TrueHD, and DTS-HD Master Audio
- 5Play™ convergence: HDMI, POE, Control (IR & RS232) & LAN
- Wall plate design and installation friendly



P/N	Input Interface	Output Interface	Input	Output	IR Extension	RS-232 Extension	PoE	Ethernet	Extender Cable	HD Audio	3D/4K	HDCP
CH-507RXWP	CAT5e/6/7	HDMI	1	1	Yes	Yes	Yes	Yes	CAT5e/6/7	Yes	Yes	Yes

HDMI/DVI Over HDBaseT 70m Extender

HDMI over CAT5e/6/7 Extender with PoE

CH-506TXPL



CH-506RXPL



This HDBaseT™ HDMI over Single CAT5e/6/7 Transmitter and Receiver Set can send uncompressed video and audio over a single run of CAT5e/6/7 cable up to 60 meters (1080p) or 35 meters (4K×2K) with the added benefit of control through the built-in RS-232 and 2-way IR ports. The Power over Ethernet (PoE) function provides greater flexibility in installations.

- HDMI including 3D and 4k×2k (Ultra HD) support, HDCP and DVI compliant
- Supports HDCP repeater and CEC bypass functions
- Supports HDBaseT Lite Technology including 2-Way IR, RS-232 and Power over Ethernet (PoE)

- Supports HD resolutions up to 1080p@60 Hz/36-bit and Ultra HD (4K×2K)
- Supports transmission distance of up to 60 meters through CAT5e/6/7 cable (1080p) or 35 meters (4K×2K)
- Supports HDMI input up to 15 meters at 8-bit resolution or 10 meters at 12-bit resolution and output up to 15 meters at 8-bit resolution and 10 meters at 12-bit resolution
- RS-232 with baud rate up to 115200/sec
- Supports wide range of IR frequency from 30 to 50 kHz
- Audio support up to LPCM 7.1CH, Dolby TrueHD, Dolby Digital Plus and DTS-HD Master Audio
- Installation friendly

P/N	Input Interface	Output Interface	Input	Output	IR Extension	RS-232 Extension	PoE	Ethernet	Extender Cable	HD Audio	3D/4K	HDCP
CH-506TXPL	HDMI	HDMI	1	1	Yes	Yes	Yes	-	CAT5e/6/7	Yes	Yes	Yes
CH-506RXPL												

HDMI over CAT5e/6/7 Extender

CH-506TXL



CH-506RXL



This HDBaseT™ HDMI over Single CAT5e/6/7 Transmitter and Receiver Set can send uncompressed audio/video over a single run of CAT5e/6/7 cable up to 60m (1080p) and has the added benefit of control through the built-in RS-232 and 2-way IR.

- HDMI including 3D and 4k×2k (Ultra HD) support, HDCP and DVI compliant
- Supports HDCP repeater and CEC functions
- Simultaneous transmission of uncompressed data over a single CAT5e/6/7 cable up to 60 m/196 ft (1080p@60 Hz/8-bit), 40m (3D) or 20m (4k×2k)
- Supports HD resolutions up to 1080p@60Hz/36-bit and Ultra HD (4K×2K)
- Audio support up to LPCM 7.1CH, Dolby TrueHD and DTS-HD Master Audio
- Supports HDBaseT Technology (Lite Version) including 2-Way IR and RS-232
- Installation friendly

P/N	Input Interface	Output Interface	Input	Output	IR Extension	RS-232 Extension	PoE	Ethernet	Extender Cable	HD Audio	3D/4K	HDCP
CH-506TXL	HDMI	HDMI	1	1	Yes	Yes	-	-	CAT5e/6/7	Yes	Yes	Yes
CH-506RXL												

HDMI over CAT5e/6/7 Extender

CH-514TXL / CH-514RXL

The HDMI Extender over single CAT5e/6 incorporating IR signal transfer allows for a more efficient system setup and is easy to install. Uncompressed video and audio can be transmitted to distances of up to 60 meters (1080p) and supports High Definition Audio and 3D signals. Designed with HDBaseT™ technology for greater flexibility in custom installations with full HDMI and control signal transfer over a single CAT5e/6 cable.

- HDMI with 3D, 4K×2K support, HDCP and DVI compliant
- Complies with HDBaseT Technology (Lite Version)
- Supports HDMI (including HDCP) over a single CAT5e/6 up to 60m
- Full HD resolution support (1080p@60Hz/36-bit), 3D and 4Kx2K over 40m and PC resolution support (VGA to WUXGA) over CAT5e/6 cable



- HDMI input up to 15m with 8-bit resolution or 10 m with 12-bit resolution
- HDMI output up to 15 m with 8/12-bit resolution
- Supports HDCP repeater and CEC bypass
- Supports High Definition LPCM 7.1CH, Dolby TrueHD, Dolby Digital Plus and DTS-HD Master Audio transmission

HDMI/DVI over CAT5e/6/7 Extender

CH-513TXL / CH-513RXL



The HDMI Extender over single CAT5e/6 incorporating IR and RS-232 signal transfer allows for a more efficient system setup and is easy to install. Uncompressed video and audio can be transmitted to distances of up to 60 meters (1080p) and supports High Definition Audio and 3D signals. Designed with HDBaseT™ technology for greater flexibility in custom installations with full HDMI and control signal transfer over a single CAT5e/6 cable.

- HDMI with 3D, 4K×2K support, HDCP and DVI compliant
- Complies with HDBaseT Technology (Lite version)
- Supports HDMI (including HDCP) over a single CAT5e/6 up to 60m
- Full HD resolution support (1080p@60Hz/36-bit), 3D and 4Kx2K over 40m and PC resolution support (VGA to WUXGA) over CAT5e/6 cable
- HDMI input up to 15m with 8-bit resolution or 10 m with 12-bit resolution
- HDMI output up to 15 m with 8/12-bit resolution
- Multiple control interfaces such as RS-232 with baud rate up to 115200/sec and IR
- Supports HDCP repeater and CEC bypass
- Supports High Definition LPCM 7.1CH, Dolby TrueHD, Dolby Digital Plus and DTS-HD Master Audio transmission
- Compact size with stylish design

CDVI-513TXL / CDVI-513RXL



The DVI Extender over single CAT5e/6 allows for a more efficient system setup and is easy to install. Uncompressed video and audio can be transmitted to distances of up to 60 meters at 1080p and 3D with High-Definition Audio up to 7.1CH (with HDMI to DVI adaptor). Designed with HDBaseT™ technology for greater flexibility in custom installations with full DVI signal transfer over a single CAT5e/6 cable.

- Complies with HDBaseT Technology (Lite version)
- Supports HDMI (including HDCP with HDMI to DVI adaptor) over a single CAT5e/6 up to 60m
- Full HD resolution support (1080p@60Hz/36-bit) and PC resolution support (VGA to WUXGA) over CAT5e/6 cable
- Supports High Definition LPCM 7.1CH, Dolby TrueHD, Dolby Digital Plus and DTS-HD Master Audio transmission
- Compact size with stylish design

P/N	Input Interface	Output Interface	Input	Output	IR Extension	RS-232 Extension	PoE	Ethernet	Extender Cable	HD Audio	3D/4K	HDCP
CH-514TXL CH-514RXL	HDMI	HDMI	1	1	Yes	-	-	-	CAT5e/6/7	Yes	Yes	Yes
CH-513TXL CH-513RXL	HDMI	HDMI	1	1	Yes	Yes	-	-	CAT5e/6/7	Yes	Yes	Yes
CDVI-513TXL CDVI-513RXL	DVI	DVI	1	1	-	-	-	-	CAT5e/6/7	Yes	3D Only	Yes

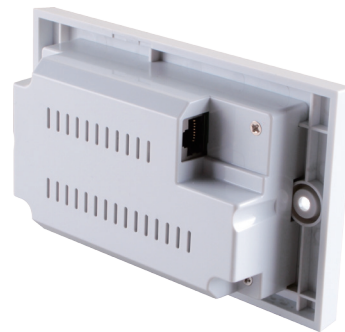
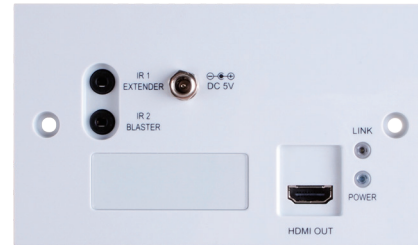
HDMI over CAT5e/6/7 Wall-Plate Receiver

CH-514RXWPL



The HDMI over CAT5e/6/7 Wall plate Receiver make your home or office more efficient. This Receiver can receive uncompressed Video/ Audio and Bi-directional IR over 60 meters from Transmitter. It is freely to connect with compatible Transmitter through CAT5e/6/7 for data transmission.

- HDMI with 3D & 4Kx2K supported, HDCP and DVI compliant
- Supports data rate from 250Mbps up to 3Gbps
- Supports wide range of PC resolutions from VGA to WUXGA and HDTV resolutions up to 4Kx2K (3840x2160@30Hz and 4096x2160@24Hz)
- Supports LPCM 7.1CH, Dolby TrueHD, Dolby Digital Plus and DTS-HD Master Audio transmission (32-192kHz sample rate)
- Supports distance up to 60 meters through HDMI to CAT5e/6/7 Transmitter
- Supports Bi-directional IR control
- Wall plate design and installation friendly



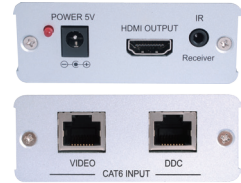
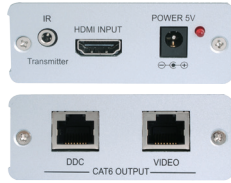
P/N	Input Interface	Output Interface	Input	Output	IR Extension	RS-232 Extension	PoE	Ethernet	Extender Cable	HD Audio	3D/4K	HDCP
CH-514RXWPL	CAT5e/6/7	HDMI	1	1	Yes	-	-	-	CAT5e/6/7	Yes	Yes	Yes

HDMI Over 2CAT6 Extender

HDMI over Dual CAT6/7 Transmitter and Receiver

CH-1106TX

CH-1106RXN



This HDMI over CAT5e/6 Transmitter and Receiver Set with IR Source Control can extend HDMI signals over dual CAT5e/6 cabling up to 45m. It has the added benefit of allowing the control of a source device with your existing Remote Control with the included IR Extender and Blaster cables.

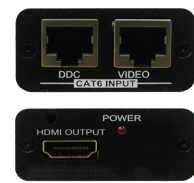
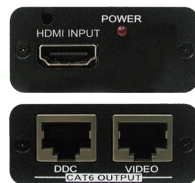
- HDMI, HDCP 1.1 and DVI 1.0 compliant
- Supports high definition digital video and lossless, compressed digital audio (Dolby TrueHD, Dolby Digital Plus and DTS-HD Master Audio)
- Supports dual CAT5e/6 cables for Video/Audio and data/DDC transmission
- Equalizes and recovers incoming TMDS data before re-transmitting it in optimum quality
- Supports CEC bypass and x.v.YCC
- Includes an IR Extender and Blaster
- Supports a wide range of IR frequencies, from 30 kHz to 50 kHz
- Supports transmission of 1080p@8-bit resolution signals up to 45 meters over dual CAT5e/6 cables
- Supports HDMI input cable length of up to 6 meters and output cable length of 10 meters at 1080p@8-bit resolution
- Supports connection to a repeater or another transmitter and receiver set to extend the HDMI signal

P/N	Input Interface	Output Interface	Input	Output	Max. Distance	Ethernet
CH-1106TX CH-1106RXN	HDMI	HDMI	1	1	45 m (150 ft)/8-bit 20 m (66 ft)/12-bit	-
CH-106TXN CH-106RXN	HDMI	HDMI	1	1	45 m (150 ft)/8-bit 20 m (66 ft)/12-bit	-

HDMI over Dual CAT6/7 Transmitter and Receiver

CH-1103TX

CH-1103RX



P/N	Input Interface	Output Interface	Input	Output	Max. Distance	Ethernet
CH-1103TX CH-1103RX	HDMI	HDMI	1	1	45 m (150 ft)/8-bit 15 m (50 ft)/12-bit	-

CH-106TXN



CH-106RXN



This HDMI over CAT5e/6 Transmitter and Receiver Set with IR Source Control can extend HDMI signals over dual CAT5e/6 cabling up to 45m. It has the added benefit of allowing the control of a source device with your existing Remote Control with the included IR Extender and Blaster cables.

- Compliant with HDMI, HDCP 1.1 and DVI 1.0 standards
- Supports high definition digital video and lossless, compressed digital audio (Dolby TrueHD, Dolby Digital Plus and DTS-HD Master Audio)
- Supports dual CAT5e/6 cables for Video/Audio and data/DDC transmission
- Equalizes and recovers incoming TMDS data before re-transmitting it in optimum quality
- Supports high definition resolutions, up to 1080p@8-bit
- Supports HDMI input cable length of up to 6 meters and output cable length of 10 meters at 1080p/8-bit resolution
- Supports transmission of 1080p@8-bit resolution signals up to 45 meters over dual CAT5e/6 cables
- Supports CEC bypass and x.v.YCC
- Supports a wide range of IR frequencies, from 30 kHz to 50 kHz

P/N	Extender Cable	Deep Color	HD Audio	3D	CEC	EDID	HDCP	USB
CH-1106TX CH-1106RXN	Dual CAT6/7	Yes	Yes	Yes	Bypass	-	Yes	-
CH-106TXN CH-106RXN	Dual CAT6/7	Yes	Yes	Yes	Bypass	-	Yes	-

This is the transmitter (Tx) unit of HDMI to CAT6 Solution that can extend HDMI digital signal through CAT-6 cables. This is compatible to HDMI v1.3 specifications, a cutting-age technology which defines the support to transfer Deep Color (12 bits/color) video and new lossless compressed (Dolby TrueHD, Dolby Digital Plus and DTS-HD Master Audio) Digital audio, with a bandwidth up to 225MHz. The installation of HDMI to CAT6 is easy and quick, simply place transmitter side next to your HDTV source such as a DVD player, then place the receiver side next to your CAT 6 to CAT6 repeater unit and get all necessary cables connected and enjoy.

- Supports Deep Color Mode at up to 36-bit
- Supports CAT-6 cables for data/DDC transmission
- Supports equalize and recover incoming TMDS data before re-transmitting them with optimal quality regardless of the incoming signal quality
- Connect to our HDMI series product, the unit will not need of power supply
- Support CEC bypass and xvYCC

P/N	Extender Cable	Deep Color	HD Audio	3D	CEC	EDID	HDCP	USB
CH-1103TX CH-1103RX	Dual CAT6/7	Yes	Yes	Yes	Bypass	-	Yes	-

HDMI Over 1CAT6 Extender

HDMI over Single CAT6/7 Transmitter and Receiver

CH-1107TX

CH-107RXN



The CH-1107TX can transmit HDMI signal over long distance to a compatible display. Instead of using any HDMI cable, your existing CAT6 cables/sockets can be utilized to perform advanced functions like transferring Deep Color video and new lossless compressed digital audio, with a bandwidth up to 225MHz.

- Deep Color supports up to 36 bits (12bits/color)
- Equalizes and recovers incoming TMDS data before re-transmitting it in optimal quality regardless of the incoming signal quality
- Supports xvYCC

The HDMI receiver over Single CAT6 is a tool for displaying HDMI content at long distances. Instead of using expensive HDMI cables, your existing CAT6 cables/sockets can perform functions like transferring Deep Color (12 bits/color) video and new lossless compressed (Dolby TrueHD, Dolby Digital Plus and DTS-HD Master Audio) Digital audio. Further, with EQ switch added the HDMI signal is strengthen and well present. The HDMI receiver over ONE CAT6 is your preferred HDMI extension tool.

- Compliant with HDMI HDCP 1.1 and DVII.1 standards.
- Supports digital video formats in Deep Color Mode at up to 36 bits (12bits/color)
- Supports lossless compressed digital audio (Dolby TrueHD, Dolby Digital Plus and DTS-HD Master Audio)
- Supports one CAT6 cable for data/DDC transmission
- Equalizes and recovers incoming TMDS data before re-transmitting it in optimal quality regardless of the incoming signal quality
- HDMI cable distance supports up to 10 meters at 1080p/8-bit and 12-bit resolutions
- CAT6 cable distance supports up to 45 meters at 1080p/8-bit resolution and 15 meters at 1080p/12-bit resolution
- Supports xvYCC
- Supports 7 steps EQ adjustment for HDMI signal

P/N	Input Interface	Output Interface	Input	Output	Max. Distance	Ethernet
CH-1107TX CH-107RXN	HDMI	HDMI	1	1	45 m (150 ft)/8-bit 10 m (33 ft)/12-bit	-
CH-1107EX	HDMI / CAT5e/6/7	HDMI / CAT5e/6/7	1+1	1+1	45 m (150 ft)/8-bit 10 m (33 ft)/12-bit	-

Other 1CAT5 Extender

USB over Single CAT5e/6 Transmitter and Receiver

CA-USBST / CA-USBS100R

The CA-USBST and CA-USBS100R allow most of the USB host to send data bidirectional within a 100-meter distance while offering up to 4 USB outputs, giving this product the ability to act like a USB hub. In addition, this product can also access data from the output port devices even when there's 100 meters separating the devices or using Ethernet hub in between to extend the distance double up to 200 meters.



- Supports USB 2.0 devices
- Operates at USB 2.0 host controllers
- True plug and play without any driver installation
- LED indicators for easy viewing

- Supports all major operating systems including Windows, MAC and Linux
- CAT5e/6 cable distance tested up to 100m
- LED indicators for easy viewing
- Each USB output carries 500 mA of power

P/N	Input Interface	Output Interface	Input	Output	Max. Distance	Ethernet
CA-USBST CA-USBS100R	USB	USB	1	4	100 m (330 ft)	-
CA-USBAT CA-USB100R	USB	USB	1	4	100 m (330 ft)	-

HDMI over Single CAT6/7 Extender

CH-1107EX



The CH-1107EX is an advanced solution for HDMI and CAT6 signal distribution. The CAT6 output port can be easily connected to CAT6 to HDMI receivers to allow a stable connection between an HDMI source and any compatible HDMI display. Alternatively, it can be cascaded to extend the signal to several hundred meters.

- Deep Color support up to 12-bit, 1080p@24/60 Hz
- Supports LPCM 7.1CH, Dolby TrueHD, Dolby Digital Plus and DTS-HD Master Audio (32–192 kHz)
- Supports VGA to WUXGA and 480i to 1080p resolutions
- Fully HDCP compliant
- EDID 8/12-bit setting switch

P/N	Extender Cable	Deep Color	HD Audio	3D	CEC	EDID	HDCP	USB
CH-1107TX CH-107RXN	Single CAT5e/6/7	Yes	Yes	Yes	-	-	Yes	-
CH-1107EX	Single CAT5e/6/7	Yes	Yes	Yes	-	-	Yes	-

USB over Single CAT5e/6 Transmitter and Receiver

CA-USBAT / CA-USB100R

The CA-USBAT and CA-USBS100R allow any USB host to send data within a 100-meter distance while offering up to 4 USB outputs, giving this product the ability to act like a USB hub. In addition, this product can also save data from the output port devices or allow remote control through the display even when there's 100 meters separating the devices.



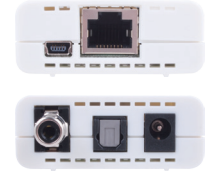
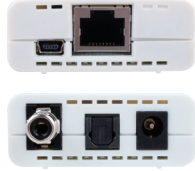
- Supports USB 2.0 and USB 1.1 devices
- Operates with USB 2.0 host controllers and USB 1.1 classic hosts
- True plug and play without the need to install drivers
- Display or control the host device
- Supports all major operating systems including Windows, MAC and Linux
- CAT5/6 cable distance tested up to 100m without lag
- Each USB output port contains 500 mA of power
- Total transmission frequency 1 GHz

P/N	Extender Cable	Deep Color	HD Audio	3D	CEC	EDID	HDCP	USB
CA-USBST CA-USBS100R	Single CAT5e/6/7	-	-	-	-	-	-	2.0
CA-USBAT CA-USB100R	Single CAT5e/6/7	-	-	-	-	-	-	2.0

Digital Audio over Single CAT5e/6/7 Transmitter and Receiver

CH-304TX

CH-304RX



P/N	Input Interface	Output Interface	Input	Output	Max. Distance	Ethernet
CH-304TX CH-304RX	TOSLink, COAX	TOSLink, COAX	1, 1	1, 1	150 m (495 ft)	-

Infrared over Single CAT5e/6/7 Extender and Repeater

CIR-03

CIR-12



P/N	Input Interface	Output Interface	Input	Output	Max. Distance	Ethernet
CIR-03 CIR-12	IR	IR/IR (Local)	1	3/2	250 m (825 ft)	-

RS-232 over Single CAT5e/6/7 Transmitter and Receiver

CRS-232TX

CRS-232RX



P/N	Input Interface	Output Interface	Input	Output	Max. Distance	Ethernet
CRS-232TX CRS-232RX	RS-232	RS-232	1	1	250 m (825 ft)	-

The Digital Audio Extender is useful for sending the digital audio signal up to 150m away at high quality. The units can switch between Coaxial and Optical digital signals and can be powered by either USB or power adaptor allowing users flexibility of choice between power sources.

With its elegant and compact design, user friendly operation and easy installation, the Digital Audio Repeaters are ideal tool for extending digital audio from one location to another.

- Supports Coaxial or Optical digital audio S/PDIF signal
- Supports stereo and multi-channel (7.1, DTS, Dolby Digital etc.) digital audio
- Supports industry standard Category 5/5e/6 cable
- Digital audio S/PDIF performance sampling rate 96 kHz
- Supports single Coaxial input to Coaxial signal output
- Supports single Optical input to Optical signal output

P/N	Extender Cable	Deep Color	HD Audio	3D	CEC	EDID	HDCP	USB
CH-304TX CH-304RX	Single CAT5e/6/7	-	-	-	-	-	-	Power Supply

The IR Extender and the IR Repeater Box are perfect for controlling source devices over long distances using CAT5 Cable. By using the built-in IR Receiver of the IR Repeater, users are able to control up to five sources (with the original remote controls) at the same time at a distance of up to 250 m. There are no space limitations with these devices, which means even if the sources are in a different room or even another floor than the display, the performance stays the same. The IR Extender and the IR Repeater Box give users an easy and convenient way to control their desired source. If however, users only wish to control sources in the same room then the IR Repeater Box will be enough to control up to 2 sources. The IR Extender Box is designed for longer distances and extra source device control than the IR Repeater Box.

- Supports up to five IR outputs
- Control source devices anywhere within 250 m, can be run through walls and ceilings
- Transmits infrared signals only
- It allows the use of existing remote controls
- Only one IR Receiver is needed
- IR Receiver's frequency range is 30~50 KHz

P/N	Extender Cable	Deep Color	HD Audio	3D	CEC	EDID	HDCP	USB
CIR-03 CIR-12	Single CAT5e/6/7	-	-	-	-	-	-	-

With regular RS-232 protocol devices you are limited to an immediate area of control. The CAT5 RS-232 extender extends control to over 250 meters and gives you a tremendous amount of flexibility in how and where you control your devices. The RS-232 extender also provides full duplex transmission and hardware handshake signals, without the need for any complicated set-up procedures.

- Extends any compatible RS232 device up to 250 meters from the source to the display
- Only one CAT5 cable
- Perfect for digital signage
- Simple and easy installation
- Has a Baud Rate of: 110~921600
- Data bit: 8 bit

P/N	Extender Cable	Deep Color	HD Audio	3D	CEC	EDID	HDCP	USB
CRS-232TX CRS-232RX	Single CAT5e/6/7	-	-	-	-	-	-	-

Over IP Extender

HDMI over Optical Fiber Extender
CH-316TXO



CH-316RXO



HDMI/USB over CAT5e/6 Extender
CH-306TXA



CH-306RXA



The CH-316TXO/CH-316RXO are Transmitter and Receiver units of HDMI-over-Fiber Optical solution which allows you to extend Hi-Def video and audio to long distance over Fiber Optical cable. IR and RS-232 protocols are also channeled by the same extension so it can provide versatile remote control features. Both TX and RX units carry an additional analog audio IN/OUT ports for extra audio applications. The 4-ports USB hub on the RX unit can communicate with the sole USB port on the TX unit and provide data and peripheral sharing.

- Supports both Single and Multi-mode Optical modules
- Supports Gigabit Interface Converter (GBIC) of Small Form-Factor Pluggable (SFP)
- HDMI and HDCP v1.1 compliant
- Supports USB 2.0 high-speed devices
- Supports video resolutions up to 1920x1080@60 Hz and WUXGA (1920x1200 Reduced Blanking)
- Requires no driver installation
- Supports cable distance up to 10 kilometers depending on the optical module used
- Supports smart data compression to optimize the bandwidth usage over network
- Supports matrix application with maximum 16 pairs of TX/RX installed on a single Ethernet network
- Supports cascading over Giga Ethernet hubs of TCP/IP protocol with 1G transmission

The CH-306TXA/RXA allows HDMI and/or USB host device to send data within a 100-m distance while offering expandability for up to 4 USB outputs to perform tasks. In addition, the devices can also save data from the output port devices or allow remote control through the display side even when there's 100 m apart separating the devices. The devices includes extra functions like IR, line-out and microphone features that allows user to enjoy control over distance and audio sound over favor audio equipments. Moreover, the devices allowing user with cascade with the same family type of device to extend the transmission distance up to as long as it demand and without signal loss or delay, or with multi pairs of the extender box up to 16 for matrix usage from a IP for data sharing within the connected device of sources and displays.

- True plug and play without any driver installation required
- Display and control of the host device and source equipment
- Tested CAT5 cable distance of up to 100 m or cascade up to as long it require or link up to 16 pairs for matrix system
- Supports digital display output resolution up to 1920 x 1080@60Hz & WUXGA@RB
- Data transmission rate 1G bit/s
- Can cascade over Giga Ethernet hub base on TCP/IP
- Transmitter side support DVI-I loop out for local display
- Receiver side supports HDMI and VGA out simultaneously

P/N	Input Interface	Output Interface	Input	Output	Max. Distance	Ethernet
CH-316TXO CH-316RXO	HDMI	HDMI	1	1	10 Km	Yes
CH-306TXA CH-306RXA	HDMI/USB	HDMI/USB/VGA/DVI (Local)	1/1	1/4/1/1	100 m (330 ft)	Yes
CA-USBHUT CA-USBHU100R	HDMI/USB	HDMI/USB	1/1	1/4	100 m (330 ft)	Yes
CETH-4USB	USB	USB	1	4	100 m (330 ft)	Yes

HDMI/USB over CAT5e/6 Extender CA-USBHUT



CA-USBHU100R



Multi-Media LAN Transmitter and Receiver allow HDMI and/ or USB host device to send and save data while offering four USB ports for other tasks. Includes extra functions such as IR, line-out and a microphone for users to enjoy controlling devices from far away and for sending audio/sound from your favorite audio devices.

Connect to another device from the same family you can extend the transmission distance as far as you want without any signal loss/delay or connect with multiple pairs of the extender to set up a Local Area Network of up to 16 units/ devices for data sharing among the connected sources and displays. The HDMI & USB over a CAT5e/6 transmitter and receiver box are the ideal choice for your HDMI & USB extension, data sharing and multimedia sharing needs.

- Supports data sharing over LAN cable (TCP/IP)
- Operate with USB host controllers
- True plug and play without any driver installation
- Display and control host device and source equipment
- Save and share data into a separate room
- CAT5 cable distance tested up to 100 meters, connect with other units from the same family to operate over long distances or link up to 16 devices for data sharing.
- Digital display output up to 1920 x 1080@60 Hz
- Adopt visually lossless video compression algorithm
- Automatic display mode detection
- DDC synchronization
- Total transmission frequency 1 GHz

4 USB over Ethernet Extender CETH-4USB



The Quad USB over Ethernet Extender allows you to utilize your USB devices over an existing network installation or connect directly to your PC or laptop. For home, commercial or retail environments this device allows hands-on control of USB devices for users within the same network. Compatible with a wide range of USB devices, you can control up to four different devices up to 100 meters away.

- USB Hub - Control up to 4 four USB devices
- Capable of high-speed (480 Mbps), full-speed (12 Mbps) and low-speed (1.5 Mbps) USB connection speeds (overall speed in LAN Mode might be limited by the bandwidth of the network)
- Works up to 100 meters away (in Extender Mode)
- Connect to existing network or directly to PC with RJ45 cable
- Compliant with USB 2.0 (Hi-speed) specification
- Supports Ethernet protocols TCP/IP
- Supports 10/100/1000 Mbps Ethernet speeds

P/N	Extender Cable	Deep Color	HD Audio	3D	CEC	EDID	HDCP	USB
CH-316TXO CH-316RXO	Optical Fiber	Yes	Yes	-	-	-	Yes	2.0
CH-306TXA CH-306RXA	Single CAT5e/6/7	Yes	Yes	-	-	-	Yes	2.0
CA-USBHUT CA-USBHU100R	Single CAT5e/6/7	Yes	Yes	-	-	-	Yes	2.0
CETH-4USB	Single CAT5e/6/7	-	-	-	-	-	-	2.0

Over Optical/Coaxial Extender

HDMI over Optical Fiber Transmitter and Receiver (300m)

COH-TX2 / COH-RX2



The 4K×2K HDMI to Optical Transmitter and Receiver set uses fiber optic cables to give you longer transmission distances (up to 300m) utilizing thinner, lighter cables for greater flexibility in installations. With this system the HDMI signal is uncompressed and is fully compliant with HDMI and HDCP.

- HDMI, HDCP and DVI compliance
- Supports 3D, 4K×2K resolutions
- Long transmission distances – up to 300m with OM3 50/125um cable (SC-SC connector)
- Thinner and lighter cables for easier and more flexible installations
- Faster data transmission
- Lower power consumption
- Supports the reading of EDID information

COH-TX1 / COH-RX1



With HDMI becoming more and more popular around the world, many consumers have been searching for a way to transmit HDMI signals over very long distances. The HDMI to Optical Transmitter and Receiver set which uses fiber optical cables will give you longer transmission distances (up to 300m) while also providing you with thinner, lighter cables for easier installation. With this system the HDMI signal is not compressed and is fully compliant with HDMI and HDCP.

- Long transmission distances - up to 300m or more
- Thinner and lighter cables for easier, more discreet installations
- Faster data transmission
- Lower power consumption
- Support the reading of EDID information

P/N	Input Interface	Output Interface	Input	Output	Max. Distance	Ethernet
COH-TX2 COH-RX2	HDMI	HDMI	1	1	300 m (1000 ft)	-
COH-TX1 COH-RX1	HDMI	HDMI	1	1	300 m (1000 ft)	-
COH-TX COH-RX	HDMI	HDMI	1	1	300 m (1000 ft)	-

3G-SDI over Optical Fiber Transmitter and Receiver (10km)

CLUX-SDI2OF / CLUX-OF2SDI

The SDI to Optical Fiber Extender is a pair of tool to extend your SDI signals over Optical Fiber for long distance transmission up to 10km. Signals from 50MB/s to 3Gb/s without loss or compression with thinner, lighter cables for easy installations.

- SMPTE 287-2006 compliant
- Robust error free transmission of signals from 50Mb/s to 3Gb/s over at least 10km single-mode fiber but it will depend on the fiber module used
- Supports video pathological patterns for SD-SDI, HD-SDI and 3G-SDI
- Supports SDI input and output modes:
 - SD-SDI (SMPTE 259M-C, at bitrates of 270 Mbit/s)

P/N	Input Interface	Output Interface	Input	Output	Max. Distance	Ethernet
CLUX-SDI2OF CLUX-OF2SDI	SDI	SDI	1	1	10 km	-

HDMI over 5 Coaxial Transmitter and Receiver (100m)

CAC-TXA / CAC-RXA

Active Connect Multimedia Transmitter and Receiver set allows distance up to 100M at 1080p/8 bit, up to 65M 12 bit, HDMI V1.3 specification. Designed to supports long distance HDMI application.

Enable high bandwidth communication over loss media. Also designed to equalize and restore signals receiver over 75Ω coaxial cable. Simply connected the source to the Transmitter unit and over RGBHV coaxial cable to the Receiver unit, then HDMI output to the display.

P/N	Input Interface	Output Interface	Input	Output	Max. Distance	Ethernet
CAC-TXA CAC-RXA	HDMI	HDMI	1	1	100 m (330 ft)	-

COH-TX / COH-RX



With HDMI becoming more and more popular around the world, many consumers have been searching for a way to transmit HDMI signals over very long distances. The HDMI to Optical Transmitter and Receiver set which uses fiber optical cables will give you longer transmission distances (up to 300m) while also providing you with thinner, lighter cables for easier installation. With this system the HDMI signal is not compressed and is fully compliant with HDMI and HDCP.

- HDMI v1.2, HDCP and DVI compliance
- Long transmission distances - up to 300m or more
- Thinner and lighter cables for easier, more discreet installations
- Faster data transmission
- Lower power consumption
- Support the reading of EDID information

P/N	Extender Cable	Deep Color	HD Audio	3D	CEC	EDID	HDCP	USB
COH-TX2 COH-RX2	Duplex Optical Fiber	Yes	Yes	Yes	Bypass	-	Yes	-
COH-TX1 COH-RX1	Duplex Optical Fiber	-	-	-	Bypass	-	Yes	-
COH-TX COH-RX	Duplex Optical Fiber	-	-	-	Bypass	-	Yes	-

- HD-SDI (SMPTE 292M, at bitrates of 1.485 Gbit/s and 1.485/1.001 Gbit/s)
- 3G-SDI (SMPTE 424M/425M-AB, at bitrates of 2.970 Gbit/s and 2.970/1.001 Gbit/s)
- Bypass integrated SDI audio up to max. 16 channels of 48kHz audio
- Auto video mode detection (3G/HD/SD)
- Faster data transmission
- Lower power consumption



P/N	Extender Cable	Deep Color	HD Audio	3D	CEC	EDID	HDCP	USB
CLUX-SDI2OF CLUX-OF2SDI	Optical Fiber	-	-	-	-	-	-	-

- PC Resolutions from VGA (640~480) to WUXGA (1920 x 1200) and HDTV resolutions from 480i~1080P/12 bit
- Built in Consumer electronics control (CEC)
- Supports Deep Color and xvYCC
- HDMI 5 COAX RX power setting (externally/internally)
- Supports seamless for VESA DDC, CEC and Hot Plug Detect (HPD)



P/N	Extender Cable	Deep Color	HD Audio	3D	CEC	EDID	HDCP	USB
CAC-TXA CAC-RXA	5x Coaxial Cable	Yes	Yes	-	Bypass	-	Yes	-

Over 2CAT6/1CAT5 Long-distance Extender

HDMI over Dual CAT5e/6/7 Transmitter and Receiver

CA-HDMIAT / CA-HDMI50R / CA-HDMI100R / CA-HDMI150R / CA-HDMI250R

These are transmitter (TX) and receiver units of HDMI over CAT5 TX/RX solution, depends on the type of receiver (RX) unit used, this HDMI over CAT5 transmitter can extend HDMI signal through CAT-5 cables for a distance up to 50/100/150/250 meters.

The installation of HDMI Over CAT5 is easy and quick, simply place transmitter next to your HDTV source such as a DVD player, then place the receiver unit next to your display, and get all necessary cables connected to complete and enjoy.

- Compliant with HDMI 1.2, and DVI 1.0 specifications
- Supports CAT-5/CAT-5E/CAT-6 cables of variable types
- Supports high definition input up to 1080P, output resolution follows input
- Easy to install and simple to operate
- Not compatible with HDCP source



P/N	Input Interface	Output Interface	Input	Output	Max. Distance	Ethernet
CA-HDMIAT CA-HDMI50R CA-HDMI100R CA-HDMI150R CA-HDMI250R	HDMI	HDMI	1	1	50 m (165 ft)/50R 100 m (330 ft)/100R 150 m (495 ft)/150R 250 m (825 ft)/250R	-
CA-DVIAT CA-DVI100R CA-DVI250R	DVI	DVI	1	1	100 m (330 ft)/100R 250 m (825 ft)/250R	-

PC/Component over Single CAT5e/6/7 Transmitter and Receiver

CA-COMPAT / CA-COMP50R / CA-COMP100R

PC/HD Audio over CAT5 Transmitter is the transmitter (Tx) unit of PC/HD & Audio over CAT5 solution, depends on the type of receiver (Rx) unit used. The system can extend PC/HD & Audio signal through CAT-5 cables for a distance up to 50/100 meters. The installation of PC/HD Audio over CAT5 is easy and quick, simply place the system next to your display, and get all necessary cables connected to complete and enjoy.

- Supports PC/RGB and HD/YCbCr/YPbPr format input
- Supports CAT-5/CAT-5E/CAT-6 cable
- Supports high definition (HD) input source up to 1080P
- Supports PC output source up to UXGA
- Supports Dolby AC3/PCM 2CH Toslink output audio
- Supports Dolby AC3/PCM 2CH Toslink input audio

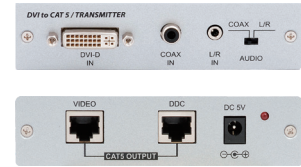
P/N	Input Interface	Output Interface	Input	Output	Max. Distance	Ethernet
CA-COMPAT CA-COMP50R CA-COMP100R	PC/Component	PC/Component	1	1	50 m (165 ft)/50R 100 m (330 ft)/100R	-

DVI over Dual CAT5e/6/7 Transmitter and Receiver

CA-DVIAT / CA-DVI100R / CA-DVI250R

These are DVI transmitter and receiver over CAT5 is an extender for DVI signal - up to 100 or 250 meters long. This device not only can transfer the HD image signal but also the analog/digital audio signal with coaxial and L/R audio 3.5mm. Through the DDC cable the device can also support HDCP and CEC. This extender is perfect for extending high resolution digital signage with crystal clear images over low cost network solution.

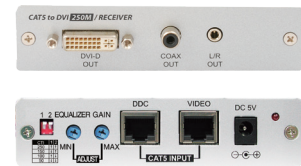
- Supports equalizer, Gain, CTI
- Supports high definition up to 1080P/UXGA, output resolution follows input
- Easy to install and simple to operate
- Supports DDC/HDCP signal transferring
- Build-in EDID at transmitter
- Support both external Coaxial and Stereo Sound



• CA-DVIAT

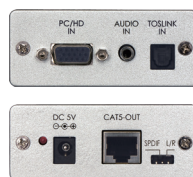


• CA-DVI100R



• CA-DVI250R

P/N	Extender Cable	Deep Color	HD Audio	3D	CEC	EDID	HDCP	USB
CA-HDMIAT CA-HDMI50R CA-HDMI100R CA-HDMI150R CA-HDMI250R	Dual CAT5e/6/7	-	-	-	-	-	-	-
CA-DVIAT CA-DVI100R CA-DVI250R	Dual CAT5e/6/7	-	-	-	-	-	-	-



• CA-COMPAT



• CA-COMP100R

P/N	Extender Cable	Deep Color	HD Audio	3D	CEC	EDID	HDCP	USB
CA-COMPAT CA-COMP50R CA-COMP100R	Single CAT5e/6/7	-	-	-	-	-	-	-

HDBaseT Repeater

CAT5e/6/7 Repeater (100m/60m)

CHDBX-1C / CHDBX-1CL



The CHDBX-1C/CHDBX-1CL Repeater allows HDBaseT™ systems to be extended and cascaded. Supporting the highest quality of uncompressed high-definition HD video up to 4K×2K (Ultra HD), up to 8 channels of uncompressed multi-channel audio, RS-233 and IR control systems, PoE and Ethernet, complete HDBaseT 5Play™ convergence with just a simple connection over a single CAT5e/6/7 cable.

- HDCP and DVI compliant
- Supports 3D over HDMI and 4K×2K (Ultra HD) resolution
- Supports CEC bypass
- Transmission of uncompressed data up to 200m/120m with single device
- Uncompressed video 1080p@60Hz/36-bit and 4k×2K (Ultra HD)
- Audio support up to LPCM 7.1CH, Dolby TrueHD, Dolby Digital Plus and DTS-HD Master Audio
- CHDBX-1C supports 5Play™ Convergence: Full uncompressed HD Video, Audio, Ethernet, Power and Controls (IR and RS-232) over a single CAT5e/6/7 cable
- CHDBX-1C can be powered by compatible transmitter without power supply connection (PoE)

P/N	Input Interface	Output Interface	Input	Output	IR Extension	RS-232 Extension	PoE	Ethernet	Extender Cable	HD Audio	3D/4K	HDCP
CHDBX-1C	CAT5e/6/7	CAT5e/6/7	1	1	Yes	Yes	Yes	Yes	CAT5e/6/7	Yes	Yes	Yes
CHDBX-1CL	CAT5e/6/7	CAT5e/6/7	1	1	Yes	Yes	Yes	-	CAT5e/6/7	Yes	Yes	Yes

HDMI/DVI/2CAT6 Repeater

HDMI Repeater with 4K UHD

CPRO-11SR

The HDMI 4K×2K Repeater is an advanced solution for extending an HDMI signal. It does amplify and equalize the HDMI signal to provide high quality audio and video through HDMI cable for distance up to 15 meters at 1080p@60 Hz/8-bit resolution.



- Compliant with HDMI, HDCP 1.2 and DVI 1.0
- Supports 4K×2K resolution and 3D signals
- HDMI supports high-bit-rate (HBR) audio
- Supports HDMI audio sampling rates up to 192 kHz
- Supports the equalization and recovery of incoming TMDS data before re-transmission with optimal signal quality
- Supports maximum input and output HDMI cable lengths of up to 15 meters each at 1080p/8-bit resolution or 10 meters each at 1080p/12-bit resolution
- Fully HDCP compliant
- Supports CEC bypass
- Supports DVI conversion with HDMI to DVI adaptor

P/N	Interface	Input Distance	Output Distance	Deep Color	HD Audio	3D/4K	HDCP
CPRO-11SR	HDMI	15m@8-bit 10m@12-bit	15m@8-bit 10m@12-bit	Yes	Yes	Yes	Yes

HDMI Audio Repeater

CLUX-11SA

This is the most advanced solution for HDMI to HDMI repeater with Audio decoder. This is compatible with HDMI specifications, a cutting edge technology which defines to transfer Deep Color (12-bit/color) video with a high bandwidth up to 225 MHz. The HDMI Distribution Amplifier also does signal amplification and equalization output that can be connected with other HDMI to HDMI units for repeater function.

The HDMI output supports digital audio formats LPCM 2CH to 7.1CH, Dolby TrueHD, Dolby Digital Plus, and DTS-HD Master Audio. The Optical output supports digital audio formats LPCM 2CH, Dolby Digital 2CH to 5.1CH, and DTS 2CH to 5.1CH. The multi-channel phone jack outputs support analog audio from 2CH to 7.1CH converted from the input LPCM signal.

- HDMI, HDCP 1.1 and DVI 1.0 compliant
- Supports digital video formats in Deep Color Mode from 25 MHz to 225 MHz for 36-bit (12-bit/color)
- Supports high definition input up to 1080p@60 Hz/24-bit, output resolution follows input
- Supports HDMI signal amplification and equalization output for repeater function
- Supports uncompressed digital LPCM 2/5.1/7.1 channels and compressed digital Bitstream (Dolby TrueHD, Dolby Digital Plus and DTS-HD Master Audio) through HDMI input and output ports
- Supports digital Dolby 2/5.1 and LPCM 2 channels output through optical audio output port
- Supports LPCM 2/5.1/7.1 signal converted to analog signal and output through multi-channel output ports
- Integrated HDCP encryption for transmitting protected audio and video content
- Supports CEC bypass
- Supports HDMI cable distances up to 20 meters at 1080p (8-bit) and 15 meters at 1080p (12-bit) resolution for the input and 15 meters at 1080p (8-bit) or 10 meters at 1080p (12-bit) resolution for the output



P/N	Interface	Input Distance	Output Distance	Deep Color	HD Audio	3D	HDCP
CLUX-11SA	HDMI	20m@8-bit 15m@12-bit	15m@8-bit 10m@12-bit	Yes	Yes	Yes	Yes

HDMI Repeater

CLUX-11HS

The CLUX-11HS allows HDMI/DVI cable to run up to 40 meters. It corrects digital error and automatically provides equalization up to 40dB to compensate for cable transmission loss. It eliminates digital noise (sparkles) to ensure you the best HDTV picture quality after a long cable transmission.

- HDCP pass through
- Operation frequency up to 225MHz (6.75Gbps)
- Fully automatic equalization up to 40dB at 825MHz (1.65Gbps), no system control required
- Extend cable runs up to 40 meters from the source to the equalizer plus 10 meters from the equalizer to the projector, TV/monitor



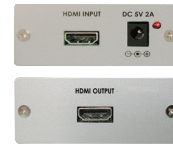
P/N	Interface	Input Distance	Output Distance	Deep Color	HD Audio	3D	HDCP
CLUX-11HS	HDMI	40 m (132 ft)	10 m (33 ft)	Yes	Yes	-	Yes

HDMI Repeater

CP-1269HM

The CP-1269HM high performance cable equalizer can extend HDMI/DVI cable distance up to total 60 meters from the source to the display. It corrects digital error and automatically provides equalization up to 40dB to compensate for cable transmission loss, it will eliminate digital noise (sparkles) to ensure you to receive perfect HDTV picture after long cable transmission.

- Fully automatic equalization up to 40 dB at 825 MHz (1.65Gbps), no system control required
- Extend cable runs up to 40 - 50 meters from the source to the equalizer plus 10 meters from the equalizer to the projector, TV / monitor



- Maintains high HDMI single link video resolution up to UXGA/1080p
- The product can be powered by HDMI cable, but it's recommended to use external power adaptor for long cable application
- HDMI is backward compatible with DVI

P/N	Interface	Input Distance	Output Distance	Deep Color	HD Audio	3D	HDCP
CP-1269HM	HDMI	40 m (132 ft)	10 m (33 ft)	-	-	-	Yes

HDMI Enhancer

CS-HH

The CS-HH can extend or cascade HDMI digital audio and video signals without signal loss. It is capable of receiving and transmitting 2.25 Gbps bandwidth rate and supports resolutions up to 1080p@60 Hz. It has the added benefit of a built-in equalizer and CDR (Clock Data Recovery) which can provide long cable support even at deep color resolutions. The unit can be powered by the HDMI output of suitably equipped source equipment (eliminating the need for a power supply) or if the HDMI source does not provide a suitable 5V power supply an HDMI Power Inserter can be used.

- Built-in TMDS equalization and CDR (Clock Rate Recovery) for extended HDMI cable distance
- Resolutions support:



- HDTV: 480i to 1080p@24/50/60 Hz
- PC: VGA to WUXGA (RB)

- Capable of receiving and transmitting HDMI signals at 2.25 Gbps bandwidth
- Requires HDMI source devices to output power to the unit over HDMI cable
- Supported HDMI cable distance: 15 meters (input and output)

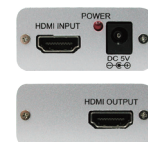
P/N	Interface	Input Distance	Output Distance	Deep Color	HD Audio	3D	HDCP
CS-HH	HDMI	15 m (50 ft)	15 m (50 ft)	Yes	Yes	Yes	Yes

HDMI Repeater

CH-101

Compatible with HDMI specifications, a cutting-edge technology which defines the supports to transfer Deep Color (12 bits/color) video and new lossless compressed (Dolby True HD, Dolby Digital Plus and DTS-HD Master Audio) digital audio, with a high bandwidth up to 225MHz. Amplifies signal and equalization, so as to provide high performance I/O of audio and video through HDMI cables for a maximum distance up to 15 meters each side at 1080p@60 Hz (8-bit).

- Supports digital video formats in Deep Color Mode at up to 36 bits (12 bits/color)
- Supports equalize and recover incoming TMDS data before re-transmitting them with optimal quality regardless of the incoming signal quality



- Supports high definition input up to 1080p@60Hz, output resolution follows input
- 1080p/12 bits the I/O source can run up to 10/10 meters
- Supports CEC function

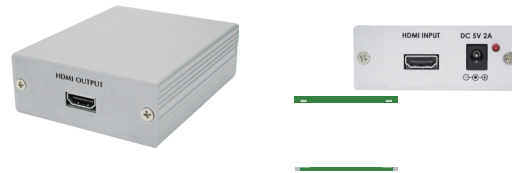
P/N	Interface	Input Distance	Output Distance	Deep Color	HD Audio	3D	HDCP
CH-101	HDMI	15 m (50 ft)	10 m (33 ft)	Yes	Yes	-	Yes

HDMI Repeater

CP-263H

The CP-263H regenerates the HDCP-HDMI source signal and extends the length of HDMI transmission over a copper based HDMI cable by 12 meters at 1080p/UXGA.

- It regenerates the incoming HDMI signal by decoding and re-encoding it to a new standard HDMI signal so it can extend the transmission range without degradation
- Extends 1080p/UXGA up to 12 meter transmission distance (lower resolution signal can be transmitted longer)
- HDCP 1.1 compliant
- Plug and play, easy to install



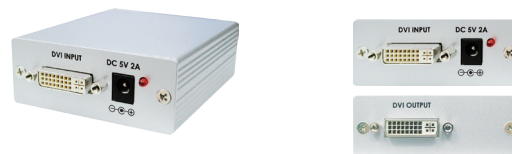
P/N	Interface	Input Distance	Output Distance	Deep Color	HD Audio	3D	HDCP
CP-263H	HDMI	12 m (40 ft)	12 m (40 ft)	-	-	-	Yes

DVI Repeater

CP-263D

The CP-263D boosts DVI source signal and extends the range of DVI signal transmission over a copper based cable by 12 meters at 1080p/UXGA. It can also be cascaded in multiple stages to achieve maximum transmission distance.

- Correct signal error and boost signal strength for extending transmission range
- Extends 1080p/UXGA up to 12 meters transmission distance (lower resolution signal can be transmitted longer)
- DDC pass through
- HDCP compliant



P/N	Interface	Input Distance	Output Distance	Deep Color	HD Audio	3D	HDCP
CP-263D	DVI	12m (40ft)	12m (40ft)	-	-	-	Yes

Dual CAT6 Repeater

CH-108

This is the most advanced solution for CAT6 to CAT6 signal repeater. These two CAT6 connectors are for Video and DDC ports of transmitter and receiver which isolates the DDC capacitances of the two sides of the buffer. This is compatible with HDMI v1.3 specifications, a cutting-edge technology which defines the supports to transfer Deep Color (12 bits/color) video and new lossless compressed (Dolby TrueHD, Dolby Digital Plus and DTS-HD Master Audio) digital audio.

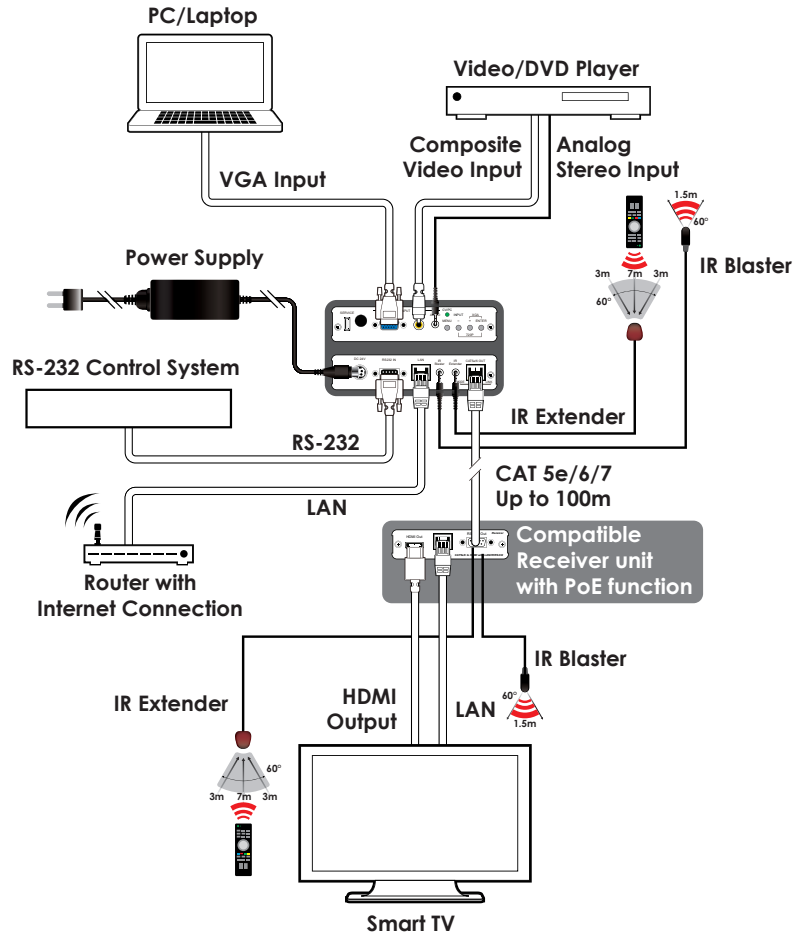
- Serial data rate at up to 2.25Gbps, capable of supporting the following digital video formats in Deep Color Mode at up to 36 bits (12bits/color): DTV resolutions: 480i, 576i, 480p, 576p, 720p, 1080i to 1080p
- Supports equalize and recover incoming TMDS data before re-transmitting them with optimal quality regardless of the incoming signal quality
- Supports CEC bypass and x.v.YCC



P/N	Interface	Input Distance	Output Distance	Deep Color	HD Audio	3D	HDCP
CH-108	Dual CAT6	45m@8-bit 15m@12-bit	45m@8-bit 15m@12-bit	Yes	Yes	Yes	Yes

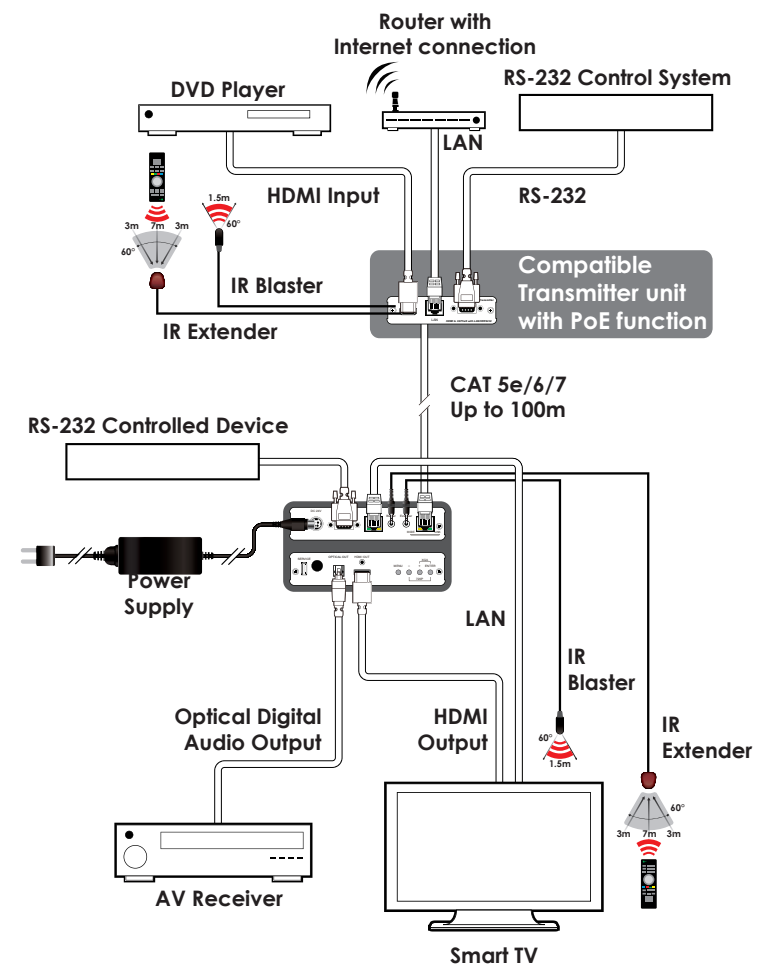
Connection Diagram

► CH-516TXAS



Connection Diagram

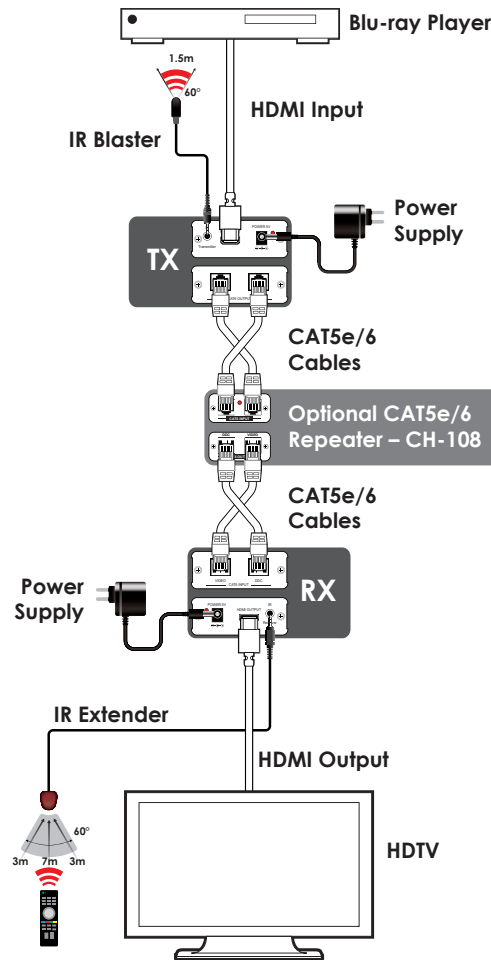
► CH-517RXHS



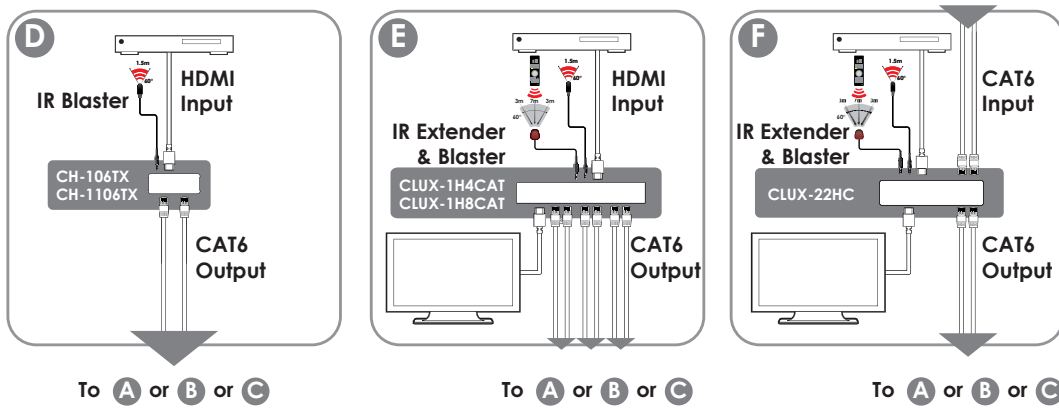
Connection Diagram

► **CH-1106TX/CH-1106RXN**

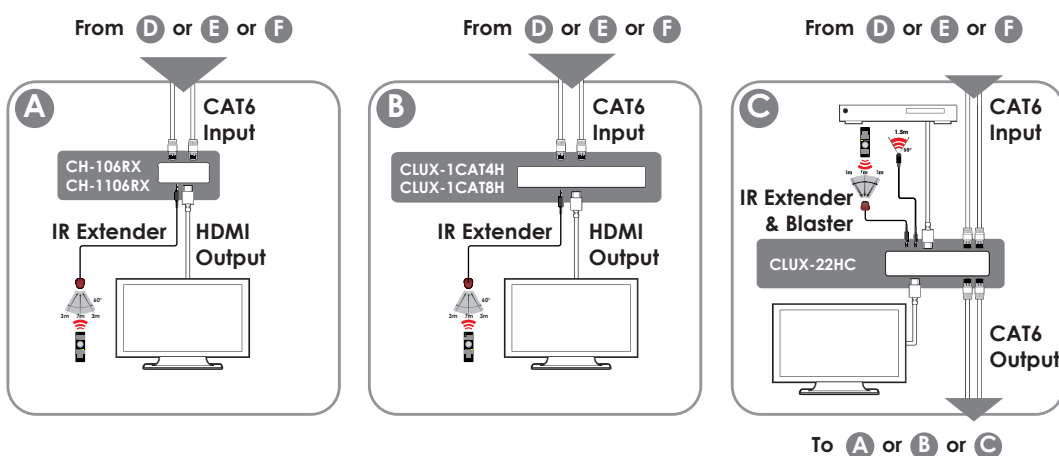
Typical
Connection
Example:



Input
Connection
Examples:

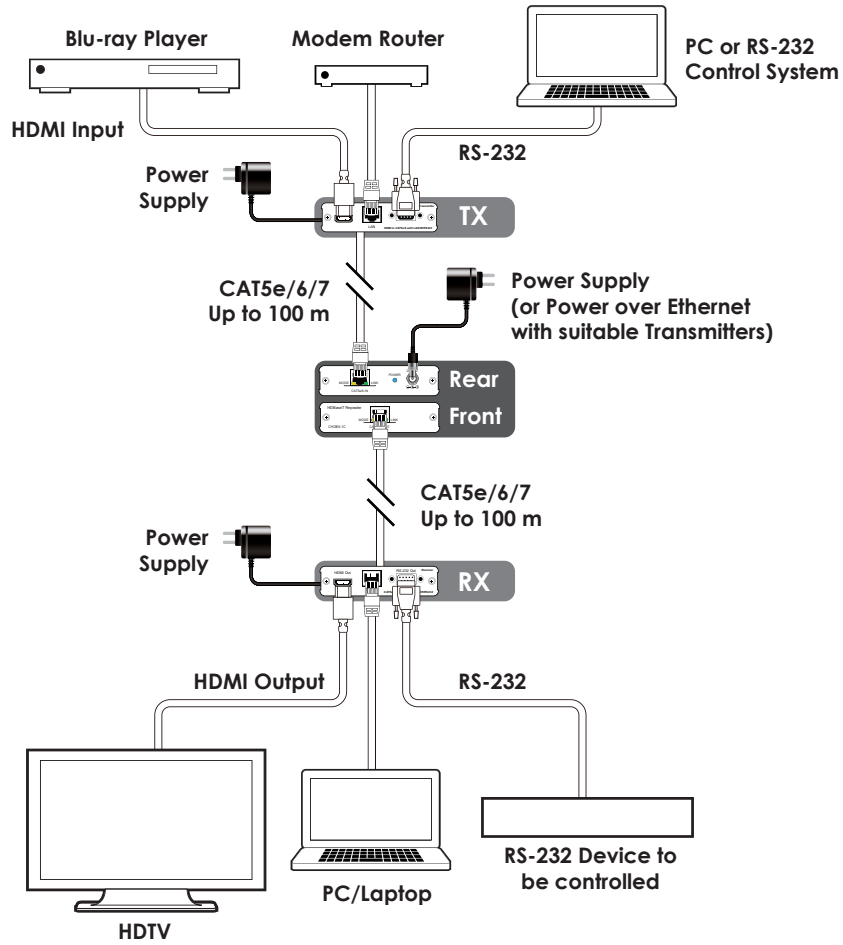


Output
Connection
Examples:

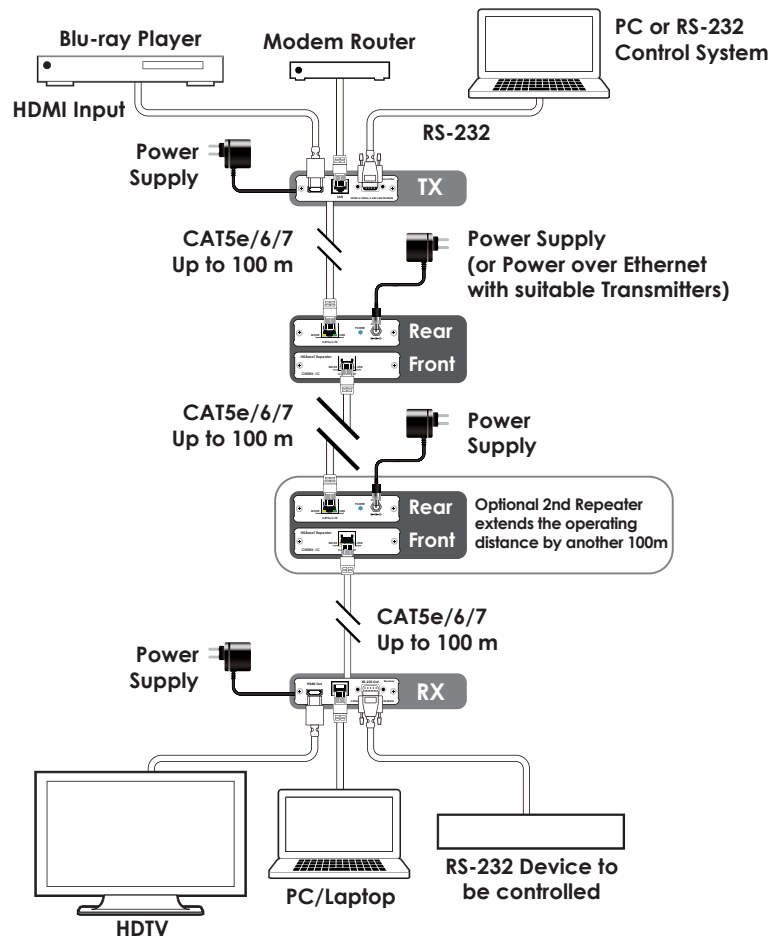


Connection Diagram

► CHDBX-1C



Example 1: HDBaseT Signal Extension up to 200m



Example 2: HDBaseT Signal Extension up to 300m with Additional Repeater Unit

HDMI Scaler

Multi-Format to HDMI/VGA Scaler with SDI Loop Output

CSLUX-300I

The CSLUX-300I Scaler is an advanced HDMI, PC, SDI, Composite, S-Video and Component switcher/scaler. This device can scale and switch input sources and display them to its HDMI and VGA/HD outputs simultaneously, with their associated audio signals, at a wide range of output resolutions up to 1080p or WUXGA (RB). It also has the added benefit of an SDI Loop Out for monitoring or extending the SDI input signal. Control is via the IR remote, RS-232, or via front panel buttons and includes an on-screen menu providing settings and system information.



- Supports HDMI, Composite Video, S-Video, PC (VGA)/HD (Component Video) and SDI inputs
- Supports HDMI and VGA/Component (with adaptor) outputs
- Supports SDI loop through output
- Supports analog stereo, optical and coaxial digital inputs and optical digital output, analog stereo output or embedding to HDMI output
- Supports conversion of multiple video formats and audio input to HDMI or PC/HD and analog stereo outputs
- Supports EDID and HDCP
- Supports 3D de-interlacing, noise reduction and comb filter
- Supports frame rate conversion
- Supports RS-232, remote handset, and front panel control
- Supports SDI Standards of SMPTE 425M (Level A and Level B), SMPTE 424M, SMPTE 292M, SMPTE 259M-C
- Supports SDI bit rates at 2.970 Gb/s, 2.970/1.001 Gb/s, 1.485 Gb/s, 1.485/1.001 Gb/s and 270 Mb/s
- Supports SDI signal input and output distances of up to 300m for SD signals, 200m for HD signals and 100m for 3G signals

P/N	Input Interface	Output Interface	Upscaling TV Resolution	Upscaling PC Resolution	Downscaling TV Resolution	Downscaling PC Resolution	Frame Rate Conversion	HDCP
CSLUX-300I	HDMI/SDI/PC/Component/CV/SV	HDMI/PC/SDI (Loop)	1080p@50/60	WUXGA@60 (RB)	480p/576p	VGA@60	50/60	Yes

Multi-Format to HDMI/PC Scaler

CSC-5500

The CSC-5500 Scaler has Composite Video, Component Video, PC (VGA), and HDMI inputs and can switch and scale the signal to HDMI or VGA with audio outputs. It supports HDMI output resolutions up to 1080p/WUXGA and Analog Digital Conversion (ADC) and Digital Analog Conversion (DAC) allowing a wide range of AV signals to be displayed on a HDMI or VGA display. Further, the On-screen Display (OSD), IR remote, RS-232, IP and on-panel controls make this product very versatile.



- Supports switching and scaling of multiple AV inputs to HDMI or PC/HD outputs
- Supports EDID and HDCP
- Supports 3D de-interlace, noise reduction and 3D comb filter
- Supports frame rate conversion
- Supports RS-232, IP(Telnet/Web GUI) and IR controls
- Supports output timing hot keys switching
- HDMI compatible with DVI
- Supports Digital to Analog (DAC) and Analog to Digital (ADC) Audio conversion
- Supports special HDCP setting for Apple TV and other Apple devices

P/N	Input Interface	Output Interface	Upscaling TV Resolution	Upscaling PC Resolution	Downscaling TV Resolution	Downscaling PC Resolution	Frame Rate Conversion	HDCP
CSC-5500	HDMI/PC/Component/CV/SV	HDMI/PC	1080p@50/60	WUXGA@60 (RB)	480p/576p	VGA@60	50/60	Yes

Multi-Format to HDMI Scaler

CP-255I

The CP-255I is designed to upscale digital/analog video signals from Composite, S-Video, PC, Component (HD) and HDMI input sources, to digital HDMI output of a wide range of HDTV and PC resolutions including 1080p and WUXGA (1920x1200).

As well as upscaling video, the scaler box also converts digital/analog audio signals to digital format, which can then be output either through HDMI combined with the video signal or separately via the discrete Coaxial S/PDIF output.

The Scaler has a comprehensive on-screen display (OSD) menu that allows the user to select a variety of output resolutions and adjust them for the best picture quality.



- HDMI, HDCP 1.1 and DVI 1.0 compliant
- Scales any PC (VGA~WUXGA) or HD (480i~1080p) resolutions to from another PC/HD resolutions
- Automatically detects the correct settings of the connected display and outputs the corresponding resolution and refresh rate, when the NATIVE output is selected
- Supports 50/60 Hz frame rate conversion
- Supports 3D motion video adaptive, 3D de-interlacing, and 3:2 / 2:2 pull-down detection and recovery
- Provides output picture adjustment on contrast, brightness, hue, saturation, sharpness, RGB (color tone) level, and aspect ratio size
- Supports high resolution input/output:
 - PC: VGA, SVGA, XGA, SXGA, UXGA, WXGA, WSXGA, and WUXGA
 - HDTV: 480i, 576i, 480p, 576p, 720p, 1080i and 1080p
- Supports digital and analog audio input and digital output

P/N	Input Interface	Output Interface	Upscaling TV Resolution	Upscaling PC Resolution	Downscaling TV Resolution	Downscaling PC Resolution	Frame Rate Conversion	HDCP
CP-255I	HDMI/PC/Component/CV/SV	HDMI	1080p@50/60	WUXGA@60 (RB)	480i/576i	VGA@60	50/60	Yes

HDMI/PC/Component to HDMI Scaler

CP-255H

An ideal company to your HDMI TVs, CP-255H series is a professional universal scaler with ultra high bandwidth (205MHz). It accepts both analog and digital input and outputs a variety of scaled PC and HDTV resolutions.

- Both digital and analog inputs are format converted and pixel re-scaled
- Outputs a big range of formats and resolutions to ensure highest picture quality
- Analog RGB compliant input
- DVI/HDCP/HDMI compliant input
- Operates up to 165Mhz (Up to UXGA @60Hz)
- Integrated 8-bit triple-ADC/PLL
- Integrated DVI/HDCP/HDMI compliant receiver
- Dual high quality scaling engines. 3D noise reduction
- Dual 3D motion video adaptive deinterlacers with adaptive edge oriented adaptive algorithm for smooth low-angle edge
- Automatic 3:2 pull-down & 2:2 pull-down detection and recovery. Proprietary Advanced Color Engine technology
- Brilliant and fresh color. Intensified contrast and details.
- Vivid skin tone. Sharp edges. Independent color control
- Operates through on-screen OSD menu control and remote control



P/N	Input Interface	Output Interface	Upscaling TV Resolution	Upscaling PC Resolution	Downscaling TV Resolution	Downscaling PC Resolution	Frame Rate Conversion	HDCP
CP-255H	HDMI/PC/Component	HDMI	1080p@50/60	WUXGA@60 (RB)	480i/576i	VGA@60	50/60	Yes

HDMI/DisplayPort/VGA to HDMI Converter with 3D

CS-801H

This high performance video processor allows 3D movies to be watched on a 2D displays and can also scale and switch HDMI, DisplayPort and PC inputs to a HDMI output, along with their associated audio signals. The operation of all features can be easily handled through on-panel controls, IR remote control, or by RS-232 protocol.

- Supports HDMI 3D processing on Frame Packing and Top-and-Bottom at resolutions of 720p@50/60Hz and 1080p@24Hz, Side-by-Side Half signals at 720p@50/60Hz, 1080i@50/60Hz(input only) and 1080p@24/50/60Hz
- Supports HDMI/Component input resolutions up to 1080p@50/60Hz, DisplayPort up to 2560x1600@60HzRB and PC up to 1920x1200@60/75Hz
- Supports digital and analog audio bi-directional conversion, embedding and de-embedding for audio signals from individual inputs or from the HDMI source
- Supports component input with VGA to 3xRCA adaptor



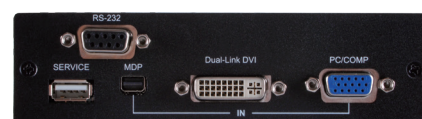
P/N	Input Interface	Output Interface	Upscaling TV Resolution	Upscaling PC Resolution	Downscaling TV Resolution	Downscaling PC Resolution	Frame Rate Conversion	HDCP
CS-801H	HDMI/DisplayPort/VGA	HDMI	1080p@60	WUXGA@60 (RB)	480p	VGA@60	60 ONLY	-

Dual-Link DVI/Mini DisplayPort/VGA to HDMI Scaler

CS-802D

The CS-802D High Definition Scaler can take in video signal from Dual-Link DVI, Mini-DisplayPort or PC/Component sources, and then convert and scale the signal to HDMI output, with the associated audio signal processed synchronously. Supports wide range of PC and HDTV input resolutions. The operation can be done easily through its on-panel buttons, IR remote control, or RS-232 protocol.

- Supports Component input timing up to 1080p@50/60Hz, Dual-Link DVI & Mini-DisplayPort up to 2560x1600@60Hz (RB) and PC up to 1920x1200@60 (RB)
- Supports both digital to analog and analog to digital audio conversion and can be used for audio signal extracting or inserting applications



P/N	Input Interface	Output Interface	Upscaling TV Resolution	Upscaling PC Resolution	Downscaling TV Resolution	Downscaling PC Resolution	Frame Rate Conversion	HDCP
CS-802D	DVI-DL/Mini DisplayPort/VGA	HDMI	1080p@60	WUXGA@60 (RB)	480p	VGA@60	60 ONLY	-

HDMI 4K UHD Scaler

CPRO-2E4KS

The CPRO-2E4KS HDMI UHD 4K2K Scaler is designed to upscale 1080p@24 to 4Kx2K resolution or downscale 4Kx2K to 1080p@24 resolution. The product has an additional Bypass output which displays the original signal, and user can use the Bypass and Scaled output images to compare the video performance or do trouble troubleshooting.

- Supports HDMI signal upscale/downscale between UHD 4Kx2K and 1080p@24 resolutions
- Provides 1 additional HDMI signal bypass output
- Friendly and simple to use



P/N	Input Interface	Output Interface	Upscaling TV Resolution	Upscaling PC Resolution	Downscaling TV Resolution	Downscaling PC Resolution	Frame Rate Conversion	HDCP
CPRO-2E4KS	HDMI	HDMI	4K×2K@24	-	1080p@24	-	AS IS	Yes

HQV HDMI Scaler

CHQV-3CH



The CV/Component to HDMI Scaler Box is specially designed for low resolution analog YCbCr contents video to be upscale and display on HD TV/monitor. This device is suitable for iPod & MPEG 4 like consumer video devices to enjoying display video or images on the big screen with HD resolution. This device has built in the resolution adjustment allowing user to select the best output image according to the favor. Last but not least, the touch button panel and the remote control bring you the stylish and free enjoyment on the entertainment.

- Full HQV quality de-interlacing
- Improved adaptive motion processing for difficult and poor quality video scenes
- Temporal Noise Reduction (TNR)-Reduces noise caused by on film grain, random noise, sensor noise and light fluctuations
- Block Artifact Reduction (BAR)-Reduces Compression block artifact
- Mosquito Noise Reduction (MNR)-Reduces mosquito noise
- Supports NTSC/PAL input video and resolution 480i/p and 576i/p
- Video output resolution up to 1080p@50/60 Hz
- Power over USB
- Palm size with stylish design
- Demo before scale and after scale's picture difference
- Enhance picture's detail quality

CHQV-2H



The HDMI to HDMI Scaler Box is designed for the Blu-ray DVD players, Digital TV, Cable and Satellite Set-Top Box (STB), Internet Digital Media Adapters, Audio-Video Receivers and Digital Recorders markets, giving you the freedom to enjoy the full benefits of high resolution video by recreating a cinema like experience in the comfort of your home, this device is a worthy addition to any home entertainment system. In addition, the HD inputs have been improved, allowing this Scaler Box to deliver crisp, stunning and noise free full HD video. To improve incoming low resolution to noise free full HD video.

- Full HQV de-interlacing
- Adaptive motion processing for difficult and poor quality video scenes
- Temporal Noise Reduction (TNR): Reduces noise caused by on film grain, random noise, sensor noise and light fluctuations
- Block Artifact Reduction (BAR): Reduces Compression block artifact
- Mosquito Noise Reduction (MNR): Reduces mosquito noise
- 12-bit color space conversion on input and output
- Supports Deep Color at 36-bit color depth and xvYCC color gamut
- HDMI output resolution 480p/576p, 720p@50/60Hz, 1080p@50/60Hz
- Powered by its USB connection, or by an AC connection using an adaptor

P/N	Input Interface	Output Interface	Upscaling TV Resolution	Upscaling PC Resolution	Downscaling TV Resolution	Downscaling PC Resolution	Frame Rate Conversion	HDCP
CHQV-3CH	CV/Component	HDMI	1080p@50/60	-	-	-	AS IS	-
CHQV-2H	HDMI	HDMI	1080p@50/60	-	480p/576p	-	AS IS	Yes

HQV HDMI/Component Video Scaler

CSO-T2

The Instant HQV HD Scaler box allows you to maximize the full benefits of the today's HDTV's. Using the Industry leading HQV Realta Video Processor to convert standard definition content (PAL/NTSC) into a crisp and detailed HD version, this Scaler box is unlike anything you have ever purchased. Giving you the freedom to enjoy the full benefits of high resolution video by recreating a cinema like experience in the comfort of your home, this device is a worthy addition to any home entertainment system. In addition, the HD inputs have been improved, allowing this HQV scaler to deliver crisp, stunning and noise free full HD video.

- 3D video decoder for optimal NTSC/PAL/SECAM video quality
- HDMI 1.3 Tx/Rx with Deep Color and xvYCC color gamut
- True 10-bit HQV video processing
- Motion adaptive four field de-interlacing for SD and HD input
- AnyNoise™-Automatically detects different types of noise and applies the appropriate reduction algorithm
- AnyCadence™-Automatically detects all different cadences including 3:2:3:2 and animation



- MDDF (Multi Directional Diagonal Filtering) eliminates jaggies for both SD and HD input resolutions
- Lip-sync audio delay
- HQV Detail Enhancement - Processes the SD input image quality to approach HD output image quality

P/N	Input Interface	Output Interface	Upscaling TV Resolution	Upscaling PC Resolution	Downscaling TV Resolution	Downscaling PC Resolution	Frame Rate Conversion	HDCP
CSO-T2	HDMI/Component/CV/SV	HDMI/Component	1080p@24/50/60	WUXGA@60 (RB)	480p/576p	VGA@60	24/50/60	Yes

HDMI to HDMI Scaler up to 1080p/WUXGA

CP-259H

Cypress CP-259H is a compact yet versatile HDMI to HDMI Scaler Box. It accepts HDMI input with a separate Toslink or analog audio and scale it to HDMI output (at a number of selectable resolutions) with additional Toslink and analog audio output. CP-259H has a comprehensive OSD menu that allows user to select a variety of output resolutions and adjust for best picture quality. It is ideal for using between incompatible HDMI source and display by changing picture resolution and frame rate of HDMI source to match the native resolution of the HDMI display.



- Scales any PC (VGA ~ WUXGA) /HD (480i ~ 1080p) resolutions to/from another PC/HD resolutions
- Automatically detect the factory setting of the connected display and output the corresponding resolution and refresh rate, when the NATIVE output is selected
- Supports 50/60Hz frame rate conversion
- Supports 3-D motion video adaptive, 3-D de-interlacing, and 3:2/2:2 pull-down detection and recovery
- Provides output picture adjustment on contrast, brightness, hue, saturation, sharpness, RGB level, and scan size
- Supports high resolution input/output:
PC: VGA, SVGA, XGA, SXGA, UXGA, WXGA, WSXGA, WUXGA
HDTV: 480i, 576i, 480p, 576p, 720p, 1080i, and 1080p
- Supports digital and analog audio input and output

P/N	Input Interface	Output Interface	Upscaling TV Resolution	Upscaling PC Resolution	Downscaling TV Resolution	Downscaling PC Resolution	Frame Rate Conversion	HDCP
CP-259H	HDMI	HDMI	1080p@50/60	WUXGA@60 (RB)	480i/576i	VGA@60	50/60	Yes

CV/SV to HDMI Scaler up to 1080p/WUXGA

CP-295N

This Scaler Box is designed to upscale analog video signal from CV/SV input source to digital HDMI output of wide-range HDTV and PC resolutions. Besides video upscaling, the scaler box also converts digital/analog audio signal to digital/analog format, then output to HDMI combining with the video, TOSLink (Optical fibre), and phone jack (L/R audio) simultaneously. This unit has a comprehensive OSD menu that allows users to select a variety of output resolutions and adjust for the best picture quality.



- Scales any video resolutions to PC (VGA ~ WUXGA)/HD (480i ~ 1080p) resolutions
- Automatically detect the factory setting of the connected display and output the corresponding resolution and refresh rate, when the NATIVE output is selected
- Supports 50/60 Hz frame rate conversion
- 3-D motion video adaptive, 3-D de-interlacing and 3:2/2:2 pull down detection and recovery
- Provides output picture adjustment on contrast, brightness, hue, saturation, sharpness, RGB (color tone) level and aspect ratio size
- Supports stereo LPCM analog/digital audio input and stereo LPCM analog/digital output. Simply select among the audio input sources in the OSD menu, then output the audio to HDMI, TOSLink and phone jack simultaneously

P/N	Input Interface	Output Interface	Upscaling TV Resolution	Upscaling PC Resolution	Downscaling TV Resolution	Downscaling PC Resolution	Frame Rate Conversion	HDCP
CP-295N	CV/SV	HDMI	1080p@50/60	WUXGA@60 (RB)	-	-	50/60	-

Component to HDMI Scaler up to 1080p/WUXGA

CP-294

This CP-294 is designed to upscale analog video signal from component input source to digital HDMI output of wide-range HDTV and PC resolutions. Besides HD upscaling, the scaler box also converts digital/analog audio signal to digital/analog format, then output to HDMI combining with the video, TOSLink (Optical fibre), and phone jack (L/R audio) simultaneously. This unit has a comprehensive OSD menu that allows user to select a variety of output resolutions and adjust for best picture quality.



- Scales any HD resolutions to PC (VGA ~ WUXGA)/HD (480i ~ 1080p) resolutions
- Automatically detect the factory setting of the connected display and output the corresponding resolution and refresh rate, when the NATIVE output is selected

- Provides output picture adjustment on contrast, brightness, hue, saturation, sharpness, RGB (color tone) level and aspect ratio size
- Supports stereo LPCM analog/digital audio input and stereo LPCM analog/digital output

PC to HDMI Scaler up to 1080p/WUXGA

CP-293

This CP-293 is designed to upscale analog video signal from PC input source to digital HDMI output of wide-range HDTV and PC resolutions. Besides video upscaling the scaler box also converts input audio signal from TOSLink or L/R to both digital and analog formats, then output to HDMI combining with the video, TOSLink (optical fibre), and phone jack (L/R audio) simultaneously. This unit has a comprehensive OSD menu that allows users to select a variety of output resolutions and adjust for the best picture quality.



- Scales any PC resolutions to PC (VGA ~ WUXGA)/HD (480i ~ 1080p)
- Automatically detect the factory setting of the connected display and output the corresponding resolution and refresh rate, (NATIVE selected)
- Provides output picture adjustment on contrast, brightness, hue, saturation, sharpness, RGB (color tone) level and aspect ratio size

- Supports stereo LPCM analog/digital audio input and stereo LPCM analog/ digital output
- Simply select among the audio input sources in the OSD menu, then output the audio to HDMI, TOSLINK and phone jack simultaneously

DVI/PC/Component to HDMI Scaler up to 1080p/WUXGA

CP-290

This Scaler Box is designed to display your PC/HD images with a better viewing quality. It can upscale PC & DVI input sources to HDMI output for wide-range resolutions. This unit allows users to select a variety of output resolutions and adjust for the best picture quality. Furthermore, it also transfer sounds through HDMI, so users can enjoy both HD images and sounds with great satisfaction.



- Scale PC/HD/DVI/HDMI resolutions to XGA/UXGA/720p/1080p resolutions
- Supports PC/HD&DVI/HDMI to HDMI output

- Transfers L/R and coaxial sounds to HDMI
- Input and output selection buttons for quick and easy function choose

P/N	Input Interface	Output Interface	Upscaling TV Resolution	Upscaling PC Resolution	Downscaling TV Resolution	Downscaling PC Resolution	Frame Rate Conversion	HDCP
CP-294	Component	HDMI	1080p@50/60	WUXGA@60 (RB)	480i/576i	VGA@60	50/60	-
CP-293	PC	HDMI	1080p@50/60	WUXGA@60 (RB)	480i/576i	VGA@60	50/60	-
CP-290	DVI/PC/Component	HDMI	1080p@50/60	WUXGA@60 (RB)	720p@50/60	XGA@60	AS IS	-

HDMI to HDMI Scaler up to 1080p/WUXGA

CP-302M

The CP-302M is designed to scale HDMI sources, either HD or PC resolution, to an alternative HDMI resolution (HD or PC). The device is HDMI and DVI compliant and is perfect for the integration of sources where resolution and/or resolution type requires conversion. A simple on-screen display (OSD) allows the user to configure the device with ease.



- HDMI, HDCP 1.1 and DVI 1.0 compliant
- Upscale the video signal from an HDMI source up to 1080p@50/60
- Accepts a wide range of input resolutions of 480i to 1080p (HDTV) and VGA to WUXGA (PC)
- Supports audio sampling rate up to 192 kHz
- Motion adaptive 3-D deinterlacing algorithm
- 3-D noise reduction in both temporal and spatial domain
- Frame rate conversion
- Adaptive contrast enhancement
- Supports CEC bypass
- Native output resolution setting

P/N	Input Interface	Output Interface	Upscaling TV Resolution	Upscaling PC Resolution	Downscaling TV Resolution	Downscaling PC Resolution	Frame Rate Conversion	HDCP
CP-302M	HDMI	HDMI	1080p@60	WUXGA@60 (RB)	480p/576p	VGA@60	50/60	Yes

HDMI to HDMI Scaler up to 1080p/WUXGA

CP-298H

This CP-298H is designed to display your HD images on a HDTV. It can upscale HDMI input sources to HDMI output for a wide-range of HD resolutions; the resolution supported include XGA/UXGA or 720p/1080p/1366x768/1440x900/1400x1050. This unit provides you with a variety of output resolutions in order to give you the best picture quality. Moreover, with a built-in hot-key OSD this Scaler helps users to view and select the desired resolution instantly.



- Input supports HDMI 8 bit
- Fast switch hot key from 720p to 1080p/1280x800/1366x768/1920x1200 (RB)
- Auto – Detection and Hot plug
- Interlaced - progressive conversion with various picture display
- HDCP compliant

P/N	Input Interface	Output Interface	Upscaling TV Resolution	Upscaling PC Resolution	Downscaling TV Resolution	Downscaling PC Resolution	Frame Rate Conversion	HDCP
CP-298H	HDMI	HDMI	1080p@60	WUXGA@60 (RB)	720p@60	VGA@60	60 ONLY	Yes

CV/SV to HDMI Scaler up to 1080p/UXGA

CM-398H

The CM-3698H can convert CV/SV to HDMI resolutions of XGA to UXGA or HD resolutions of 480p to 1080p. With frame rate conversion feature that allows users to view DVD, VCR or video game sources on the HD monitor/TV. It has an On-Screen Display function that allows users to easily select the output resolution and the audio input, after which both the video and audio signal are combined into an HDMI signal so they can be output to a compatible display.



- Operates in NTSC 3.58 and PAL & SECAM system
- Can scale CV/SV to HDMI format
- PC output resolution: XGA, SXGA, UXGA
- Component output resolution: 480p/576p, 720p@50 or 60, 1080p@50 or 60
- 3D (frame based) motion adaptive YNR/CNR noise reduction
- Advance 3D motion adaptive de-interlace
- Automatic 2:2 & 3:2 film mode detection
- High-resolution output picture
- Component resolution support 50 to 60 frame rate conversion only not 60 to 50
- PC resolution frame rate only supports 60 Hz output

P/N	Input Interface	Output Interface	Upscaling TV Resolution	Upscaling PC Resolution	Downscaling TV Resolution	Downscaling PC Resolution	Frame Rate Conversion	HDCP
CM-398H	CV/SV	HDMI	1080p@50/60	UXGA@60	-	-	50 to 60	-

SCART to HDMI Scaler up to 1080p

CSLUX-1080P

This scaler Box is designed to display your analog video/ RGB images on HDTV's with better viewing resolutions. It can upscale any SCART input source to HDMI output with a wide-range of resolutions. Incredibly, this device can also transfer sounds allowing everyone to enjoy both HD images and sounds. Convert video to HDMI 1.3 at 1080p for HDMI LCD TV/LCD monitor. Up scales video quality to HDMI resolution.

- Scales up SCART to HDTV 1080p
- Automatic lip-sync (audio delay) ensures audio video synchronization
- Input video systems NTSC/PAL
- Supports 8/10/12 bit deep color HDMI output up to 6 meters away
- DVI compatible by using an HDMI to DVI adaptor
- HQE (High Quality Image enhancer) function
- Digital Noise Reduction – Minimizes picture noise
- Block Noise Reduction – Effectively minimizes all MPEG noise, Improving the digital quality of HDTV broadcasts particularly, where block noise happens most



- MPEG Noise Reduction – Reduce mosquito noise for images without losing detail
- 3D (frame based) motion adaptive noise reduction
- Advanced 3D motion adaptive de-interlace
- Automatic 2:2/3:2 film mode detection
- Automatic and individual resolution selection buttons
- HDMI output with RGB color space design

P/N	Input Interface	Output Interface	Upscaling TV Resolution	Upscaling PC Resolution	Downscaling TV Resolution	Downscaling PC Resolution	Frame Rate Conversion	HDCP
CSLUX-1080P	SCART	HDMI	1080p@50/60	-	-	-	AS IS	-

CV/SV to HDMI Scaler up to 1080p/VGA

CVLUX-1080P

This scaler Box is designed to display your composite video/ S-video images on the HDTV with better viewing resolutions. It can upscale any composite video & S-Video's input sources to HDMI output with wide-range resolutions. Further, this device also can inject audio for user to enjoy both HD images and sounds consistently. Convert video to HDMI at 1080p for HDMI LCD TV/LCD monitor.

- Automatic lip-sync (audio delay) ensures audio video synchronization
- Supports 8/10/12 bit deep color on HDMI output up to 6M long cable
- DVI compatible by using HDMI to DVI adaptor
- HQE (High Quality Image enhancer) function
- Digital Noise Reduction - Minimises picture noise, reproducing images true to original
- Block Noise Reduction - Effectively minimizes all MPEG noise, Improving the digital quality of HDTV broadcasts in particular, where block noise happens most
- MPEG Noise Reduction - Reduce mosquito noise video images without losing detail



- Motion adaptive 3D Y/C separation comb filter
- 3D (frame based) motion adaptive noise reduction
- Advanced 3D motion adaptive de-interlace
- Automatic 2:2/3:2 film mode detection
- Automatic resolution selection and individual resolution selection button
- Input video systems NTSC/PAL and HDMI output with RGB color space design

P/N	Input Interface	Output Interface	Upscaling TV Resolution	Upscaling PC Resolution	Downscaling TV Resolution	Downscaling PC Resolution	Frame Rate Conversion	HDCP
CVLUX-1080P	CV/SV	HDMI	1080p@50/60	VGA@60	-	-	AS IS	-

CV/SV to Mini DisplayPort Scaler up to 1080p/VGA

CVMDP-1080P

This scaler box is designed to display your Composite video/S-Video images on the Mini DisplayPort with better viewing resolutions. It can upscale any Composite video/S-Video's input source into Mini DisplayPort output with wide-range resolutions. Additionally, this device can also transfer audio for user to enjoy both HD images and sound consistently. Composite video/S-Video to Mini DisplayPort or DisplayPort signal conversion. Scale Composite video/S-Video signal into Mini DisplayPort support format.



- Scales up Composite video or S-Video to HDTV 1080p format
- Automatic lip-sync (audio delay) ensures audio video synchronization
- Supports 8-bit on Mini DisplayPort output up to 6M distance
- HQE (High Quality Image Enhancer) function
- Minimizes picture noise, reproducing images true to the original
- Minimizes all MPEG noise, Improving the digital quality of HDTV broadcasts in particular, where block noise happens most

- Reduces mosquito noise for MPEG without losing detail.
- Motion adaptive 3D Y/C separation comb filter
- 3D (frame based) motion adaptive noise reduction
- Advanced 3D motion adaptive de-interlace
- Automatic 2:2/3:2 film mode detection
- Composite video/S-Video input selection button
- Automatic or Manual individual resolution selection button
- Mini DisplayPort output with RGB color space design

P/N	Input Interface	Output Interface	Upscaling TV Resolution	Upscaling PC Resolution	Downscaling TV Resolution	Downscaling PC Resolution	Frame Rate Conversion	HDCP
CVMDP-1080P	CV/SV	Mini DisplayPort	1080p@50/60	VGA@60	480p/576p	VGA@60	50/60	-

DVI Scaler

Multi-Format to DVI Scaler

CP-255ID

The CP-255ID Scaler is capable of scaling and sources switching from Composite Video, S-Video, PC (VGA) and DVI input signals to a DVI output. A corresponding analog stereo audio input can be switched and sent to the stereo audio output with the video source selection. It has the added benefit of control through front panel buttons, IR remote, or RS-232, and there is on-screen menu (OSD) providing setting selection and system information. The device provides a full range of output resolutions, up to 1080p for HDTV resolutions, and WUXGA (RB) for PC resolutions.



- Supports the conversion of multiple video and audio formats to DVI
- Supports synchronized output for input video and output audio signals
- Supports 3D de-interlacing, noise reduction and Comb filter
- Supports frame rate conversion
- Supports control via RS-232, IR Remote handset and front panel

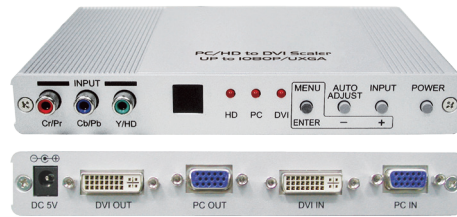
P/N	Input Interface	Output Interface	Upscaling TV Resolution	Upscaling PC Resolution	Downscaling TV Resolution	Downscaling PC Resolution	Frame Rate Conversion	HDCP
CP-255ID	DVI/PC/CV/SV	DVI	1080p@50/60	WUXGA@60 (RB)	480p/576p	VGA@60	50/60	Yes

DVI/PC/Component to DVI/PC/Component Scaler

CP-255DN

This DVI Scaler is designed to convert PC, SD, HD and DVI to digital DVI at a variety of HDTV and PC resolutions. It handles input and output signal at 165MHz ultra high bandwidth. It also has many great features to enhance video performance and is ideal for use in professional large screen presentation.

- High bandwidth and professional PC/Component/DVI to DVI Scaler that accepts PC RGB (up to WUXGA), HD Component (480i up to 1080p) and DVI (up to WUXGA) and scale them up to DVI-I output (1080p/WUXGA)
- The input analog PC or HDTV signal in the format of either RGBHV, YPbPr, (YCbCr) or digital DVI
- The output digital DVI plus analog PC/HD with selectable output resolution from 480i to 1080p and VGA to WUXGA
- The input resolution is automatically detected while the output resolution and refresh rate can be selected through OSD menu or front panel push buttons
- Native output resolution ensures most optimal display resolution on your screen. When "Native" is selected as the output resolution, the device will automatically detect the native resolution of the display and send out the most optimal pixel timing to match TV's final display resolution
- Output picture adjustment on brightness, contrast, color, RGB level, and H-V position
- The DVI input is HDCP compliant which means if input is HDCP encrypted then DVI output is also HDCP encrypted. In this case the PC analog output will be turned off
- Includes advanced features such as Noise Reduction and overscan/underscan adjustment



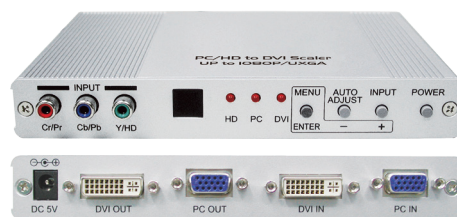
P/N	Input Interface	Output Interface	Upscaling TV Resolution	Upscaling PC Resolution	Downscaling TV Resolution	Downscaling PC Resolution	Frame Rate Conversion	HDCP
CP-255DN	DVI/PC/Component	DVI/PC/Component	1080p@50/60	WUXGA@60 (RB)	480i/576i	VGA@60	50/60	Yes

DVI/PC/Component to DVI/PC Scaler

CP-255D

A professional universal scaler with ultra high bandwidth (205 MHz). It accepts both analog and digital input and outputs a variety of scaled PC and HDTV resolutions.

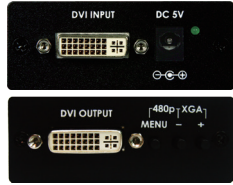
- Both digital and analog inputs are format converted and pixel re-scaled
- DVI/HDCP/HDMI compliant input
- Operates up to 165Mhz (Up to UXGA @60Hz)
- Supports digital and analog PC RGB output up to WUXGA @60Hz
- Supports digital HD output up to 1080p
- Integrated 8-bit triple-ADC/PLL
- Integrated DVI/HDCP/HDMI compliant receiver
- Dual high quality scaling engines
- Dual 3-D motion video de-interlacers with adaptive edge oriented algorithm for smooth low-angle edge
- Automatic 3:2 pull-down & 2:2 pull-down detection and recovery
- The proprietary advanced color engine technology for fresh color
- Intensified contrast and details. Vivid skin tone. Sharp edges
- 3D noise reduction
- Operates through on-screen OSD menu control and remote control



P/N	Input Interface	Output Interface	Upscaling TV Resolution	Upscaling PC Resolution	Downscaling TV Resolution	Downscaling PC Resolution	Frame Rate Conversion	HDCP
CP-255D	DVI/PC/Component	DVI/PC	1080p@50/60	WUXGA@60 (RB)	480i/576i	VGA@60	50/60	-

DVI to DVI Scaler

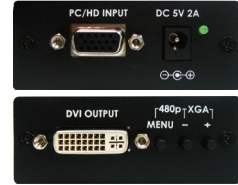
CP-254



- Accepts digital DVI-D input and converts to DVI-I (digital + analog RGB) output
- The input is digital PC or HDTV signal in the format of either RGBHV or YPbPr/YCbCr data bitstream
- The output is digital + analog PC or HDTV signal in the format of digital RGBHV bitstream plus analog RGBHV
- The input resolution is automatically detected while the output resolution and refresh rate can be selected through OSD menu and front panel push buttons
- 48 MB frame memory for frame rate conversion.
- Output picture adjustment on brightness, Contrast, Color, RGB level, and H-V position
- DVI output enables an all digital rendering of video without the losses associated with an analog interface and is ideal for use with digital display

VGA to DVI Scaler

CP-252



- Accepts analog RGB input (VGA) and converts to DVI-I (digital + analog RGB) output
- The input is analog PC or HDTV signal in the format of either RGBHV, YPbPr, or(YCbCr)
- The output is digital + analog PC or HDTV signal in the format of digital RGBHV bitstream plus analog RGBHV
- The input resolution is automatically detected while the output resolution and refresh rate can be selected through OSD menu and front panel push buttons
- 48 MB frame memory for frame rate conversion
- Output picture adjustment on brightness, contrast, color, RGB level, and H-V position
- DVI output enables an all digital rendering of video without the losses associated with an analog interface and is ideal for use with digital display

P/N	Input Interface	Output Interface	Upscaling TV Resolution	Upscaling PC Resolution	Downscaling TV Resolution	Downscaling PC Resolution	Frame Rate Conversion	HDCP
CP-254	DVI-I	DVI-I	1080i/50/60 (Pseudo)	SXGA@75	480i/576i	VGA@60	50/60	-
CP-252	PC/Component	DVI-I	1080i/50/60 (Pseudo)	SXGA@75	480i/576i	VGA@60	50/60	-

CV/SV to DVI Scaler up to 1080p/UXGA

CM-398DI

The CM-398DI is a compact device that allows you to show content from Composite Video (CV) or S-Video (SV) sources on PC monitors or Component televisions. Compact and lightweight this easy to use device allows you to convert CV/SV (NTSC or PAL) formatted content to DVI-I (digital and analog) resolutions from XGA to UXGA or HD resolutions from 480p to 1080p and thanks to frame rate conversion you can view content from DVD/Blu-Ray players or game consoles on DVI monitors.



- Supports NTSC 3.58 and PAL
- High Quality Scaling Engine
- PC output resolution XGA, SXGA, UXGA
- DVI output resolution 480p/576p, 720p, 1080p@50/60
- 3D (frame based) motion adaptive YNR/CNR noise reduction (for Y/C video input)
- An intuitive On Screen Display
- Advanced 3D motion adaptive de-interlace
- Automatic 2:2 & 3:2 film mode detection

P/N	Input Interface	Output Interface	Upscaling TV Resolution	Upscaling PC Resolution	Downscaling TV Resolution	Downscaling PC Resolution	Frame Rate Conversion	HDCP
CM-398DI	CV/SV	DVI-I	1080p@50/60	UXGA@60	-	-	50 to 60	-

VGA to DVI Scaler up to WUXGA

CP-300VD

The VGA to DVI Scaler is designed to convert a VGA signal to DVI so that it can be displayed on a DVI monitor without loss of image quality. It can upscale VGA input sources to DVI output for a widerange of PC resolutions, from VGA to WUXGA. The Scaler has a variety of output resolutions and adjustment for the best picture quality. Also, the built-in OSD function makes it easy for the user to view or select the desired resolution.



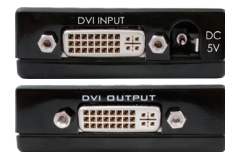
- Supports PC resolution bypass from VGA to WUXGA@60 Hz (RB)
- Supports bypass, manual and TV native modes
- Supports auto-detection and hot plugging

P/N	Input Interface	Output Interface	Upscaling TV Resolution	Upscaling PC Resolution	Downscaling TV Resolution	Downscaling PC Resolution	Frame Rate Conversion	HDCP
CP-300VD	PC	DVI-D	-	WUXGA@60 (RB)	-	VGA@60	60/72/75/85 to 60	-

DVI to DVI Scaler up to 1080p/WUXGA

CP-298D

The CP-298D is design to display your DVI images on the HDTV with better viewing image. It can upscale DVI input sources to DVI output for wide-range of HD resolutions; the resolution support XGA/UXGA/720p/1080p/1366 x 768/1440 x 900/1400 x 1050. This unit allows user to with a variety of output resolutions and adjust for the best picture quality. Move over, with built-in hot-key OSD function and display it helps user to view and select the desire resolution instantly.



- Output supports HDMI 1.2, HDCP 1.1 and DVI 1.0
- HDCP compliant
- Input supports HDMI v1.3 8/10/12-bit deep color mode
- Fast switch hot key from 720p to 1080p/1280x800/1366x768/1920x1200(RB)

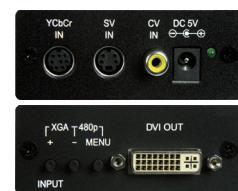
- Support HD resolution input: VGA~WSXGA, WUXGA (Reduce Blanking)/1366x768/1440x900/1400x1050/480p@60, 720p@60, 1080p@60
- Auto -Detection and Hot plug
- Interlaced to progressive conversion with various picture display supplement

P/N	Input Interface	Output Interface	Upscaling TV Resolution	Upscaling PC Resolution	Downscaling TV Resolution	Downscaling PC Resolution	Frame Rate Conversion	HDCP
CP-298D	DVI	DVI	1080p@60	WUXGA@60 (RB)	480p	VGA@60	60 ONLY	Yes

Video to DVI Scaler up to 1080i/SXGA

CM-348ST

- Video inputs are 3D de-interlaced and scaled up to PC or HDTV output resolution
- Automatically accommodates worldwide input video systems of NTSC 3.58, NTSC 4.43, PAL, PAL M, PAL N, and SECAM
- High performance adaptive digital 4H Comb filter Y/C separator with adjustable vertical peaking
- Motion compensated deinterlacing algorithms to produce artifact-free progressive scan video signal
- Built in adaptive film mode 3:2 / 2:2 pull-down provides clear and crisp de-interlacing of video originating from 24 fps film,such as DVD movies
- Frame rate up conversion from 50 Hz up to 85 Hz
- Vertical temporal filter(VT) removes jaggy and other de-



- interlacing artifacts from normal video
- OSD menu with adjustable control on Color,Sharpness,Brightness,Contrast and Tint(NTSC)
- Last memory for all adjustments

P/N	Input Interface	Output Interface	Upscaling TV Resolution	Upscaling PC Resolution	Downscaling TV Resolution	Downscaling PC Resolution	Frame Rate Conversion	HDCP
CM-348ST	Component/CV/SV	DVI-D	1080i@50/60 (Pseudo)	SXGA@60	480p/576p	VGA@60	50/60	-

3G-SDI Scaler

Multi-Format to 3G-SDI/HDMI Scaler

CLUX-M2SDI

The HDMI/PC/Component/CV to SDI/HDMI Scaler allows you to upscale HDMI/PC/Component/Composite signals to high definition video of HDMI formats (720p@50/60 Hz or 1080p@50/60 Hz) and SDI formats (HD-SDI SMPTE 292M or 3G-SDI 424M/425M), then output to both ports at the same time. Besides scaling features, the device also carries functionalities for it to serve as control center of video wall up to 15x15 total 225 displays showing one single picture together.



- Supports HDMI, PC, Component and Composite Video input signals
- Supports SDI and HDMI output simultaneously
- Supports SDI output distance up to 100 meters (3G-SDI), or 200 meters (HD-SDI) and 300 meters (SD-SDI)
- Scales any input signal to the following output signals:
 - HDMI: 720p@50/60 Hz or HD-SDI: SMPTE 292M (1.485 Gbit/s)
 - HDMI: 1080p@50/60 Hz or 3G-SDI: SMPTE 424M/425M (2.970 Gbit/s)
- Supports HDMI input timings: VGA@60 ~ SXGA@75 & 480p/576p ~ 1080p@50/60 Hz
- Supports VGA input timings: VGA@60 ~ SXGA@60 Hz & 1920x1080@60 Hz
- Supports Component input timings: 480i/576i ~ 1080i/p@50/60 Hz
- Supports Composite Video input timings NTSC, PAL
- Supports video wall controlling

P/N	Input Interface	Output Interface	Upscaling TV Resolution	Upscaling PC Resolution	Downscaling TV Resolution	Downscaling PC Resolution	Frame Rate Conversion	HDCP
CLUX-M2SDI	HDMI/PC/Component/CV	HDMI/SDI	1080p@50/60	SDI: SMPTE 424M/425M (2.970 Gbit/s)	480i/576i	SDI: SMPTE 292M (1.485 Gbit/s)	50/60	Yes

3G-SDI to HDMI Scaler with Audio

CLUX-SDI2HS

The SDI to HDMI Scaler allows SD, HD and 3G-SDI signals to be shown on HDMI display. This means that it is now easier for professionals to distribute and extend their SDI signal while giving the ability to display work on HDMI displays. Furthermore, thanks to coaxial (S/PDIF) and L/R audio outputs users can output audio in both digital and analog formats while the loop-through 3G-SDI design benefits users by letting them simultaneous show content on both SDI and HDMI displays.



- Supports SD-SDI, HD-SDI and 3G-SDI input signals with auto-detection
- Supports HDMI and SDI (bypass) output simultaneously
- SDI interface operates at bitrates of 2.970 Gbit/s, 2.970/1.001 Gbit/s, 1.485 Gbit/s, 1.485/1.001 Gbit/s and 270 Mb/s
- Supports SDI input/output distance up to 100M (3G-SDI), 200M (HD-SDI), or 300M (SD-SDI)
- Scale any SDI input signal to HDMI:
 - PC timings: SVGA@60 ~ WUXGA@60 (RB)
 - HDTV timings: 480p/576p ~ 1080p@50/60
- Supports SDI input modes:
 - SD-SDI (SMPTE 259M-C, at bitrates of 270 Mbit/s)
 - HD-SDI (SMPTE 292M, at bitrates of 1.485 Gbit/s and 1.485/1.001 Gbit/s)
 - 3G-SDI (SMPTE 424M/425M-AB, at bitrates of 2.970 Gbit/s and 2.970/1.001 Gbit/s)
- Equalized and re-clocked loop output
- Alternative audio output to coaxial and analog 2CH
- Integrated audio de-embedder for up to 8 channels of 48 kHz audio

P/N	Input Interface	Output Interface	Input	Output	Max. Output TV Timing	Max. Output PC Timing	External Audio	Extender Cable
CLUX-SDI2HS	SDI	HDMI	1	1	1080p@50/60	WUXGA@60 (RB)	Yes	N/A

3G-SDI to PC/HD Scaler with Audio

CLUX-SDI2VS

The SDI to VGA Scaler allows SD, HD and 3G-SDI signals to be shown on PC/HD display. This means that it is now easier for professionals to distribute and extend their SDI signal while giving the ability to display work on PC/HD display. Furthermore, thanks to coaxial (S/PDIF) and L/R audio outputs users can output audio in both digital and analog formats while the loop-through 3G-SDI design benefits users by letting them simultaneous show content on both SDI and PC/HD displays.



- Supports SD-SDI, HD-SDI and 3G-SDI input signals with auto-detection
- Supports PC/HD and SDI (bypass) output simultaneously
- SDI interface operates at bitrates of 2.970 Gbit/s, 2.970/1.001 Gbit/s, 1.485 Gbit/s, 1.485/1.001 Gbit/s and 270 Mb/s
- Supports SDI input/output distance up to 100M (3G-SDI), 200M (HD-SDI), or 300M (SD-SDI)
- Scale any SDI signal to PC/HD:
 - PC timings: VGA@60 ~ WUXGA@60 (RB)
 - HDTV timings: 480i/576i ~ 1080p@50/60
- Supports SDI input modes:
 - SD-SDI (SMPTE 259M-C, at bitrates of 270 Mbit/s)
 - HD-SDI (SMPTE 292M, at bitrates of 1.485 Gbit/s and 1.485/1.001 Gbit/s)
 - 3G-SDI (SMPTE 424M/425M-AB, at bitrates of 2.970 Gbit/s and 2.970/1.001 Gbit/s)
- Equalized and re-clocked loop output
- Alternative audio output to coaxial and analog 2CH

P/N	Input Interface	Output Interface	Input	Output	Max. Output TV Timing	Max. Output PC Timing	External Audio	Extender Cable
CLUX-SDI2VS	SDI	PC/Component	1	1	1080p@50/60	WUXGA@60 (RB)	Yes	N/A

3G-SDI to CV/SV Scaler with Audio

CLUX-SDI2CSS

The SDI to CV/SV Scaler allows SD, HD and 3G-SDI signals to be shown on CV/SV display. This means that it is now easier for professionals to distribute and extend their SDI signal while giving the ability to display work on PC/HD display. Furthermore, thanks to coaxial (S/PDIF) and L/R audio outputs users can output audio in both digital and analog formats while the loop-through 3G-SDI design benefits users by letting them simultaneous show content on SDI, Composite Video and S-Video displays.



- Supports SD-SDI, HD-SDI and 3G-SDI input signals with auto-detection
- Supports CV/SV and SDI (bypass) output simultaneously
- SDI interface operates at bitrates of 2.970 Gbit/s, 2.970/1.001 Gbit/s, 1.485 Gbit/s, 1.485/1.001 Gbit/s and 270 Mb/s
- Supports SDI input/output distance up to 100M (3G-SDI), 200M (HD-SDI), or 300M (SD-SDI)
- Scale any SDI signal to CV/SV of NTSC or PAL format
- Supports SDI input modes:
 - SD-SDI (SMPTE 259M-C, at bitrates of 270 Mbit/s)
 - HD-SDI (SMPTE 292M, at bitrates of 1.485 Gbit/s and 1.485/1.001 Gbit/s)
 - 3G-SDI (SMPTE 424M/425M-AB, at bitrates of 2.970 Gbit/s and 2.970/1.001 Gbit/s)
- Equalized and re-clocked loop output
- Alternative audio output to coaxial and analog 2CH

P/N	Input Interface	Output Interface	Input	Output	Max. Output TV Timing	Max. Output PC Timing	External Audio	Extender Cable
CLUX-SDI2CSS	SDI	CV/SV	1	1	NTSC/PAL	N/A	Yes	N/A

VGA/Component Video Scaler

VGA/Component/SV/CV to PC/HDTV Scaler

CSC-220

CSC-210



The CSC-220 is designed to convert Composite, S-Video, YCbCr/YPbPr and PC signals to a variety of computer and HDTV resolutions. It handles video input from TV systems NTSC, PAL and SECAM TV standards. Cypress CSC-220 has many great features to enhance performance and is ideal for use in professional large screen presentation.

The CSC-210 is designed to convert Composite, S-Video and YCbCr/YPbPr or PC signals to a variety of computer resolutions. It handles video input from TV systems NTSC, PAL TV standards. Cypress CSC-210 has many great features to enhance performance and is ideal for use in professional large screen presentation.

- Professional universal scaler/deinterlacer for CV, SV, YCbCr/YPbPr and PC inputs
- All inputs can be scaled up to output resolution as below:
 - PC output : 640x 480, 800x 600 (SVGA), 1024 x768 (XGA), 1280 x 1024(SXGA)
 - HDTV output: 480p, 576p, 720p, 1080i
- Automatically accommodates input video systems of NTSC 3.58, PAL and SECAM
- High performance adaptive 3D Comb filter Y/C separator
- Per-pixel motion compensated deinterlacing algorithms to produce artifact-free progressive scan video signal
- Built in Adaptive film mode 3:2 pull-down provides clear and crisp deinterlacing of video originating from 24 fps film, such as DVD movies
- Frame rate conversion from 50Hz up to 60Hz (PAL), or 60Hz up to 60Hz(NTSC)
- Vertical temporal filter(VT) removes jaggy and other deinterlacing artifacts from normal video
- OSD menu with adjustable control on Color, Detail, Brightness, Contrast and Hue(NTSC)
- Built-in DCTI/DLTI circuit for color/luminance transient improvement
- Last memory for all adjustments
- RS-232 interface allows remote control from PC

- Professional universal scaler/deinterlacer for CV, SV, YCbCr/YPbPr and PC inputs
- All inputs can be scaled up to output resolution as below:
 - PC output : 640x 480, 800x 600 (SVGA), 1024 x768 (XGA), 1280 x 1024(SXGA), 848x480(WVGA), 1280x768(WXGA), 1360x768, 1600x1200(UXGA)
- Automatically accommodates input video systems of NTSC 3.58 and PAL
- High performance adaptive 3D Comb filter Y/C separator
- Per-pixel motion compensated deinterlacing algorithms to produce artifact-free progressive scan video signal
- Built in Adaptive film mode 3:2 pull-down provides clear and crisp de-interlacing of video originating from 24 fps film, such as DVD movies
- Frame rate conversion from 50Hz up to 60Hz (PAL), or 60Hz up to 60Hz(NTSC)
- Vertical temporal filter(VT) removes jaggy and other de-interlacing artifacts from normal video
- OSD menu with adjustable control on Color, Detail, Brightness, Contrast and Hue(NTSC)
- Built-in DCTI/DLTI circuit for color/luminance transient improvement
- Last memory for all adjustments
- RS-232 interface allows remote control from PC

P/N	Input Interface	Output Interface	Upscaling TV Resolution	Upscaling PC Resolution	Downscaling TV Resolution	Downscaling PC Resolution	Frame Rate Conversion	HDCP
CSC-210	PC/Component/CV/SV	PC	-	UXGA@60	-	VGA@60	50 to 60	-
CSC-220	PC/Component/CV/SV	PC/Component	1080i@60	SXGA@60	480p/576p	VGA@60	50 to 60	-

DVI to Component Video Scaler up to 1080p

CP-292

This scaler Box is designed to upscale DVI-I input sources to HD output of wide-range HDTV resolutions. This unit has a comprehensive OSD menu that allows users to select a variety of output resolutions and adjust for the best picture quality.



- DVI 1.0 compliant
- Scales PC/HD resolutions to HD (480i ~ 1080p) resolutions
- Input 480i to 1080p, VGA(60-85Hz) to WUXGA(60Hz) 1920x1200
- Provides output picture adjustment on contrast, brightness, hue, saturation sharpness, RGB (color tone) level and aspect ratio size

PC/Component Video Scaler up to 1080p/WUXGA

CP-291

This Scaler Box is designed to upscale PC/HD input sources to PC/HD output of wide-range PC/HD resolutions; This unit has a comprehensive OSD menu that allows users to select a variety of output resolutions and adjust for the best picture quality.



- Scales any PC/HD resolutions to PC (VGA ~ WUXGA)/ HD (480i ~1080p) resolutions
- Provides output picture adjustment on contrast, brightness, hue, saturation, sharpness, RGB (color tone) level and aspect ratio size
- Supports YPbPr/RGBHV input/output

P/N	Input Interface	Output Interface	Upscaling TV Resolution	Upscaling PC Resolution	Downscaling TV Resolution	Downscaling PC Resolution	Frame Rate Conversion	HDCP
CP-292	DVI-I	Component	1080p@50/60	-	480i/576i	-	50/60	-
CP-291	PC/Component	PC/Component	1080p@50/60	WUXGA@60 (RB)	480i/576i	VGA@60	50/60	-

Video to PC/Component Video Scaler up to 1080i/SXGA

CM-347ST

- Video inputs are 3D de-interlaced and scaled up to PC or HDTV output resolution
- Automatically accommodates worldwide input video systems of NTSC 3.58, NTSC 4.43, PAL, PAL M, PAL N, and SECAM
- High performance adaptive digital 4H Comb filter Y/C separator with adjustable vertical peaking
- Motion compensated deinterlacing algorithms to produce artifact-free progressive scan video signal
- Built in adaptive film mode 3:2 / 2:2 pull-down provides clear and crisp de-interlacing of video originating from 24 fps film, such as DVD movies
- Frame rate up conversion from 50 Hz up to 85 Hz
- Vertical temporal filter(VT) removes jaggy and other de-



- interlacing artifacts from normal video
- OSD menu with adjustable control on Color, Sharpness, Brightness, Contrast and Tint(NTSC)
- Last memory for all adjustments

P/N	Input Interface	Output Interface	Upscaling TV Resolution	Upscaling PC Resolution	Downscaling TV Resolution	Downscaling PC Resolution	Frame Rate Conversion	HDCP
CM-347ST	Component/CV/SV	PC/Component	1080i@50/60 (Pseudo)	SXGA@60	480p/576p	VGA@60	50/60	-

DVI to VGA Scaler

CP-253



- This unit is a high performance PC/HDTV two-way scaler that accepts Digital DVI-D input and converts to Analog RGB output
- The input to the CP-253 is digital PC or HDTV signal in the format of either RGBHV or YPbPr/YCbCr data bitstream via 24-pin DVI connector
- The output of the CP-253 is Analog PC or HDTV signal in the format Analog RGBHV or YPbPr via a HD-15 VGA connector
- The input resolution is automatically detected while the output resolution and refresh rate can be selected through OSD menu and front panel push buttons
- 48 MB frame memory for frame rate conversion
- Output picture adjustment on brightness, Contrast, Color and H-V position

PC/HDTV 2-Way Scaler

CP-251F



- PC or HDTV input resolutions can be scaled up or scaled down to any other PC or HDTV resolution, along with its frame rate converted to a selectable frequency
- 48 MB frame memory for frame rate conversion
- Signal format conversion between RGBHV and YPbPr
- Input: PC (VGA/SVGA/XGA/SXGA)+HDTV (480i/576i/480p/567p/720p/1080i)
- Output: PC (VGA/SVGA/XGA/SXGA)+HDTV (480p/576p/720p/1080i)
- Input Setup allows for fine-tuning the output picture to a best condition through the adjustment of ADC sampling clock, and phase
- Input mode auto detection
- Easy-to-use push buttons and OSD menu control

P/N	Input Interface	Output Interface	Upscaling TV Resolution	Upscaling PC Resolution	Downscaling TV Resolution	Downscaling PC Resolution	Frame Rate Conversion	HDCP
CP-253	DVI-D	PC/Component	1080i@50/60 (Pseudo)	SXGA@75	480i/576i	VGA@60	50/60	-
CP-251F	PC/Component	PC/Component	1080i@50/60 (Pseudo)	SXGA@75	480i/576i	VGA@60	50/60	-

CV/SV to PC/Component Video Scaler up to 1080p/UXGA

CM-398M

This economical Video to PC converter box that can convert CV/SV (NTSC or PAL system) to supported PC resolution like XGA to UXGA or HD resolutions of 480p to 1080p. With frame rate conversion feature that allows users to view DVD, VCR or Game sources on the PC monitor, this device also has an On-Screen Display that allows users to easily select their desired output resolution.



- Operates in NTSC 3.58MHz and PAL system
- Can scale CV/SV to PC or Component format
- PC output resolution XGA, SXGA, UXGA
- Component output resolution 480p/576p, 720p, 1080p
- 3D (frame based) motion adaptive YNR/CNR noise reduction
- Advance 3D motion adaptive de-interlace
- Automatic 2:2 & 3:2 film mode detection
- 50 to 60 Hz frame rate conversion
- Play video games on your VGA monitors
- High-resolution output picture

P/N	Input Interface	Output Interface	Upscaling TV Resolution	Upscaling PC Resolution	Downscaling TV Resolution	Downscaling PC Resolution	Frame Rate Conversion	HDCP
CM-398M	CV/SV	PC/Component	1080p@50/60	UXGA@60	-	-	50 to 60	-

Down Scaler

HDMI to CV/SV Scaler with HDMI Bypass Output

CM-388M

The CM-388M is designed to convert the digital signal from HDMI (or DVI + Coaxial) source to an analog NTSC or PAL signal, with L/R stereo audio. As well as S-Video and Composite Video outputs, it also provides an HDMI bypass output to send S/PDIF digital audio to an amplifier. The unit provides a convenient method of converting non-HDCP high definition content to standard 480i or 576i resolutions for DVR or VCR recorders.

- HDMI, HDCP 1.1 and DVI 1.0 compliant
- Converts video signal from HDMI source to NTSC or PAL signal (selectable)
- Converts digital audio from HDMI source to analog stereo audio
- Accepts a wide range of HDTV input resolutions, from 480i to 1080p@60 Hz and PC from VGA@60 Hz to WUXGA@60 Hz (RB)
- Supports Coaxial input audio sample rate 44.1 kHz, 48 kHz and 96 kHz



P/N	Input Interface	Output Interface	Upscaling TV Resolution	Upscaling PC Resolution	Downscaling TV Resolution	Downscaling PC Resolution	Frame Rate Conversion	HDCP
CM-388M	HDMI	CV/SV/ HDMI (Bypass)	-	-	NTSC/PAL	-	50/60	-

HDMI to CV/SV Scaler with HDMI Bypass Output

CM-388N

The CM-388N is designed to convert the digital signal from HDMI (or DVI) source to analog signal of NTSC or PAL system, with L/R stereo audio. As well as S-Video and Composite video outputs, it also provides an HDMI bypass output to deliver the original signal, and a Coaxial output to send S/PDIF digital audio to an amplifier. Not only these, the device also has manual selection of underscan and overscan on output image to ensure the screen best fit for viewer's pleasantation. And, the model has a special Apple Mode switch which allows user to use Apple TV or other Apple devices as source equipment.

- HDMI, HDCP and DVI compliant
- Converts video signal from HDMI source to NTSC or PAL signal (selectable)
- Converts digital audio from HDMI source to analog stereo audio
- Accepts a wide range of HDTV input resolutions, from 480i to 1080p@60Hz and PC from VGA@60Hz to WUXGA@60Hz (RB)
- Supports Coaxial input audio sample rate 44.1 kHz, 48 kHz and 96 kHz
- Output image overscan or underscan switch ensure best fit on screen
- Apple Mode switch guarantees the use of Apple devices

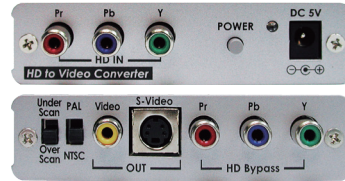


P/N	Input Interface	Output Interface	Upscaling TV Resolution	Upscaling PC Resolution	Downscaling TV Resolution	Downscaling PC Resolution	Frame Rate Conversion	HDCP
CM-388N	HDMI	CV/SV/ HDMI (Bypass)	-	-	NTSC/PAL	-	50/60	-

Component Video to CV/SV Scaler with Component Bypass Output CPT-387HD

The CPT-387HD is designed to convert a variety of analog component images, from 480p up to 1080p and can convert them to NTSC or PAL standards video with an additional HD bypass output. Users can also adjust the Overscan/Underscan of the output image. It is ideal for applications like video conferencing, home theater, business presentation, lecturing room etc. where both the original HD and the converted SD signals are required.

- Supports high resolution HD input from 480p up to 1080p
- Supports component (YPbPr) input and downscaling to Composite video/S-video output or HD bypass for simultaneous display output
- Switch easily between NTSC/PAL systems
- Auto-phase adjustment to ensure better image display
- Image Overscan/Underscan selection
- Easy to install and operate



P/N	Input Interface	Output Interface	Upscaling TV Resolution	Upscaling PC Resolution	Downscaling TV Resolution	Downscaling PC Resolution	Frame Rate Conversion	HDCP
CPT-387HD	Component	CV/SV/ Component (Bypass)	-	-	NTSC/PAL	-	50/60	-

PC to CV/SV Scaler CPT-385AM

The PC to Video scan converter box is designed to convert a variety of analog computer images, from VGA to WUXGA, to interlaced NTSC or PAL video. With frame rate conversion and Overscan/Underscan features that allows users to view PC source on the Composite and S-Video monitor without image cutting off.

- Automatically detects and down converts the incoming PC images to NTSC or PAL
- Support high resolution PC input timing from VGA to WUXGA
- Scale down PC video to Composite/S-Video
- Switch between NTSC/PAL
- Image Overscan/Underscan selection
- Supports ADC conversion



P/N	Input Interface	Output Interface	Upscaling TV Resolution	Upscaling PC Resolution	Downscaling TV Resolution	Downscaling PC Resolution	Frame Rate Conversion	HDCP
CPT-385AM	PC	CV/SV	-	-	NTSC/PAL	-	50/60	-

HDMI to CV Scaler

CV-401H

The HDMI to Video Scan Converter is designed to convert a digital signal from HDMI source to analog NTSC or PAL signal, with additional L/R stereo audio output. This device allows the user to convert high definition video to standard resolution (480i or 576i) composite (CVBS) format.

The device has many great features such as motion adaptive 3-D de-interlacing, 3D noise reduction, frame rate conversion, adaptive contrast enhancement and more. It also has a simple on-screen display (OSD) menu that allows the user to access the display status including input/output information.

Note: This device does not convert HDCP. When receiving content that has HDCP encryption there will be no video output.

- Converts an HDMI video signal to NTSC/PAL
- Converts HDMI digital audio to analog stereo audio
- Accepts 480i to 1080p (HDTV) and VGA to WUXGA@60 Hz (PC) resolutions
- Output picture can be set to 'Underscan' or 'Overscan'
- Motion adaptive 3-D de-interlacing with pixel-by-pixel motion adaptive interpolation
- 3D noise reduction in both temporal and spatial domain
- Frame rate conversion with a arbitrary conversion ratio
- Adaptive contrast enhancement



P/N	Input Interface	Output Interface	Upscaling TV Resolution	Upscaling PC Resolution	Downscaling TV Resolution	Downscaling PC Resolution	Frame Rate Conversion	HDCP
CV-401H	HDMI	CV	-	-	NTSC/PAL	-	50/60	-

DVI to CV Scaler

CV-401D

The DVI to Video Scan Converter is designed to convert the digital video signal from DVI-D sources to analog composite (CVBS) signal (NTSC or PAL). It has many great features such like 3D noise reduction, frame rate conversion, adaptive contrast enhancement and many more. It also has a simple on-screen display (OSD) menu that allows the user to access the display status including input/output information.

Note: This device does not convert HDCP. When receiving content that has HDCP encryption there will be no video output.

- Converts video signal from DVI-D source to NTSC/PAL composite (CVBS) signal
- Accepts 480p to 1080p@60 Hz (DVI-D) and VGA to WUXGA@60 Hz (PC) resolutions
- 3D noise reduction in both the temporal and spatial domain
- Frame rate conversion
- Adaptive contrast enhancement
- OSD display
- Overscan and underscan adjustment
- Phase and Aspect adjustment
- No software installation required
- Compact and elegant design



P/N	Input Interface	Output Interface	Upscaling TV Resolution	Upscaling PC Resolution	Downscaling TV Resolution	Downscaling PC Resolution	Frame Rate Conversion	HDCP
CV-401D	DVI-D	CV	-	-	NTSC/PAL	-	50/60	-

PC/Component Video to CV Scaler

CV-401V

The PC/HD to Video Scan Converter is designed to down-scale PC/Component source to analog CVBS (NTSC,PAL) signal. Ideal for businesses with multiple CCTV cameras, this device takes your high-resolution camera footage and scales it to lower resolutions.

Supporting PC resolutions up to WUXGA@60 Hz, this scaler can also connect new video sources to older displays. The device has many great features such as 3D noise reduction, frame rate conversion, adaptive contrast enhancement and many more. It also has a simple on-screen display (OSD) menu that allows the user to access the display status including input/output information.

Note: The converter do NOT support the following conversion:

- Interlace source signal conversion between 50/60 Hz
- 480i and 1080i@60 to PAL frame rate conversion
- 576i and 1080i@50 to NTSC frame rate conversion

- Accepts 480i to 1080p@60 Hz (Component) and VGA to WUXGA@60 Hz (PC) resolutions
- 3D noise reduction in both temporal and spatial domain
- Frame rate conversion and adaptive contrast enhancement

- OSD display
- Overscan and underscan adjustment
- Phase and Aspect adjustment
- No software installation required
- Compact and elegant design



P/N	Input Interface	Output Interface	Upscaling TV Resolution	Upscaling PC Resolution	Downscaling TV Resolution	Downscaling PC Resolution	Frame Rate Conversion	HDCP
CV-401V	PC/Component	CV	-	-	NTSC/PAL	-	50/60	-

HDMI to CV Scaler

CV-400H

The HDMI to CVBS Converter is designed to convert digital signal from HDMI source to analog signal of NTSC or PAL system, with L/R stereo audio. This device provides a convenient application that allows the users to store high definition movie in a standard resolutions of 480i or 576i on DVR or VCR machine. The device features many great functions such like 3D noise reduction, frame rate conversion, adaptive contrast enhancement etc. Further, a simplify OSD function is available allowing user with easy viewing on the displaying status.

Note: This device does not convert HDCP. When receiving content that has HDCP encryption there will be no video output.

- Converts video signal from HDMI source to NTSC or PAL signal
- Converts digital audio from HDMI source to analog stereo audio
- Accepts a wide range of HDTV input resolutions, from 480p to 720p@60Hz and PC from VGA@60Hz to WXGA@60Hz

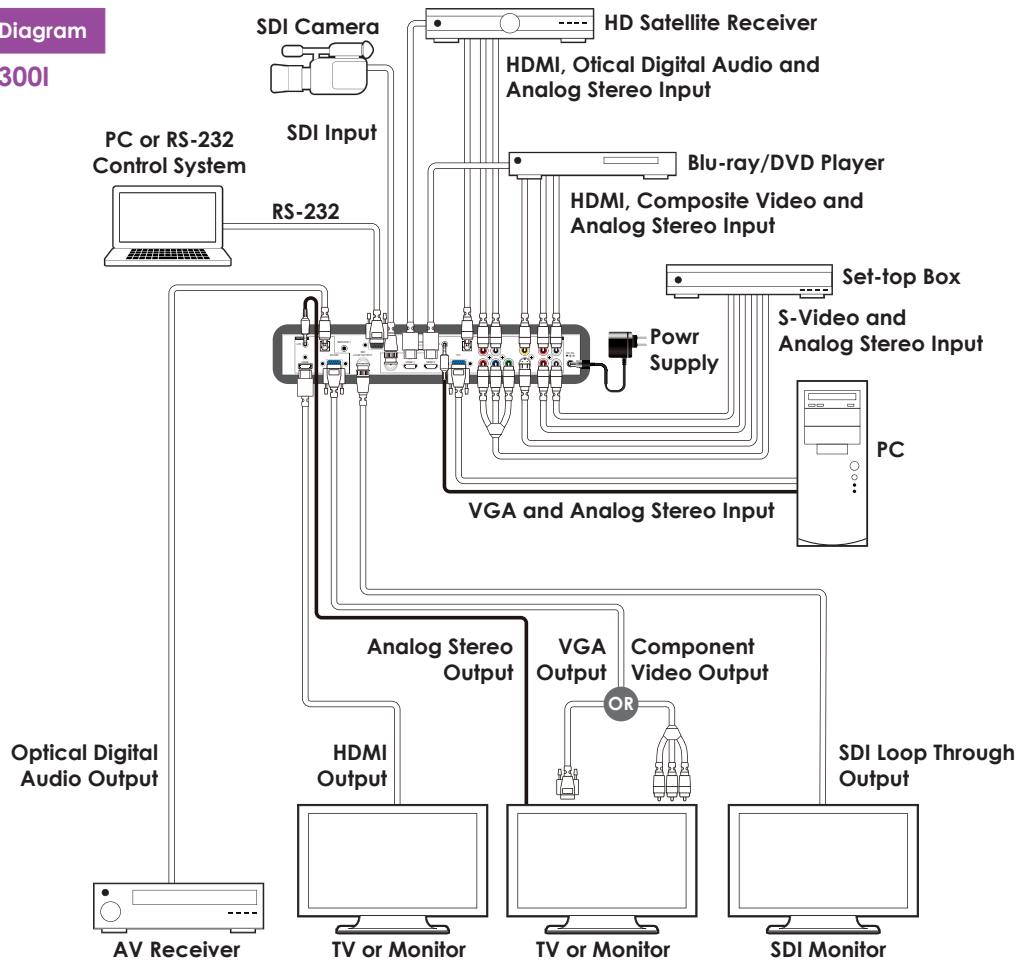
- Output picture size Underscan/Overscan
- 3D noise reduction in both temporal and spatial domain
- Frame rate conversion with arbitrary adaptive contrast enhancement



P/N	Input Interface	Output Interface	Upscaling TV Resolution	Upscaling PC Resolution	Downscaling TV Resolution	Downscaling PC Resolution	Frame Rate Conversion	HDCP
CV-400H	HDMI	CV	-	-	NTSC/PAL	-	50/60	-

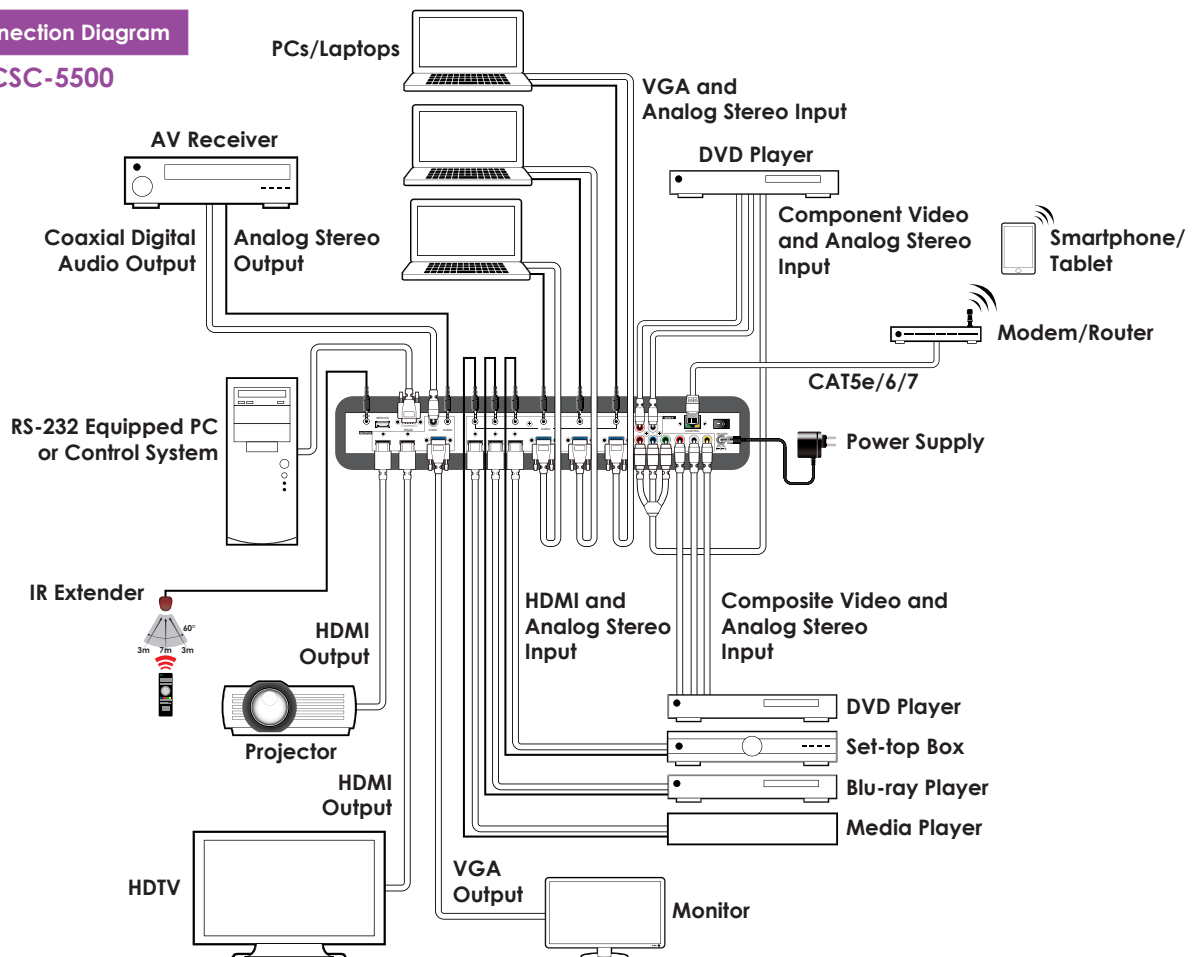
Connection Diagram

► **CSLUX-3001**



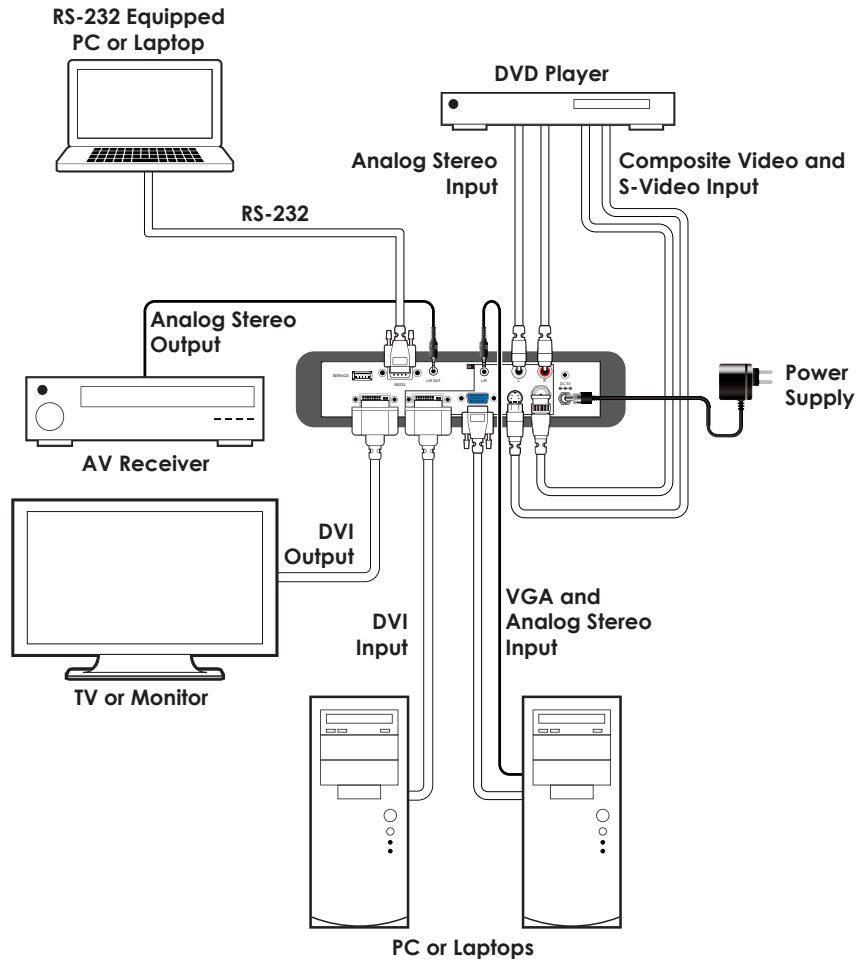
Connection Diagram

► **CSC-5500**



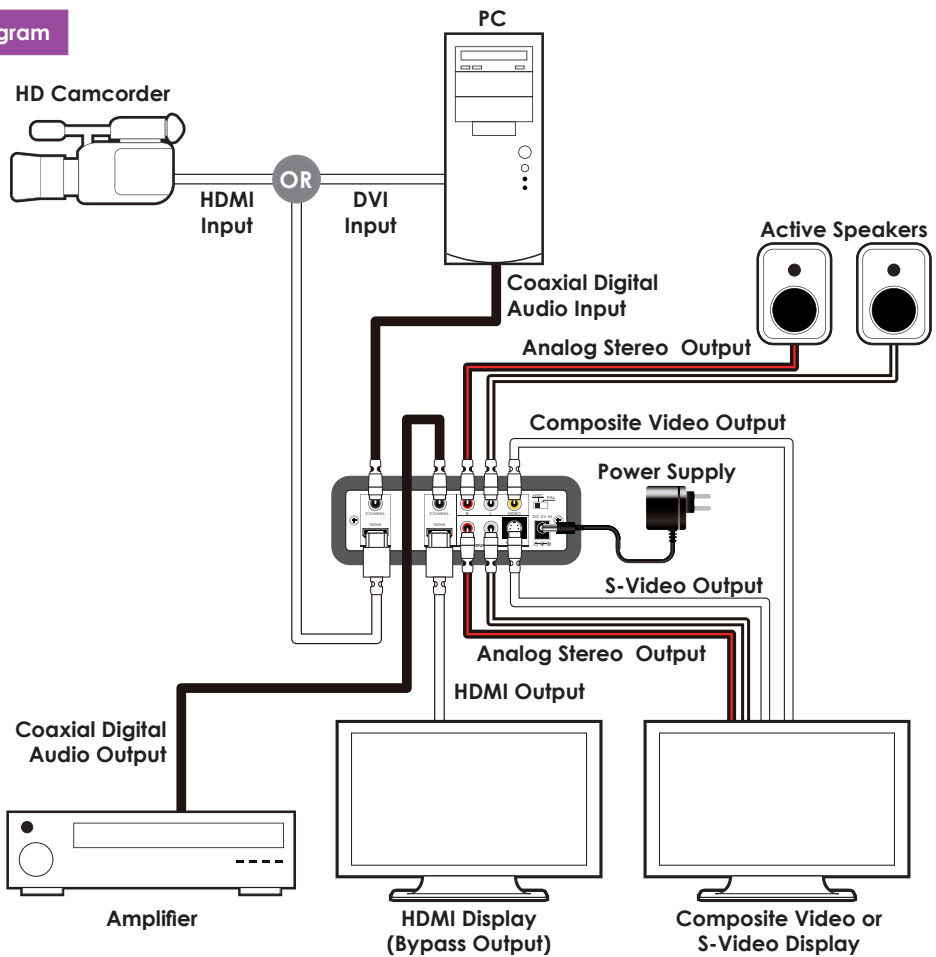
Connection Diagram

► CP-255ID



Connection Diagram

► CM-388M



Video Format Converter

HDMI to Dual SDI Converter with Audio

CLUX-H2SDI

The HDMI to SDI Converter allows HDMI signals to be shown on two SDI displays while ensuring high bit rates of 2.970 Gbit/s to give you high resolution signal without any loss. For professionals this means that it is now easier to convert your high def HDMI signal with audio to SDI for long distance transmission and display your work on two SDI displays. Also, a 2CH L/R audio input allows DVI signal with 2CH audio to be converted to SDI in order to be shown on SDI displays. Furthermore, the device has a built-in default EDID and a recordable EDID that guarantee image display compatibility with source equipment.



- Shows HDMI source on two SDI displays simultaneously
- SDI interface operates at bitrates of 2.970 Gbit/s, 2.970/1.001 Gbit/s, 1.485 Gbit/s, 1.485/1.001 Gbit/s and 270 Mb/s
- Supports SDI output distance up to 100M (3G-SDI), 200M (HD-SDI), or 300M (SD-SDI)
- Converts HDMI signal to SDI:
 - 480i/576i→SD-SDI (SMPTE 259M-C, at bitrates of 270 Mbit/s)
 - 720p/1080i→HD-SDI (SMPTE 292M, at bitrates of 1.485 Gbit/s or 1.485/1.001 Gbit/s)
 - 1080p→3G-SDI (SMPTE 424M/425M-AB, at bitrates of 2.970 Gbit/s and 2.970/1.001 Gbit/s)
- Supports HDMI input timings: 480i, 576i, 720p@50/59.94/60, 1080i@50/59.94/60, 1080p@23.98/24/25/29.97/30/50/59.94/60
- Choose between a selectable EDID and recordable EDID
- Integrated audio embedded up to 8CH PCM 48kHz for HDMI or 2CH (external L/R) for DVI input

P/N	Input Interface	Output Interface	Input	Output	Supported TV Timings	Supported PC Timings	External Audio	Extender Cable
CLUX-H2SDI	HDMI	SDI	1	2	480i ~ 1080p SD/HD/3G-SDI	VGA ~ WUXGA (RB)	Yes	N/A

SDI to HDMI/SDI Converter with Audio

CLUX-SDI2HC

The SDI to HDMI Converter allows SD, HD and 3G-SDI signals to be shown on HDMI display. This means that it is now easier for professionals to distribute and extend their SDI signal while giving the ability to display work on HDMI displays. Furthermore, thanks to S/PDIF (through HDMI) and L/R audio outputs users can output audio in both digital and analog formats while the loop-through 3G-SDI design benefits users by letting them simultaneous show content on both SDI and HDMI displays.



- Supports SD-SDI, HD-SDI and 3G-SDI input signals with auto-detection
- Supports HDMI and SDI (bypass) output simultaneously
- SDI interface operates at bitrates of 2.970 Gbit/s, 2.970/1.001 Gbit/s, 1.485 Gbit/s, 1.485/1.001 Gbit/s and 270 Mb/s
- Supports SDI input/output distance up to 100M (3G-SDI), 200M (HD-SDI), or 300M (SD-SDI)
- Converts SDI signal to HDMI:
 - SD-SDI (SMPTE 259M-C)→480i/576i
 - HD-SDI (SMPTE 292M)→720p@50/59.94/60, 1080i@50/59.94/60
 - 3G-SDI (SMPTE 424M/425M-AB)→1080p@23.98/24/25/29.97/30/50/59.94/60, 1080psF@23.98/24/25/29.97/30
- Supports SDI input modes:
 - SD-SDI (SMPTE 259M-C, at bitrates of 270 Mbit/s)
 - HD-SDI (SMPTE 292M, at bitrates of 1.485 Gbit/s and 1.485/1.001 Gbit/s)
 - 3G-SDI (SMPTE 424M/425M-AB, at bitrates of 2.970 Gbit/s and 2.970/1.001 Gbit/s)
- Equalized and re-clocked loop output
- Alternative audio output to S/PDIF (through HDMI) and Analog 2CH (through L/R)
- Integrated audio de-embedder for up to 8 channels of 48 kHz audio

P/N	Input Interface	Output Interface	Input	Output	Supported TV Timings	Supported PC Timings	External Audio	Extender Cable
CLUX-SDI2HC	SDI	HDMI/SDI	1	1/1	480i ~ 1080p SD/HD/3G-SDI	VGA ~ WUXGA (RB)	Yes	N/A

HDMI to SDI Converter with Audio

CLUX-H2SDIA

The HDMI to SDI Converter allows HDMI signals to be shown on SDI display while ensuring high bit rates of 2.970 Gbit/s to give you high resolution signal without any loss. For professionals this means that it is now easier to convert your high def HDMI signal with audio to SDI for long distance transmission and display your work on SDI display. In addition, the external audio input allows the user to insert the sound from a different audio source instead of the HDMI embedded audio, and send to the SDI output.



- Shows HDMI source on SDI display
- SDI interface operates at bitrates of 2.970 Gbit/s, 2.970/1.001 Gbit/s, 1.485 Gbit/s, 1.485/1.001 Gbit/s and 270 Mb/s
- Supports SDI output distance up to 100M (3G-SDI), 200M (HD-SDI), or 300M (SD-SDI)
- Converts HDMI signal to SDI:
 - 480i/576i → SD-SDI (SMPTE 259M-C, at bitrates of 270 Mbit/s)
 - 720p/1080i → HD-SDI (SMPTE 292M, at bitrates of 1.485 Gbit/s or 1.485/1.001 Gbit/s)
 - 1080p → 3G-SDI (SMPTE 424M/425M-AB, at bitrates of 2.970 Gbit/s and 2.970/1.001 Gbit/s)
- Supports HDMI input timings: 480i, 576i, 720p@50/59.94/60, 1080i@50/59.94/60, 1080p@23.98/24/25/29.97/30/50/59.94/60

P/N	Input Interface	Output Interface	Input	Output	Supported TV Timings	Supported PC Timings	External Audio	Extender Cable
CLUX-H2SDIA	HDMI	SDI	1	1	480i ~ 1080p SD/HD/3G-SDI	VGA ~ WUXGA (RB)	Yes	N/A

SDI to HDMI Converter with Audio

CLUX-SDI2HCA

The SDI to HDMI Converter allows SD, HD and 3G-SDI signals to be shown on HDMI display. This means that it is now easier for professionals to distribute and extend their SDI signal while giving the ability to display work on HDMI displays. In addition, the external audio output allows the user to send the audio signal originally embedded in the SDI input to an amplifier or active speakers.



- Supports SD-SDI, HD-SDI and 3G-SDI input signals with auto-detection
- Shows SDI source on HDMI display
- SDI interface operates at bitrates of 2.970 Gbit/s, 2.970/1.001 Gbit/s, 1.485 Gbit/s, 1.485/1.001 Gbit/s and 270 Mb/s
- Supports SDI input distance up to 100M (3G-SDI), 200M (HD-SDI), or 300M (SD-SDI)
- Converts SDI signal to HDMI:
 - SD-SDI (SMPTE 259M-C) → 480i/576i
 - HD-SDI (SMPTE 292M) → 720p@50/59.94/60, 1080i@50/59.94/60
 - 3G-SDI (SMPTE 424M/425M-AB) → 1080p@23.98/24/25/29.97/30/50/59.94/60, 1080psF@23.98/24/25/29.97/30
- Supports SDI input modes:
 - SD-SDI (SMPTE 259M-C, at bitrates of 270 Mbit/s)
 - HD-SDI (SMPTE 292M, at bitrates of 1.485 Gbit/s and 1.485/1.001 Gbit/s)
 - 3G-SDI (SMPTE 424M/425M-AB, at bitrates of 2.970 Gbit/s and 2.970/1.001 Gbit/s)

P/N	Input Interface	Output Interface	Input	Output	Supported TV Timings	Supported PC Timings	External Audio	Extender Cable
CLUX-SDI2HCA	SDI	HDMI	1	1	480i ~ 1080p SD/HD/3G-SDI	VGA ~ WUXGA (RB)	Yes	N/A

DVI to SDI Converter with Audio

CLUX-DVI2SDIA

The DVI to SDI Converter allows DVI-D signals to be shown on SDI display while ensuring high bit rates of 2.970 Gbit/s to give you high resolution signal without any loss. For professionals this means that it is now easier to convert your high def DVI signal with audio to SDI for long distance transmission and display your work on SDI display. In addition, the external audio input allows the user to insert the sound from a different audio source instead of the DVI embedded audio, and send to the SDI output.



- Shows DVI source on SDI display
- SDI interface operates at bitrates of 2.970 Gbit/s, 2.970/1.001 Gbit/s, 1.485 Gbit/s, 1.485/1.001 Gbit/s and 270 Mb/s
- Supports SDI output distance up to 100M (3G-SDI), 200M (HD-SDI), or 300M (SD-SDI)
- Converts DVI signal to SDI:
 - 480i/576i→SD-SDI (SMPTE 259M-C, at bitrates of 270 Mbit/s)
 - 720p/1080i→HD-SDI (SMPTE 292M, at bitrates of 1.485 Gbit/s or 1.485/1.001 Gbit/s)
 - 1080p→3G-SDI (SMPTE 424M/425M-AB, at bitrates of 2.970 Gbit/s and 2.970/1.001 Gbit/s)
- Supports DVI input timings: 480i, 576i, 720p@50/59.94/60, 1080i@50/59.94/60, 1080p@23.98/24/25/29.97/30/50/59.94/60

P/N	Input Interface	Output Interface	Input	Output	Supported TV Timings	Supported PC Timings	External Audio	Extender Cable
CLUX-DVI2SDIA	DVI	SDI	1	1	480i ~ 1080p SD/HD/3G-SDI	VGA ~ WUXGA (RB)	Yes	N/A

SDI to DVI Converter with Audio

CLUX-SDI2DVIA

The SDI to DVI Converter allows SD, HD and 3G-SDI signals to be shown on DVI display. This means that it is now easier for professionals to distribute and extend their SDI signal while giving the ability to display work on DVI display. Additionally, the built-in stereo Audio Out will allow the user to enjoy perfectly synchronized video and audio.



- Supports SD-SDI, HD-SDI and 3G-SDI input signals with auto-detection
- Shows SDI source on DVI display
- SDI interface operates at bitrates of 2.970 Gbit/s, 2.970/1.001 Gbit/s, 1.485 Gbit/s, 1.485/1.001 Gbit/s and 270 Mb/s
- Supports SDI input distance up to 100M (3G-SDI), 200M (HD-SDI), or 300M (SD-SDI)
- Converts SDI signal to HDMI:
 - SD-SDI (SMPTE 259M-C)→480i/576i
 - HD-SDI (SMPTE 292M)→720p@50/59.94/60, 1080i@50/59.94/60
 - 3G-SDI (SMPTE 424M/425M-AB)→1080p@23.98/24/25/29.97/30/50/59.94/60, 1080psF@23.98/24/25/29.97/30
- Supports SDI input modes:
 - SD-SDI (SMPTE 259M-C, at bitrates of 270 Mbit/s)
 - HD-SDI (SMPTE 292M, at bitrates of 1.485 Gbit/s and 1.485/1.001 Gbit/s)
 - 3G-SDI (SMPTE 424M/425M-AB, at bitrates of 2.970 Gbit/s and 2.970/1.001 Gbit/s)

P/N	Input Interface	Output Interface	Input	Output	Supported TV Timings	Supported PC Timings	External Audio	Extender Cable
CLUX-SDI2DVIA	SDI	DVI	1	1	480i ~ 1080p SD/HD/3G-SDI	VGA ~ WUXGA (RB)	Yes	N/A

Mini DisplayPort to Dual-Link DVI/HDMI Converter

CMDP-DL2DVI



The Mini DisplayPort converter is specifically designed to allow Mini DisplayPort source to display on the Dual Link DVI display. Supporting resolutions up to 2560×1600 and ideal for display Mac sources on DVI monitor, this device is powered by USB connection which makes it more convenient to power.

- Compliance with DisplayPort Specification V1.1a at 1.62/2.7Gbps data rate (Low bit rate/High bit rate)
- Input/output support up to WQXGA (2560×1600@60RB) VESA display format
- Easy to install and simple to operate
- No software installation
- Compact size with elegant design

CMDPH-2C



Having MAC /PC/Notebook to display on an HDTV or monitor may become easy with Mini DisplayPort to HDMI Converter. It allows users to do so by simple connection with built-in USB power cable. This device is HDMI (with Deep Color Video) & HDCP v1.1 compliant and is capable of high speed data transfer with speed up to 2.7Gbps per lane. Without the need to install any software, its fantastic performance and USB power connection is a must for MAC /PC/Notebook users.

- Supports up to 1080p 50/60 & WUXGA
- Supports pixel component format with RGB: YCbCr422: YCbCr444
- Supports bit depth per color with 8/10/12 bits
- Support USB 2CH, LPCM 48K 24 bits
- Bi-direction Color Space Conversion (CSC) between RGB and YCbCr
- Dithering for conversion from 12 bits component to 10/8 bits
- Automatic audio error detection with soft mute function, preventing annoying harsh output sound due to audio error or hot-unplug
- Automatic loss of signal detection for link management

P/N	Input Interface	Output Interface	Input	Output	EDID	HDCP	Max. Resolution
CMDP-DL2DVI	Mini DisplayPort	DVI DL	1	1	-	-	WQXGA (RB)
CMDPH-2C	Mini DisplayPort	HDMI	1	1	-	-	1080p@60, WUXGA (RB)

DisplayPort to HDMI Converter

CDPH-1P

The DisplayPort to HDMI Converter provides digital signal conversion from DisplayPort to HDMI interface, utilizing 'DisplayPort to HDMI Level Shifter' technology this model is able to output TMDS signal fully compatible with HDMI, and so makes it the best solution to show DisplayPort content on HDTV / HDMI monitor.

- HDMI and DVI 1.0 compliant
- Supports DVI monitor if an HDMI to DVI adaptor is used
- Runs without the need to install any software
- Supports audio sampling rate up to 48 kHz



P/N	Input Interface	Output Interface	Input	Output	EDID	HDCP	Max. Resolution
CDPH-1P	DisplayPort	HDMI	1	1	-	-	1080p@60, WUXGA (RB)

HDMI to DVI Converter with Audio CP-267S



The CP-267S is designed to convert video and audio signals from HDMI sources into DVI/Coaxial audio output. Allowing you to connect HDMI sources to a display with DVI input while at the same time extracting audio signals from the same source to an audio receiver, this converter does not dissappoint.

The HDMI converter box also amplifies and equalizes incoming TMDS data before re-transmitting it in optimal quality regardless of its original signal strength. Now if you connect this converters output to an HDMI device, with a DVI to HDMI cable or adapter, this can then be utilized as an HDMI repeater, making the HDMI to DVI + SPDIF converter an essential tool for those who need to convert video and audio signals into DVI/Coaxial audio output.

- HDMI 1.2, HDCP 1.1 and DVI 1.0 compliant
- HDMI input and DVI (or HDMI, using proper cable/ adapter) with Coaxial output
- Automatically detects the input format between digital RGB and YPbPr
- Supports input/output video resolutions up to UXGA (PC) or 1080p@60Hz (HDTV)
- Supports input/output of digital audio signals like LPCM, Dolby Digital or DTS
- HDMI signal amplification and equalization supported.
- Easy to install and operate

DVI to HDMI Converter with Audio CP-268S



The CP-268S is designed to convert DVI/Coaxial signals into HDMI output. It enables us to connect DVI and digital audio sources to an HDMI display. This device also amplifies and equalizes incoming TMDS data before re-transmitting it in optimal quality regardless of its original signal quality.

- HDMI 1.2, HDCP 1.1 and DVI 1.0 compliant
- Supports DVI/Coaxial input and HDMI output
- Automatic detection of input format: Digital RGB or YPbPr
- Coaxial inputs support LPCM 2CH, Dolby Digital 5.1CH and DTS 5.1CH digital audio
- Fully HDCP compliant
- Operational Frequency of: 165MHz
- Frequency Bandwidth of: 1.65Gbps (single link)
- Supported audio sampling frequencies include: 32, 44.1 and 48kHz
- Supports PC high resolution input/output: VGA@60/72/75/85Hz, SVGA@60/72/75/85Hz, XGA@60/70/75/85Hz, SXGA@60/75/85Hz, UXGA@60Hz
- Supports SD/HD high resolution input/output: 480i/p@60Hz, 576i/p@50Hz, 720p@50/60Hz, 1080i@50/60Hz and 1080p@24/50/60Hz
- Easy to install and operate

P/N	Input Interface	Output Interface	Input Format	Output Format	Supported TV Timings	Supported PC Timings	External Audio	HDCP
CP-267S	HDMI	DVI	Digital RGB/YUV	AS IS	480i ~ 1080p	VGA ~ UXGA	Yes	Yes
CP-268S	DVI	HDMI	Digital RGB/YUV	AS IS	480i ~ 1080p	VGA ~ UXGA	Yes	Yes

HDMI to Component Video Format Converter with Audio CP-1283HDT

Supports HDMI input and Analog PC or SD/HD output Timing sync & resolution remains input to output Supports output selection between YPbPr and RGB Supports many input/output resolutions.

This device does not convert HDCP. When receiving content that has HDCP encryption there will be no video output.

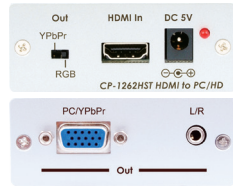
- Built-in EDID
- Output YPbPr & RGB switchable
- Can operate without external DC power supply
- Built-in Tril-level synchroniztion function



P/N	Input Interface	Output Interface	Input Format	Output Format	Supported TV Timings	Supported PC Timings	External Audio	HDCP
CP-1283HDT	HDMI	Component	Digital RGB/YUV	Analog YUV	480i ~ 1080p	-	Yes	-

HDMI to PC/Component Video Format Converter

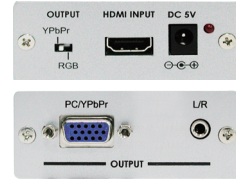
CP-1262HST



The CP-1262HST converter box is designed to convert HD signal to Analog PC or SD/HD timings. It enables to convert HDMI sources to any analog PC timing for PC monitor, Projector or TV. Its high bandwidth capability supports a wide range of PC and HDTV resolutions. The CP-1262HST do not convert HDCP. When receiving content that has HDCP encryption there will be no video output.

- Supports HDMI input and analog PC or SD/HD output
- Supports output selection between YPbPr and RGBHV
- Supports input/output resolutions up to WUXGA@60 (RB) and 1080p@60
- HDMI input support 8-bit without Deep Color support
- HDMI audio input support LPCM 2CH and sampling rate support from 32 KHz to 96 KHz
- Component output support 720p, 1080i and 1080p tri-level sync
- Audio output support stereo R/L
- Built-in EDID

CP-1262HE



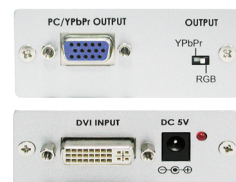
The CP-1262HE converter box converts digital HDMI to Analog PC or SD/HD output. It enables to connect the HDMI sources to the analog PC monitor, Projector or TV. Its high bandwidth capability supports a wide range of PC and HDTV resolutions. The CP-1262HE do not convert HDCP. When receiving content that has HDCP encryption there will be no video output.

- Supports HDMI input and Analog PC or SD/HD output
- Supports output selection between YPbPr and RGB
- Supports input/output resolutions up to WUXGA@60 and 1080p@50/60
- Built-in EDID

DVI to PC/Component Video Format Converter

CP-1262DE

The CP-1262DE converter box converts digital DVI-D to Analog PC/RGB or HD YPbPr output. It enables the DVI sources to connect with the analog PC monitor, Projector or TV. Its high bandwidth capability supports a wide range of PC and HDTV resolutions. The CP-1262DE do not convert HDCP. When receiving content that has HDCP encryption there will be no video output.



- Supports DVI-D input and Analog PC/RGB or HD YPbPr output
- Supports output selection between YPbPr and RGB
- Supports input/output resolutions up to WUXGA@60 and 1080p@50/60
- Built-in EDID

P/N	Input Interface	Output Interface	Input Format	Output Format	Supported TV Timings	Supported PC Timings	External Audio	HDCP
CP-1262HST	HDMI	PC/Component	Digital RGB/YUV	Analog RGB/YUV	480i ~ 1080p	VGA ~ WUXGA (RB)	Yes	-
CP-1262HE	HDMI	PC/Component	Digital RGB/YUV	Analog RGB/YUV	480i ~ 1080p	VGA ~ WUXGA (RB)	Yes	-
CP-1262DE	DVI-D	PC/Component	Digital RGB/YUV	Analog RGB/YUV	480i ~ 1080p	VGA ~ WUXGA (RB)	Yes	-

DisplayPort to VGA Converter

CDPV-1A

The DisplayPort to VGA converter receives video through its DisplayPort link and then converts to analog VGA output. It supports both DDC channel and a monitor sensing function that allows it to detect the presence of monitor. The DisplayPort to VGA converter is the best solution for transmitting DisplayPort signals to a VGA monitor.



- Compliant to DisplayPort specification 1.1a
- Supports DisplayPort 1 or 2 lanes and 1.62/2.7 Gbps data rate
- Supports resolution up to 1920*1200@60 Hz
- Triple 8-bit DACs for 24-bit VGA mode
- Plug and play without any software application

P/N	Input Interface	Output Interface	Input	Output	EDID	HDCP	Max. Resolution
CDPV-1A	DisplayPort	VGA	1	1	-	-	1080p@60, WUXGA (RB)

HDMI/PC/Component/CV/SV to HDMI Converter

CSC-5300

Looking for a way to watch all of your Analog/Digital devices on an HDMI display without having to constantly switch devices? Well this powerful PC/Video/HD to HDMI Switcher gives you the ability to convert your Analog and digital signals to HDMI output. The product is compatible to HDMI specifications, which is a cutting edge technology that defines the transfer of Deep Color (10-bit and 12-bit) video. Using the front panel or the remote control select the desired input source and sit back and relax as your media is effortlessly displayed, then switch to another source just easily. This HDMI switcher is the smart way to handle your multiple A/V sources.

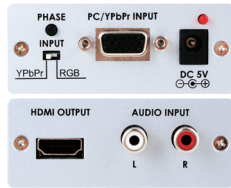


- Deep Color video up to 12bit, 1080p (24/60)Hz
- Supports analog/digital video/audio input and HDMI output
- Supports a wide range of PC and HDTV resolutions from VGA to SXGA@60Hz and 480i to 1080p
- Supports 3D comb filter and 3D noise reduction (DNR)
- Simply press a button on the front panel or remote control to convert from 480i/576i to 480p/576p
- Has an audio delay for 150ms, this feature will not function when under HDMI input
- Support IR remote control and RS-232 control

P/N	Input Interface	Output Interface	Input Format	Output Format	Supported TV Timings	Supported PC Timings	External Audio	HDCP
CSC-5300	HDMI, PC, Component, CV, SV	HDMI	Digital & Analog RGB/YUV	Digital RGB/YUV	480i ~ 1080p	VGA ~ WUXGA (RB)	Yes	Yes

PC/HD to HDMI/DVI Format Converter

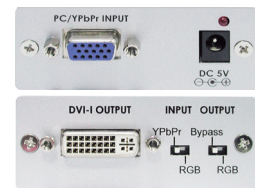
CP-1261HS



The CP-1261HS allows analog PC RGBHV or YUV signals to be converted to digital HDMI format with embedding of analog stereo audio at the same time. Connect your analog RGBHV/YUV output from a PC or Component Video source to the digital HDMI input of the latest HD ready plasma, LCD or DLP displays. Its high bandwidth capability supports a wide range of PC and HDTV resolutions. Further, its phase enhancement function allows users to freely adjust phase to stabilize image quality.

- Supports a wide range of YUV resolutions (480i~1080p)
- Supports analog audio 2CH (48kHz sampling rate)
- Supports hot plug detection
- Support YCbCr to RGB color space conversion
- Supports input format of RGBHV or YPbPr
- Supports input resolutions up to 1920×1200@60RB for PC and 1080p for HD
- Supports phase adjustment

CP-1261D



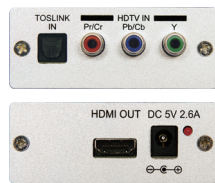
The CP-1261D can convert and upgrade your input signal from analog to digital and VGA to a DVI signal, whether your source is a RGB signal from a PC or a Component signal (through the supplied HD-15 VGA to 3 RCA cable).

- Connects computers with analog PC output or DVD Players with HD component output to digital DVI monitors or projectors
- Manual selection of analog RGB or Component (YPbPr) sources
- Manual selection of output between Bypass or digital RGB
- Supports input resolutions up to 1920×1200@60 (RB) for PC and 1920×1080p@60 Hz for HD component
- Built-in EDID management

P/N	Input Interface	Output Interface	Input Format	Output Format	Supported TV Timings	Supported PC Timings	External Audio	HDCP
CP-1261HS	PC/Component	HDMI	Analog RGB/YUV	Digital RGB/YUV	480i ~ 1080p	VGA ~ WUXGA (RB)	Yes	-
CP-1261D	PC/Component	DVI-D	Analog RGB/YUV	Digital RGB/YUV	480i ~ 1080p	VGA ~ WUXGA (RB)	Yes	-

Component Video to HDMI Format Converter with Audio

CP-280H



The CP-280H is designed to convert analog YCbCr/YPbPr and TOSLINK to digital HDMI format. It allows you to connect the YCbCr/YPbPr output from DVD or Set-Top-Box receiver to the digital HDMI input of HDTV. Its high bandwidth capability supports HDTV resolution from 480i up to 1080p.

- It enables you to connect Set-Top-Boxes or DVDs with YPbPr/YCbCr and TOSLINK output to HDMI input of HD ready plasma, LCD or DLP TV
- The input format is YCbCr/YPbPr and digital TOSLINK audio
- Supports up to 1920x1080p@60 Hz

CP-281H



The CP-281H is a YPbPr/YCbCr + Audio to HDMI Converter, which allows you to convert the YPbPr/YCbCr and digital/analog audio output from a DVD Player or Set-top-box equipment to the digital HDMI or DVI input of a HDTV display. It supports high definition input/output up to 1080p.

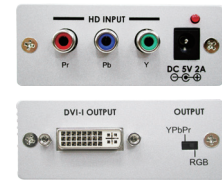
- Supports a wide range of resolutions: 480i/480p/576i/576p/720p/1080i/1080p@60Hz
- Supports digital audio input through Co-axial cable, or analog audio input through L/R audio cable

P/N	Input Interface	Output Interface	Input Format	Output Format	Supported TV Timings	Supported PC Timings	External Audio	HDCP
CP-280H	Component	HDMI	Analog YUV	Digital RGB/YUV	480i ~ 1080p	-	Yes	-
CP-281H	Component	HDMI	Analog YUV	Digital RGB/YUV	480i ~ 1080p	-	Yes	-

YPbPr to DVI Format Converter

CP-260D

The CP-260D can convert analog YPbPr signal to digital DVI. It enables you to connect the YPbPr output from video equipment to the DVI input of the monitors or projectors. Its high bandwidth capability supports a wide range of PC and HDTV resolution.

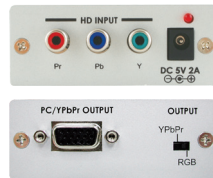


- Output format is selectable between RGB and YPbPr
- Support up to 1600x1200@60 for PC input
- Support 1920x1080p@60 for HD input
- Supports DDWG standard for DVI compliant monitors

P/N	Input Interface	Output Interface	Input Format	Output Format	Supported TV Timings	Supported PC Timings	External Audio	HDCP
CP-260D	Component	DVI-I	Analog RGB/YUV	Digital RGB/YUV	480i ~ 1080p	VGA ~ UXGA	-	-

YPbPr to RGBHV Format Converter

CP-265



The CP-265 is a plug-n-play component (YPbPr/YCbCr) to RGBHV color space converter. It allows you to view HDTV programs from your DVD players, video games or HDTV Set Top Box on the PC monitors or projectors via PC VGA input.

- Supports all component interlaced and progressive formats
- Output is RGBHV on HD-15 connector
- Most of PC monitors accept multi-sync input and can lock onto the signal timing of the device's RGB output and show picture

RGBHV to YPbPr Format Converter

CP-264



The CP-264 is designed to convert PC RGB signal to YPbPr signal for display on HDTV/PDP/LCD TV. This device is built with a plug-n-play function for user's convenience and enables users to view PC graphic image on HDTV via YPbPr connector. Since the input signal is not scaled, the signal timing of input and output are the same.

- View PC image on component HDTV
- Compatible with both interlaced and progressive RGB input

P/N	Input Interface	Output Interface	Input Format	Output Format	Supported TV Timings	Supported PC Timings	External Audio	HDCP
CP-265	Component	PC/Component	Analog YUV	Analog RGB/YUV	480i ~ 1080p	VGA ~ XGA	-	-
CP-264	PC	Component	Analog RGB	Analog YUV	480p ~ 720p	VGA ~ XGA	-	-

CV/SV to YCbCr/RGsb Format Converter

CP-VSRGB

The CP-VSRGB is designed for converting Composite Video/S-Video signal such as iPod, DVD, X-Box to the component or RGsB for connecting to SDTV or projector.



- Automatically recognizes the source system
- Suitable for worldwide video system of NTSC 3.58, NTSC 4.43, PAL, PAL-M, PAL-N and SECAM
- Supports Composite video and S-Video input
- Output format supports RGB and YCbCr
- Power saving mode

P/N	Input Interface	Output Interface	Input Format	Output Format	Supported TV Timings	Supported PC Timings	External Audio	HDCP
CP-VSRGB	CV, SV	PC/Component	NTSC3.58/ NTSC4.43/PAL/ PAL-M/PAL-N/ SECAM	Analog RGB/YUV	-	-	-	-

3D Video Converter

3D to 2D Video HDMI Converter

CS-801H

The CS-801H allows 3D movies to be watched on a 2D displays and can also scale and switch HDMI, DisplayPort and PC inputs to a HDMI output, along with their associated audio signals. The operation of all features can be easily handled through on-panel controls, IR remote control, or by RS-232 protocol.



- Supports HDMI 3D processing on Frame Packing and Top-and-Bottom at resolutions of 720p@50/60Hz and 1080p@24Hz, Side-by-Side Half signals at 720p@50/60Hz, 1080i@50/60Hz(input only) and 1080p@24/50/60Hz
- Supports HDMI/Component input resolutions up to 1080p@50/60Hz, DisplayPort up to 2560×1600@60HzRB and PC up to 1920×1200@60/75Hz
- Supports digital and analog audio bi-directional conversion, embedding and de-embedding for audio signals from individual inputs or from the HDMI source
- Supports component input with VGA to 3×RCA adaptor

P/N	Input Interface	Output Interface	Input	Output	Deep Color	HD Audio	3D	EDID	HDCP
CS-801H	HDMI/PC/DisplayPort	HDMI	2/1/1	1	-	Yes	Yes	-	Yes

2D to 3D Video HDMI Converter

CH-2D3D

The CH-2D3D offers real-time conversion of 2D content into 3D. Using this device you can easily create a 3D video using 3D TV/display. Instead of purchasing expensive 3D DVDs, this device allows you to convert 2D formats into 3D formats, for instance 2D content to SBS (Side-by-side Half).



- Supports 2D to 3D Side-by-Side (Half)- (SBSH)
- Up to 1080p@60Hz/24Hz and 720p@60Hz 8-bits
- Supports interlace input bypass (2D to 3D excluded)
- Supports automatic 3D bypass

P/N	Input Interface	Output Interface	Input	Output	Deep Color	HD Audio	3D	EDID	HDCP
CH-2D3D	HDMI	HDMI	1	1	-	-	Yes	-	Yes

3D Video HDMI Demultiplexer

CH-322

The CH-322 is a device used to separate a 3D signal into its left and right signals for sending to two 2D projectors. The 3D signal must be sent via a 1 to 2 HDMI splitter and each of the two 3D signals must be passed through a 3D Demultiplexer whereby the left or right signal can then be outputted to be passed through to each of the two 2D projectors. When aligned correctly, the two 2D projectors can then display each signal to produce a 3D image which can be viewed using polarized 3D glasses.

In addition, the 3D Demultiplexer can convert 3D signals to 2D for use with 2D screens. The device automatically detects the 3D or 2D content, and checks if 3D content is in either Side-by-Side or Frame Packing format.



- Supports 3D content separations for Left/Right fields
- Automatically detects 2D or 3D contents
- Automatically detects if 3D content is Side-by-Side or Frame Packing
- Input 2D resolution supports 480i/p, 576i/p, 720p@50/60, 1080i@50/60 and 1080p@50/60
- Input 3D resolution supports 720p@50/60 (Frame Packing and Side-by-Side), 1080p@24 (Frame Packing)
- Output supports 1080p@60 Hz only
- Push button selection of Left or Right side fields
- Convert 3D signal to 2D for display on non-3D TVs/monitors/projectors

P/N	Input Interface	Output Interface	Input	Output	Deep Color	HD Audio	3D	EDID	HDCP
CH-322	HDMI	HDMI	1	1	-	-	Yes	-	Yes

USB Video Converter

USB to HDMI/PC/USB Wireless Transmitter and Receiver

CDL-165PRO

Today people are spending more of their time around technology, especially for entertainment purposes, and often encounter problems. People spend a lot of their watching Internet TV (HULU for instance is a popular source for internet TV and movies) However when the Internet TV viewer requires a larger viewing screen for a more immersive experience they then have to go through the hassle of connecting multiple cables, or working with wireless devices that fail to impress us on their quality.

The "USB wireless transmitter and receiver to HDMI display" can allow you to view any PC information on a compatible TV with a wired like experience. An additional feature of this product is that it includes extra USB ports allowing it to perform KVM operations next to the TV, which is an added bonus for those of us who are multi-taskers.

- Worldwide Band Groups 1,3,4 and 6
- Supports HDMI & VGA outputs
- 16/32-bit Color for high-quality images
- HD resolution up to 1920 x 1080
- Has a broadcast range of 10 meters
- Speed up to 150Mb/s
- HDMI and RGB display connectivity
- EDID selection with switch for VGA or HDMI output
- Secure and easy to use



P/N	Input Interface	Output Interface	TV Timings	PC Timings	PC Software
CDL-165PRO	1×Mini-USB	1×HDMI, 1×PC, 2×USB	480p ~ 1080p	VGA ~ UXGA	Yes

Ethernet/USB to HDMI/PC/USB Display Converter

CDL-165ETHG

The device that can send audio/video signals from a Notebook/PC over a local area network through regular Ethernet cables to a TV which can be used as the primary display. When a keyboard and mouse are plugged in, the device will let you to edit word processing documents and play your music/movies on a TV.

Supporting a direct connection up to 100 meters away when using network cables, this gadget also includes two USB ports which let users operate printers, scanners and other USB devices at the same time, just like a PC. This is useful in many different scenarios. For example, during meetings each attendee would be able to access a projector from their laptop without having to fumble with any cables as long as they are connected to the network. This device can also be used as a simple USB to HDMI signal converter thanks to its mini USB input port.

- Supports HDMI & VGA outputs
- 16/32-bit Color for high-quality images
- HD resolutions up to 1920×1080
- HDMI and RGB display connectivity
- EDID selectable with switch for VGA or HDMI output
- Experience the complete PC environment on a TV from 100m away
- Allows a TV to act as the primary PC display and the use of keyboard and mouse to browse the internet, use Microsoft Office, watch movies or listen to music from any networked computer



- Supports high performance 16-bit stereo, 48 kHz audio sampling
- Supports TCP/IP Ethernet protocols
- Supports 10/100/1000 Mbps Ethernet
- Extend or mirror audio and video through a network or USB cable to an HDMI display
- Shares HDMI display with multiple users through your existing office or home IP network
- Add an HDMI display to your computer through a USB 2.0 port
- Supports mirror and extended video modes

P/N	Input Interface	Output Interface	TV Timings	PC Timings	PC Software
CDL-165ETHG	1×Mini-USB, 1×RJ45	1×HDMI, 1×PC, 2×USB	480p ~ 1080p	VGA ~ UXGA	Yes

USB to HDMI/PC/USB Display Converter

CDL-165HUB

Today people are spending more of their time around technology, especially for entertainment purposes, and often encounter problems. People spend a lot of their watching Internet TV (HULU for instance is a popular source for internet TV and movies) However when the Internet TV viewer requires a larger viewing screen for a more immersive experience they then have to go through the hassle of connecting multiple cables.

The "USB to HDMI display" can allow you to view any PC information on a compatible TV. An additional feature of this product is that it includes extra USB ports allowing it to perform KVM operations next to the TV, which is an added bonus for those of us who are multi-taskers.



- Supports HDMI & VGA outputs
- 16/32-bit Color for high-quality images
- HD resolution up to 1920 x 1080
- HDMI and RGB display connectivity
- EDID selection with switch for VGA or HDMI output
- Secure and easy to use

P/N	Input Interface	Output Interface	TV Timings	PC Timings	PC Software
CDL-165HUB	1×Mini-USB	1×HDMI, 1×PC, 2×USB	480p ~ 1080p	VGA ~ UXGA	Yes

USB to HDMI Converter

CDL-125

This USB to HDMI converter enables you to add an additional monitor to a laptop or desktop through the use of USB 2.0 ports, freeing you from the complicated process of installing VGA cards. With this device, you can extend your display across two screens, letting you to surf the web on one and make a spreadsheet/presentation/ use a word processor on the other. Furthermore, this device has a mirrored mode, allowing you to display the same desktop image on two monitors. The Display Link Manager supports HDMI outputs and a screen resolution up to 1440x900 (16/32-bit), this follows the displays native resolution. DisplayLink Manager can be used in many ways, and those who are teachers, designers, architects or engineers will find the extra screen real estate especially useful.



- Connects up to 6 (Windows OS)/ 4 (Mac OS) displays to one PC through USB 2.0 ports
- Supports HDMI output all Intel Macs
- Supported screen resolution between VGA and 1440x900 bits (at 60 Hz)
- OS X Tiger 10.4.11 or Mac OS Leopard 10.5.5
- Completely new architecture to support Vista Aero (32/64bit)
- No external power supply needed (power is supplied from the PC through the USB connection)
- Bundled Software includes:
 - Extended and Mirror modes
 - Adjustable screen resolution and color quality in extended mode
 - Allows you to rotate the screen on the additional display by 90, 180 or 270 degrees
 - Automatic updates
 - Compatible with Windows XP, Vista (32/64bit), Window 7, and Mac

P/N	Input Interface	Output Interface	TV Timings	PC Timings	PC Software
CDL-125	1×Mini-USB	1×HDMI	480p ~ 720p	VGA ~ 1440×900	Yes

Video Mixer

Digital A/V Effects Mixer

CMX-112

CMX-12



This High Definition HD/SD digital A/V Mixer has two input BUSES, each with six inputs (2 x HDMI's, 2 x Components and 2 x S-Video/Composite video) and also a Background Color feature for greater efficiency. The device has 1 x HDMI, 2 x Components, 2 x S-Video and 2 x Composite video output ports and also allows you to make adjustments to the position of your video. The compatible output resolutions are HD/SD, NTSC, NTSC-4.43, PAL, PAL-M, PAN-N, SECAM, 480i, 576i, 480p, 576p, 720p 50/60 and 1080i 50/60. The output resolutions can also be automatically adjusted so it is more consistent. Please refer to the diagram on the right side for additional information.

- Selective size and position for digital effects area and PIP windows
- Automatic fade and wipe with speed preset control
- Digital effects-Still, Mosaic, Paint, Negative
- 96 wipe patterns
- Chroma key & Luminance key
- High Picture Quality
- 3x8 back color
- Joystick control for digital effect position
- Fade control for Video and Audio
- Video and Audio mixing
- 1xHDMI source inputs
- 2xComponent, 2xComposite and S-Video source inputs
- 1xHDMI recording, 2xComponent recording outputs
- 1xComposite and S-Video recording outputs
- 1xComposite and S-Video preview outputs (OSD)
- Auxiliary audio input
- Microphone input and headphone output
- Picture and Picture control (3 window sizes)
- Each A/B BUS can adjust the Contrast/ Brightness/ Color/ HUE/ Detail & Aspect Ratio
- Supports Lip-Sync delay up to 170ms
- Composite supports 3D comb filter and YC separation
- Motion and Edge Adaptive De-interlacing

P/N	Input Interface	Output Interface	TV Timings
CMX-112	2xHDMI, 2xComponent, 2xCV, 2xSV	1xHDMI, 2xComponent, 2xCV, 2xSV	480i ~ 1080i NTSC3.58/NTSC4.43/PAL/PAL-M/PAL-N/SECAM
CMX-12	2xHDMI, 2xComponent, 2xCV, 2xSV	1xHDMI, 2xComponent, 2xCV, 2xSV	480i ~ 1080i NTSC3.58/NTSC4.43/PAL/PAL-M/PAL-N/SECAM

Analog A/V Effects Mixer

CMX-07

- Four Video Inputs-2 composite and 2 S-Video
- Digital effects-STILL,STROBE,MOSAIC,PAINT,NEGATIVE
- 96 wipe patterns
- Chroma Key & Luminance Key
- High resolution picture quality
- 8 back colors
- Joystick control for digital effect position
- Fade control for Video and Audio
- Audio and Video mixing
- Picture in picture control (3 window sizes)
- 2 Audio/Video and S-Video source inputs
- 2 Audio/Video and S-Video source outputs
- Auxiliary audio input
- Microphone input and Headphone output



P/N	Input Interface	Output Interface	TV Timings
CMX-07	2×CV, 2×SV	6×CV, 2×SV	NTSC3.58/NTSC4.43/PAL/PAL-M/PAL-N/SECAM

TV System Converter

Video Multi-System Converter with TBC/Genlock

CDM-831TR



- Full digital decoding and encoding; highly integrated digital processing reduces the board size and ensures reliable quality
- A color-bar pattern will automatically appear on the TV screen when there is no video signal present on the input
- TBC is active constantly, even in the bypass mode.
- Built-in TBC/Genlock capability for synchronizing multiple asynchronous video sources
- Adjustable control on contrast, brightness, color, tint,sharpness, backcolor, sub-carrier and Horizontal/Vertical phase of TBC video

CDM-831T



- Two sets of video and S-VHS inputs
- One output for each of composite video, S-VHS and Y, B-Y, R-Y
- Input system auto detection
- Digital conversion from input TV signals of NTSC 3.58, NTSC 4.43, PAL, PAL M, PAL N, SECAM to output signals of NTSC 3.58, NTSC 4.43, PAL, PAL M, PAL N, SECAM.
- Digital comb filter for input system decoding
- Built-in Time Base Correction (T.B.C) function for signal synchronization
- Built-in automatic gain control (A.G.C) function ensures 1 Vp-p output signal (input level can range from 0.5 Vp-p to 2 Vp-p)

P/N	Input Interface	Output Interface	Input Format	Output Format	External Audio	HDCP
CDM-831TR	CV/SV	CV/SV/Component	NTSC3.58/NTSC4.43/PAL/PAL-M/PAL-N/SECAM	NTSC3.58/NTSC4.43/PAL/PAL-M/PAL-N/SECAM	Yes	-
CDM-831T	CV/SV	CV/SV/Component	NTSC3.58/NTSC4.43/PAL/PAL-M/PAL-N/SECAM	NTSC3.58/NTSC4.43/PAL/PAL-M/PAL-N/SECAM	Yes	-

Video Multi-System Converter with TBC

CDM-680

Multi-system Digital Converter provides broadcast quality conversion between numerous worldwide broadcast television standards--N3, N4, PAL, PAL M, PAL N, Secam.- Built-in TBC Genlock capability for synchronizing multiple asynchronous video sources.

- Restores distorted or de-shaped vertical and horizontal sync. and color burst
- Eliminate picture jittering and ensure stable image on screen through Dual-field full-frame reconstruction
- Correct time error of video that normally associated with VCR source
- Adjust Brightness, Color, Tint, Sharpness and Contrast to improve video picture
- A true multisystem Time Base Corrector automatically processes video input of any systems-NTSC, NTSC 4.43, PAL, PAL M, PAL N, SECAM
- Digital comb filter for input Y/C separation offers best output quality
- Built-in automatic gain control (AGC) ensures 1 Vp-p output signal (input level ranges from 0.5 Vp-p to 2 Vp-p)
- Automatically sending out color bar patterns when there is no video signal presents on the input



P/N	Input Interface	Output Interface	Input Format	Output Format	External Audio	HDCP
CDM-680	CV/SV	CV/SV	NTSC3.58/NTSC4.43/PAL/PAL-M/PAL-N/SECAM	NTSC3.58/NTSC4.43/PAL/PAL-M/PAL-N/SECAM	-	-

Video Multi-System Converter

CDM-660

- Built-in Color bar
- Input auto detecting
- Digital conversion from input TV signal of NTSC, N4, PAL, PAL M, PAL N, SECAM to output signals of NTSC, PAL
- Digital line (525 <-> 625 lines) and field (60 <-> 50 field) conversion
- Input/Output video: Composite or S-Video
- Full digital processing: 6M bit field memory (but not fully used)



P/N	Input Interface	Output Interface	Input Format	Output Format	External Audio	HDCP
CDM-660	CV/SV	CV/SV	NTSC3.58/NTSC4.43/PAL/PAL-M/PAL-N/SECAM	NTSC3.58/PAL	-	-

Video Multi-System Converter with TBC

CDM-640AR



- Convert any video system to any other video systems
- Input video system auto detected
- Digital conversion from input TV signals of NTSC 3.58, NTSC 4.43, PAL, PAL M, PAL N, SECAM to output signals of NTSC 3.58, NTSC 4.43, PAL, PAL M, PAL N
- 8 bit broadcast quality color decoding
- Digital comb filter for input system decoding
- Built-in Time Base Correction(T.B.C.) function for signal synchronization
- Built-in Automatic Gain Control(A.G.C.) function ensures 1 Vp-p output signal (Input level can range from 0.5Vp-p to 2 Vp-p)

CDM-640A



- Full digital decoding and encoding; highly integrated digital processing reduces the board size and ensures reliable quality
- A color-bar pattern will automatically appear on TV screen when there is no video signal present on the input
- TBC is active constantly, even in the bypass mode
- Adjustable control on Contrast, Brightness, Color, and Tint

P/N	Input Interface	Output Interface	Input Format	Output Format	External Audio	HDCP
CDM-640AR	CV/SV	CV/SV	NTSC3.58/NTSC4.43/PAL/PAL-M/PAL-N/SECAM	NTSC3.58/NTSC4.43/PAL/PAL-M/PAL-N	-	-
CDM-640A	CV/SV	CV/SV	NTSC3.58/NTSC4.43/PAL/PAL-M/PAL-N/SECAM	NTSC3.58/NTSC4.43/PAL/PAL-M/PAL-N	-	-

Video System Converter

CDM-600R / CDM-600

- Full digital processing: 2M bit field memory
- Automatic input system detection
- Stylish, compact package, excellent for portable application
- 19" rack mount is an option



• CDM-600R

P/N	Input Interface	Output Interface	Input Format	Output Format	External Audio	HDCP
CDM-600R	CV	CV	NTSC3.58/NTSC4.43/PAL/SECAM	NTSC3.58/PAL	-	-
CDM-600	CV	CV	NTSC3.58/NTSC4.43/PAL/SECAM	NTSC3.58/PAL	-	-

Video System Converter

CDM-150

The CDM-150 can convert video signal of different TV systems to NTSC or PAL signal selectable, for the connected display to work properly. It is a convenient device for users to connect source and display of different TV systems, with the on-panel H.POS. adjusters which is easy to fine-tune screen offset caused by display of different type. The installation is simple, just plug in video cables of input/output and power adapter and then switch between NTSC and PAL to get the preferable result.



- Converts 525 lines to/from 625 lines
- Converts refresh frequency between 60Hz and 50Hz
- Provides color bar pattern when there is no signal present
- System is capable with 8 Mb field memory

P/N	Input Interface	Output Interface	Input Format	Output Format	External Audio	HDCP
CDM-150	CV	CV	NTSC3.58/NTSC4.43/PAL/PAL-M/PAL-N/SECAM	NTSC3.58/PAL	-	-

Video System Converter

CDM-160

The Video System Converter is designed to convert video signal from source of NTSC, N4 PAL, PAL M, PAL N and SECAM systems (automatically detected), to NTSC or PAL signal selectable for the connected display to work properly. It is a convenient device for users to connect source and display of different TV systems. With its on-panel H.pos. adjusters, fine-tuning of screen offset caused by different display types is no longer a hassle.



- Supports digital conversion from NTSC, N4, PAL, PAL M, PAL N and SECAM to NTSC/PAL
- Converts 525 lines to/from 625 lines

- Converts refresh frequency between 60Hz and 50Hz
- Provides color bar pattern when there is no signal present
- System is capable with 8 Mb field memory

P/N	Input Interface	Output Interface	Input Format	Output Format	External Audio	HDCP
CDM-160	CV/SV	CV/SV	NTSC3.58/NTSC4.43/PAL/PAL-M/PAL-N/SECAM	NTSC3.58/PAL	-	-

Video System Converter

ADC-660

- Built-in color bar
- Input auto detecting
- Digital conversion from input TV signals of NTSC, N4, PAL, PAL M, PAL N, SECAM to output signals of NTSC, PAL
- Digital line (525 625 Lines) and field (60 50 field) conversion
- 6M bit field memory
- Built-in 12V DC to DC inverter, ideal for use in car application



P/N	Input Interface	Output Interface	Input Format	Output Format	External Audio	HDCP
ADC-660	CV	CV	NTSC3.58/NTSC4.43/PAL/PAL-M/PAL-N/SECAM	NTSC3.58/PAL	-	-

Other Video Processor

HDMI/COMP/SV/CV to USB FullHD Capture

CUSB-603

The CUSB-603 supports HDMI 1080p video/component/SV/CV input and record to H.264 video format. Its low power consumption and superior video processing capabilities make it ideal for integration into high-end portable and desk top PC products.

- Supports Full HD capture of HDMI/COMP/SV/CV signal to USB
- Built-in H.264/MPEG4-AVC High Definition encoder
- Video input supports 1920x1080, 1280x720, 576, 720x480
- Supports MPEG-4 Advanced Audio Coding (AAC)
- Supports audio sampling frequency of 48 KHz
- Powered via USB bus power



P/N	Input Interface	Output Interface	Input Format	Output Format	Supported TV Timings	Supported PC Timings	External Audio	HDCP
CUSB-603	HDMI/ Component/SV/ CV	Mini-USB	Digital RGB/YUV Analog YUV NTSC/PAL	Data	480i ~ 1080p	-	-	-

PC/SV/CV Video Overlay Processor

CPT-2370

The CP-2370 is designed to overlay a PC/Graphics signal onto a Video signal or vice versa. It has the added feature of converting a variety of VGA sources to a Video signal. It is ideal for use in applications like video conferencing, home theater, business presentations and lecture hall.

- Superimpose PC text and graphics onto another video signal or superimpose a video signal onto a VGA source
- Supports VGA to Video conversion
- Supports PC and Video picture adjustment
- Supports Key adjust and PC aspect
- Supports Zoom and Pan functions
- Supports Vertical and Horizontal Overscan/Underscan
- Automatically supports frame rate conversion from 56 Hz up to 85 Hz
- Cross-platform compatibility for PC or Mac
- Simultaneous video outputs
- Controlled via front panel, RS-232 or IR remote controller



P/N	Input Interface	Output Interface	Input Format	Output Format	Supported TV Timings	Supported PC Timings	External Audio	HDCP
CPT-2370	PC/CV/SV	PC/CV/SV	Analog RGB/CV/SV	Analog RGB/CV/SV	NTSC, NTSC 4.43, PAL, PAL-M, PAL-N or SECAM	640×480, 800×600, 1024×768, 1280×1024, 1600×1200	-	-

Chroma Key Processor

CBK-10

The CBK-10 supports Video or S-Video as the main source and the other Video or S-Video input as the background source. The background sources along with 6 background colors chroma key effects. The main source can stand in front of the background source and using the chroma key to take off the background colors to perform the different color effects. Also, using level adjust knob to control the color effect levels.

- Supports NTSC 3.58, NTSC 4.43, PAL, PAL-M, PAL-N and SECAM
- Input sources support Key source and Background source with Video and S-Video inputs
- Outputs support 2 Video and 2 S-Video



- Supports Key or Luma level: Red, Green, Blue, White, Black and Black+White+Blue:
- Phase Keying: Red, Green and Blue chroma key
- Luma Keying: Blue, Black and White
- Supports adjust knob to control Background color effect levels

P/N	Input Interface	Output Interface	Input Format	Output Format	Supported TV Timings	Supported PC Timings	External Audio	HDCP
CBK-10	CV/SV	CV/SV	NTSC/PAL	NTSC/PAL	NTSC/PAL	-	-	-

Video to RGB/Sync Converter

CAR-3

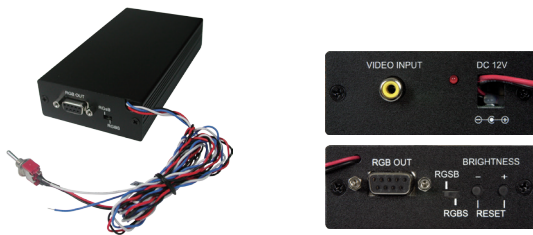
Adding video capability to your car navigation system.

- Digital decoding and encoding ensures best conversion quality
- Converts NTSC/PAL /SECAM composite video to RGB/ Sync or RGSB(Sync on Green)
- Input system auto detecting
- RGSB input loop through
- Sync polarity switchable between positive and negative
- Output brightness adjustable.



Video to RGB/Sync Converter

CAR-2G



Adding video capability to your car navigation system.

- Digital decoding and encoding ensures best picture quality
- Converts NTSC/PAL /SECAM composite video to RGB/ Sync or RGSB(Sync on Green)
- Video field conversion 50Hz->60Hz through SW2 switch on the PC board
- RGSB input loop through
- Sync polarity switchable between positive and negative through SW4 switcher on the PC board
- 6M field memory
- Bare-wires RGSB input/output
- Universal interface for vehicles with no plug and play solution, cutting and slicing will be required

Video to RGB/Sync Converter

CAR-1



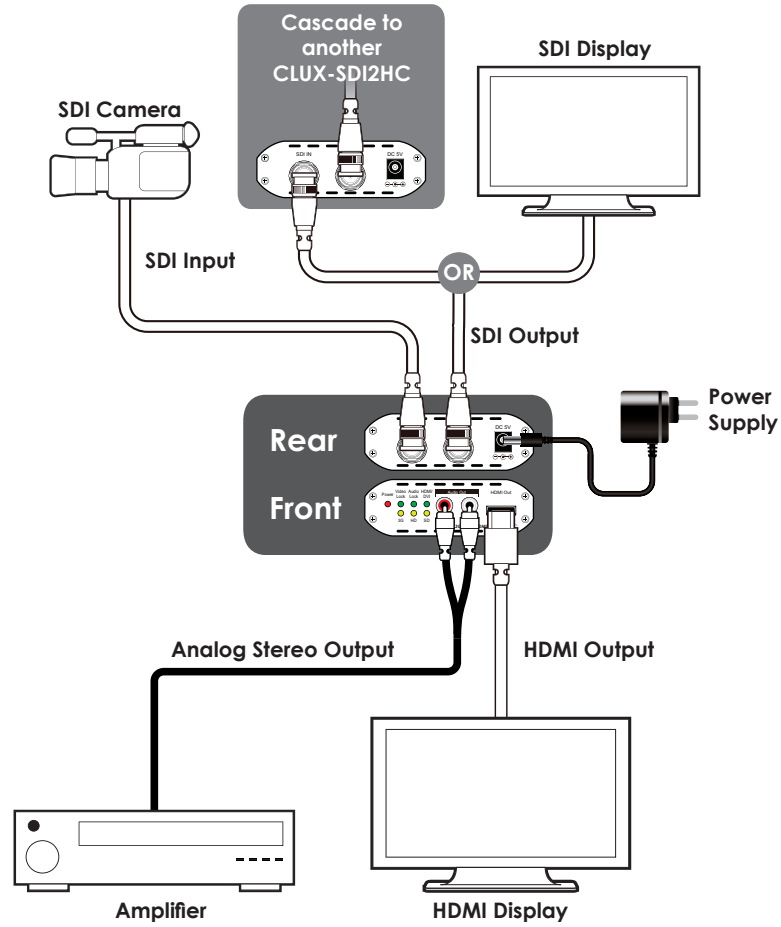
Adding video capability to your car navigation system.

- Digital decoding and encoding ensures best conversion quality
- Converts NTSC/PAL /SECAM composite video to RGB/ Sync or RGSB(Sync on Green)
- Input system auto detecting
- RGSB input loop through
- Sync polarity switchable between positive and negative
- Output brightness adjustable

P/N	Input Interface	Output Interface	Input Format	Output Format
CAR-3	2×CV, 1×RGSB Wire	DB9	NTSC/PAL /SECAM RGSBs	Analog RGSB/RGSBs
CAR-2G	1×CV, 1×RGSB Wire	DB9	NTSC/PAL /SECAM RGSBs	Analog RGSB/RGSBs
CAR-1	1×CV, 1×RGSB Wire	DB9	NTSC/PAL /SECAM RGSBs	Analog RGSB/RGSBs

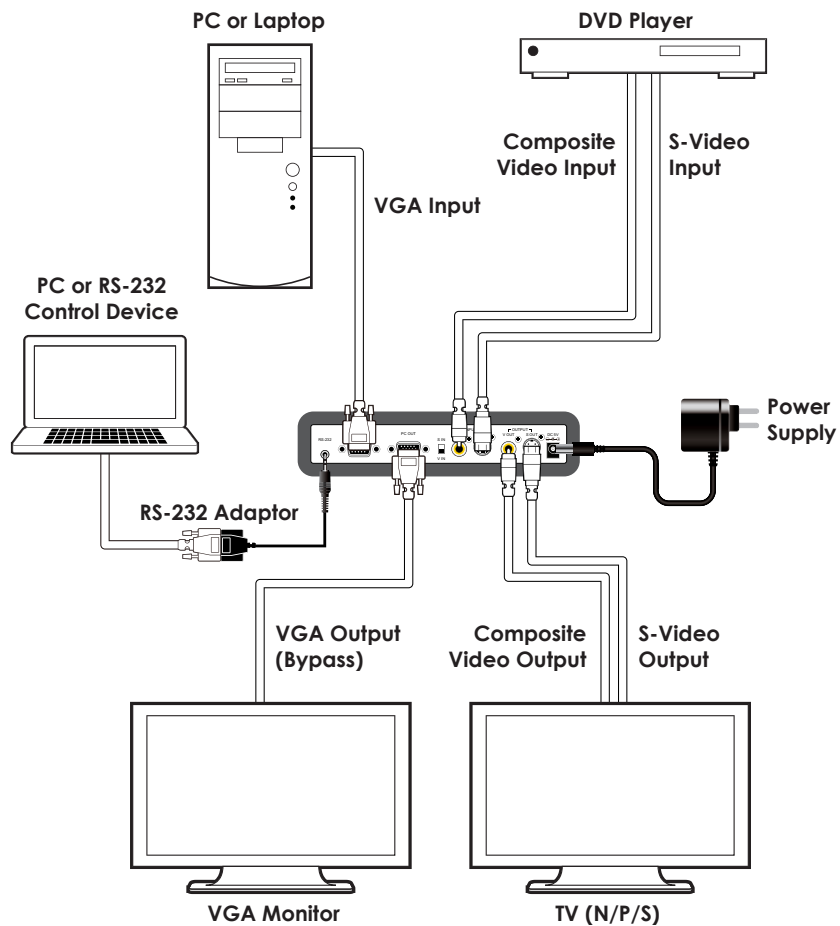
Connection Diagram

► CLUX-SDI2HC



Connection Diagram

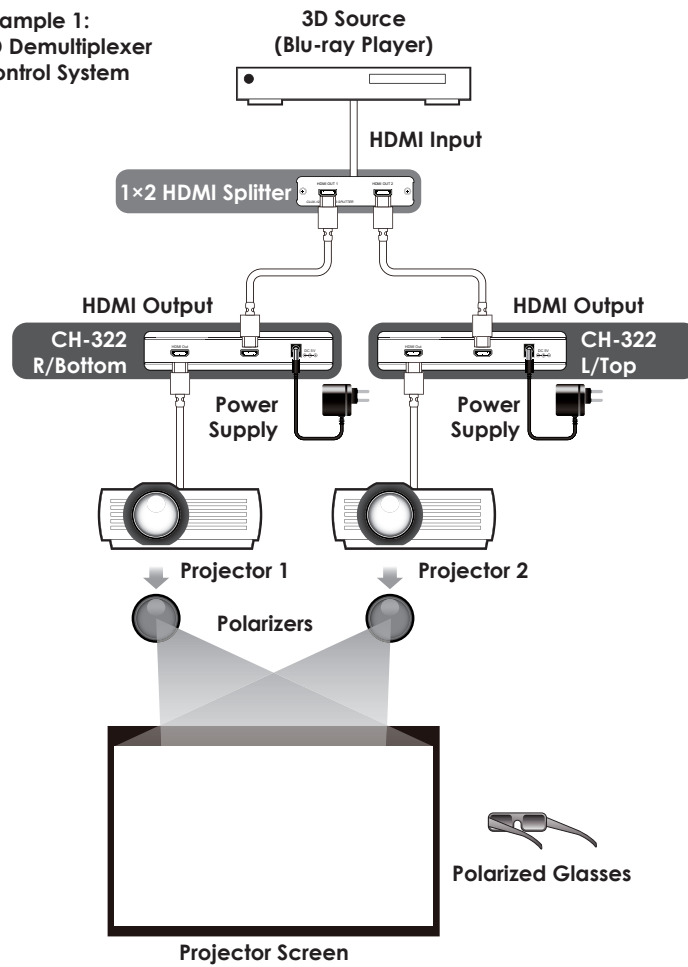
► CPT-2370



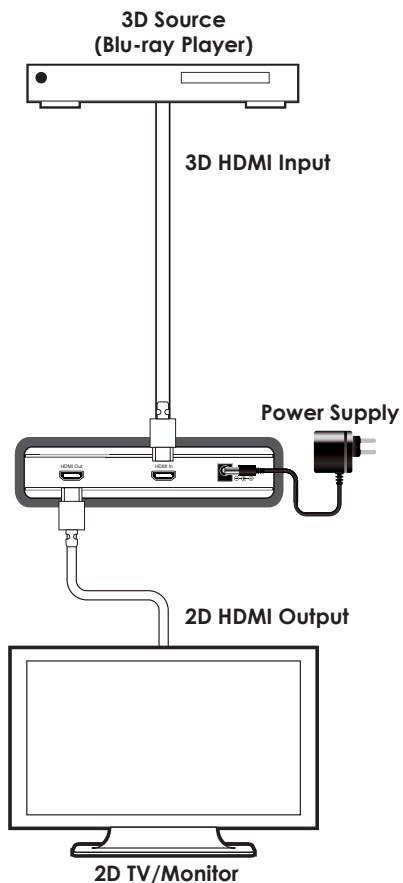
Connection Diagram

► **CH-322**

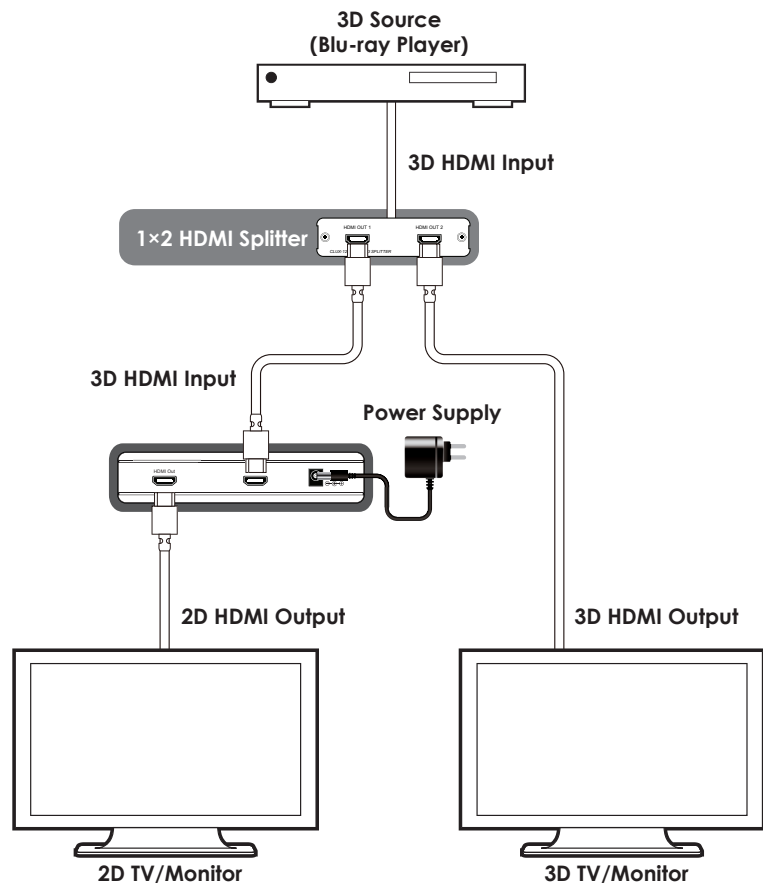
**Example 1:
3D Demultiplexer
Control System**



**Example 2a:
Convert 3D to 2D Output for non-3D Display**



**Example 2b:
Share 3D Output with 3D and 2D Displays**



Dolby Digital Decoder

Universal Digital/Analog Audio Converter with Dolby Digital Decoder

DCT-9DN



The Universal Digital/Analog Audio Converter with Dolby Digital decoder is designed to convert audio between Optical, Coaxial and analog audio formats. With the ability to convert digital signals into analog and analog signals into digital, this device supports the simultaneous conversion of audio formats allowing you to choose between optical, coaxial or analog or all three at the same time. The Universal Digital/Analog Audio Converter with Dolby Digital decoder is the perfect choice when you need to deal with multiple audio formats.

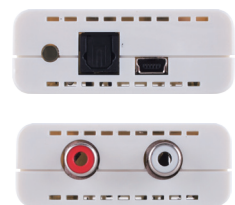
DCT-9D



The Universal Digital/Analog Audio Converter with Dolby Digital Decoder is a gadget that can convert Optical, Coaxial and L/R audio signals with output sound guaranty. With the ability to convert digital signals into analog and analog signals into digital, this gadget supports the simultaneous conversion of audio formats so when you are converting Optical into L/R audio you can also convert it into Coaxial and enjoy it without pop sound or sudden disappear. Therefore, if you find yourself limited by multiple audio formats, why not consider the Universal Digital/Analog Audio Converter with Dolby Digital Decoder and find out what pure audio sounds like.

Optical to Analog Audio Converter with Dolby Digital Decoder

DCT-1D



The DCT-1D provides the ideal solution for converting an optical digital audio signal to analog stereo audio. With audio sampling rate support up to 48 kHz (Dolby Digital) or 96 kHz (LPCM) and input data rate support up to 24-bit, it provides high quality sound conversion.

P/N	Input Interface	Output Interface	Input Format	Output Format
DCT-9DN	1×TOSLink, 1×COAX, 2×RCA	1×TOSLink, 1×COAX, 2×RCA	Compressed 2/5.1CH LPCM 2CH Analog 2CH	Compressed (Bypass) LPCM 2CH Analog 2CH
DCT-9D	1×TOSLink, 1×COAX, 2×RCA	1×TOSLink, 1×COAX, 2×RCA	Compressed 2/5.1CH LPCM 2CH Analog 2CH	Compressed (Bypass) LPCM 2CH Analog 2CH
DCT-1D	1×TOSLink	2×RCA	LPCM 2CH	Analog 2CH

- Dolby Digital decoder technology embedded
- Integrated digital interpolator filter and Digital-to-Analog Converter (DAC)
- Integrated Analog-to-Digital Converter (ADC)
- Supports LPCM input sampling rates from 32 to 96 kHz
- Output sampling rates is adjusted to 48 kHz
- Supports Dolby Digital audio downmixing to 2CH audio
- Supports Dolby Digital sampling rate 48kHz
- Provides electromagnetic-noise-free transmission
- Easy to install and operate
- Compact and elegant design

- Dolby Digital Decoder technology embedded
- Integrated digital interpolator filter and Digital-to-Analog Converter (DAC)
- Integrated Analog-to-Digital Converter (ADC)
- Supports sampling frequencies from 32 to 96 kHz
- Provides electromagnetic-noise-free transmission

The Dolby Digital Decoder function guarantees that Dolby Digital audio signals are downmixed to analog stereo without loss of quality. This unit is perfect for use in digital recording systems, computer audio systems or digital mixing consoles and can be powered from any spare USB port allowing it to be used with USB equipped HDTVs, Blu-ray players or computers without the need for a separate power supply.

- Supports optical digital audio signal input and conversion into analog stereo audio output
- Supports uncompressed digital LPCM stereo or Dolby Digital 5.1CH audio inputs
- Supports LPCM 2CH audio sampling rates from 32 to 96 kHz (32, 44.1, 48, 88.2 and 96 kHz)
- Supports Dolby Digital 5.1CH audio sampling rates of 48 kHz
- Supports Dolby Digital audio downmixing to 2CH audio
- Supports S/PDIF bitstream 24-bit of data for the left and right channels

P/N	Input Sampling Rate	Output Sampling Rate	Dolby Decoder	Video Bypass	Volume Control	Lip SYNC. Control
DCT-9DN	32 ~ 96 kHz	48 kHz	Yes	-	-	-
DCT-9D	32 ~ 96 kHz	32 ~ 96 kHz	Yes	-	-	-
DCT-1D	32 ~ 96 kHz	-	Yes	-	-	-

Audio Format Converter

Digital/Analog Audio Converter

DCT-9



Selectable Optical/Coaxial/RCA L/R both IN and multi-format Out audio converter. This device can convert Analogue Audio Signal and convert it to Digital Audio Out or convert Digital Audio Signal into Analogue Audio Out and also convert Digital coaxial to TOSLINK and TOSLINK to coaxial.

- Simultaneously digital and analog audio output
- Digital coaxial to TOSLINK and TOSLINK to coaxial conversion
- Integrated digital interpolator filter and Digital-to-Analog Converter (DAC)
- Integrated Analog to-Digital Converter (ADC)
- Supports sampling frequencies from 16 to 100 kHz
- Provides electromagnetic-noise-free transmission

Integrated Zone Amplifier

DCT-23



The DCT-23 accepts analog and digital stereo audio signals via RCA, 3.5mm mini-jack, optical and coaxial digital, and HDMI with an additional microphone input. As well as speaker outputs, it boasts line level output, optical and digital outputs, and HDMI outputs for wider systems integration. Suitable for use at musical events, sound presentation and sound amplification.

With audio sampling rate support up to 48 kHz and I/O data rate support up to 24-bit, it provides a high quality sound reproduction.

- 30 watts per channel Digital Stereo Amplifier
- Supports Digital to Analog audio Conversion (DAC) and Analog to Digital audio Conversion (ADC)
- HDMI Audio Embedding and de-embedding
- Supports input sampling rates up to 96kHz and output at 48kHz
- Dedicated XLR microphone input with independent volume control
- Supports microphone sound being embedded into audio output
- Simultaneous output of sound on both digital and analog
- Supports control via IR (Remote and IR Receiver input), RS-232 or IP (Telnet)
- Analog line output selectable to be either fixed or variable output level

P/N	Input Interface	Output Interface	Input Format	Output Format
DCT-9	1×TOSLink, 1×COAX, 2×RCA	1×TOSLink, 1×COAX, 2×RCA	Compressed 2/5.1CH LPCM 2CH Analog 2CH	Compressed (Bypass) LPCM 2CH Analog 2CH
DCT-21	1×HDMI, 1×USB, 1×TOSLink, 1×COAX, 2×RCA, 1×Aux	1×HDMI, 1×TOSLink, 1×COAX, 2×RCA, 1×XLR, 1×6.3mm Jack	Compressed 2/5.1CH LPCM 2CH Analog 2CH	Compressed (Bypass) LPCM 2CH Analog 2CH
DCT-23	2×HDMI, 1×TOSLink, 1×COAX, 1×3.5mm Jack, 2×RCA, 1×MIC	1×HDMI, 1×TOSLink, 1×COAX, 2×RCA	Compressed 2/5.1CH LPCM 2CH Analog 2CH	Compressed (Bypass) LPCM 2CH Analog 2CH

High Definition Audio Center

DCT-21



The HD Audio Center is designed to allow multiple audio sources to be controlled, switched and output to a variety of audio equipment. With its 6 audio inputs (including an HDMI input) and 6 audio outputs (including a 6.3mm headphone output) you can integrate and convert any digital or analog audio source to any type of amplifier or active speakers.

This device has an built-in sampling rate converter which can upscale audio signals between 44.1 kHz to 192 kHz (24-bit). With HDMI connectivity, it allows the user to embed or de-embed audio within the HDMI signal path.

For professionals, the Ti TPA6120A2 headphone amplifier, XLR (Low-noise Professional Balanced output) and 6.3mm headphone jack (3.5 mini-jack adaptor supplied) offer unparalleled audio quality. With a highly accurate PLL and low jitter reduction clock system, and with an OLED display and IR remote for controlling the device the HD Audio Center is an incredibly useful tool for getting the most out of your audio devices.

Main

- 6 Input, 6 Output HD Audio Center
- 4 Digital Inputs, 2 Analog Inputs
- 3 Digital Outputs, 2 Analog Outputs and Headphone Output
- Full system control from IR remote or main control dial via OLED display

Digital

- HDMI, USB, Optical and Coaxial digital audio inputs support LPCM stereo
- HDMI input supports LPCM stereo in all modes but can pass surround sound signal whilst in bypass mode
- All digital inputs support 192kHz sampling rate at up to 24-bit resolution
- HDMI, Optical and Coaxial digital outputs
- All digital inputs can be SRC (Sample Rate Conversion) to 44.1, 48, 88.2, 96, 176.4 and 192 kHz via DSP Engine (Digital Signal Processing)
- Highly accurate PLL and low jitter reduction clock system
- HDMI Audio output (video is always bypassed to HDMI output) can either output the incoming HDMI (HDMI Bypass Mode) or embed the selected audio signal (HDMI Input Mode)

Analog

- Built-in Ti TPA6120A2 high quality headphone amplifier output
- Professional XLR balanced stereo output
- RCA analog stereo output
- RCA analog stereo input
- Mini-jack (3.5mm) stereo input
- Total Harmonic Distortion (THD): Less than 100dB (-20dBFS)
- Analog inputs provide digital output sampling rates up to 192 kHz

Misc

- IR Remote with direct source, power and mute buttons
- HDMI audio embedding or de-embedding
- Volume control of analog and headphone outputs or just headphone output via remote or main control dial
- Direct power and mute button on unit
- High viewing angle OLED display
- Headphone output fades in after system is muted
- 6.3mm headphone output (3.5mm mini-jack adaptor supplied)

P/N	Input Sampling Rate	Output Sampling Rate	Dolby Decoder	Video Bypass	Volume Control	Lip SYNC. Control
DCT-9	32/44.1/48/96 kHz	32/44.1/48/96 kHz	-	-	-	-
DCT-21	32 ~ 192 kHz	32 ~ 192 kHz	-	Yes	Yes	-
DCT-23	32 ~ 192 kHz	32 ~ 192 kHz	-	Yes	-	-

Coaxial/Optical Digital Audio Converter/Repeater

DCT-2



Accepts S/PDIF audio signal input through either Coaxial cable or TOSLINK cable. Selectable input type (Coaxial or TOSLINK) and it will convert signal to both Coaxial and TOSLINK output sources. Built-in amplification feature allows this unit to also serve as a repeater of audio signal and extend (double) the transferring distance.

- Supports two-way conversion: Coaxial to Toslink or Toslink to Coaxial
- Supports input audio signal from 2 channels up to 5.1 channels, output signal follows input
- Supports amplification of S/PDIF audio and extends the transferring distance, through coaxial and/or Toslink cables
- Select one input from Coaxial or Toslink input ports, and send S/PDIF audio signal to both Coaxial and Toslink output ports simultaneously
- Compact size and easy to install

P/N	Input Interface	Output Interface	Input Format	Output Format
DCT-2	1×TOSLink, 1×COAX	1×TOSLink, 1×COAX	Compressed 2/5.1CH LPCM 2CH	Compressed (Bypass) LPCM (Bypass)
DCT-16	1×Mini-USB	1×TOSLink, 2×RCA, 1×6.3mm Jack	LPCM 2CH	LPCM 2CH Analog 2CH

Optical Digital to Analog Audio Converter

DCT-1



The DCT-1 provides the ideal solution for converting an Optical digital audio signal to analog stereo audio. With support for input audio sampling rates up to 192 kHz/24-bit, it provides high quality sound conversion.

This unit is perfect for use in digital recording systems, computer audio systems or digital mixing consoles and can be powered from any spare USB port allowing it to be used with USB equipped HDTVs, Blu-ray players or computers without the need for a separate power supply.

- Supports optical digital audio signal input and conversion into analog stereo audio output
- Supports uncompressed digital LPCM stereo audio input
- Supports LPCM 2CH audio sampling rates up to 192 kHz
- Supports S/PDIF bitstream 24-bit of data for the left and right channels
- Compact, elegant design and easy to install

P/N	Input Interface	Output Interface	Input Format	Output Format
DCT-1	1×TOSLink	2×RCA	LPCM 2CH	Analog 2CH
DCT-25	1×HDMI	2×RCA	LPCM 2CH	Analog 2CH

USB to Optical/RCA/Headphone Converter

DCT-16



The USB to Optical/RCA/Headphone Audio Converter is compliant with USB audio 2.0 and is able to accept high resolution digital/analog audio up to 192K and a high bit rate of 24-bits. This device allows PC audio signals to be output to an amplifier or active speakers for users to enjoy the original true sound.

Furthermore the professional headphone output that accepts 6.3mm Headphone jacks will please professionals who need a more refined audio experience. The USB High End Audio Converter is an excellent tool for your PC audio entertainment.

- Sampling rate support 44.1, 48, 88.2, 96, and 192 kHz
- Supports 16/24-bit
- Supports Windows and MAC OS
- USB power supply
- Simultaneous output audio signal to the Optical, L/R and headphone formats
- ASIO driver and USB asynchronous mode support

P/N	Input Sampling Rate	Output Sampling Rate	Dolby Decoder	Video Bypass	Volume Control	Lip SYNC. Control
DCT-2	32 ~ 96 kHz	32 ~ 96 kHz	-	-	-	-
DCT-16	44.1 ~ 192 kHz	44.1 ~ 192 kHz	-	-	-	-

HDMI ARC to Analog Audio Converter

DCT-25



The DCT-25 is designed to extract the audio signal from an HDTV's HDMI ARC (Audio Return Channel) connection and convert it to an analog stereo signal, allowing the connection of an HDTV with HDMI-only output to non-HDMI equipped amplifiers, AV receivers or active speakers. It supports HDMI audio sampling rates up to 192 kHz and analog stereo (2-CH) audio output.

- Supports Digital to Analog audio Conversion (DAC)
- Extracts the HDMI audio signal from an HDTV's ARC connection and converts it to an Line-level analog stereo output
- Supports HDMI audio sampling rates up to 192 kHz
- Supports volume control from the TV's remote control via CEC function
- Plug and play, with no software required

P/N	Input Sampling Rate	Output Sampling Rate	Dolby Decoder	Video Bypass	Volume Control	Lip SYNC. Control
DCT-1	32 ~ 192 kHz	-	-	-	-	-
DCT-25	32 ~ 192 kHz	-	-	-	-	-

Coaxial/Optical Digital to Analog Audio Converter

DCT-3HP



The DCT-3HP Digital to Headphone Audio Converter is an easy to use device that converts and amplifies (200 mW Cap-Less) Coaxial or Optical digital audio into analog headphone audio. The device can switch between Coaxial or Optical sources and also has a convenient volume control.

- Supports up to 192 K/24-bit digital audio input (Coaxial/Optical)
- Supports 2 channel PCM from Coaxial/Optical input
- Built-in 200 mW Cap-Less Headphone amp
- Compact size and easy to install

DCT-3A



The Digital to Analog Audio Converter is an easy to use product that converts Coaxial or Optical audio signals into analog Stereo (R/L) audio. It can be easily switched between either Coaxial or Optical inputs. With its compact, elegant design and simple LED input status make it easier for users to connect up and use instantly.

- Supports digital audio input (Coaxial/Optical) and stereo analog audio output (R/L)
- Integrated digital interpolator filter and Digital to Analog Converter (DAC)
- Supports uncompressed digital stereo audio input
- Compact size and easy to install
- Supports S/PDIF 192 kHz at 24-bit data for conversion to left and right analog channels

P/N	Input Interface	Output Interface	Input Format	Output Format
DCT-3HP	1×TOSLink, 1×COAX	1×3.5mm Jack	LPCM 2CH	Analog 2CH
DCT-3A	1×TOSLink, 1×COAX	2×RCA	LPCM 2CH	Analog 2CH
DCT-3	1×TOSLink, 1×COAX	2×RCA	LPCM 2CH	Analog 2CH

USB/Optical to Optical/RCA Analog Audio Converter

DCT-15



USB/Optical input converts to Analog RCA R/L and Optical output. Ideal for connecting your computer your amplifier/sound system that has SPDIF inputs. R/L output jacks can be linked to a display or to speakers simultaneously for Stereo Analog Audio output.

P/N	Input Interface	Output Interface	Input Format	Output Format
DCT-15	1×Mini-USB, 1×TOSLink	2×RCA, 1×TOSLink	LPCM 2CH	Analog 2CH

USB to Analog Audio Center

DCT-24



P/N	Input Interface	Output Interface	Input Format	Output Format
DCT-24	1×3.5mm Jack, 2×RCA, 1×USB	1×6.3mm Jack, 2×RCA	LPCM 2CH Analog 2CH	Analog 2CH

DCT-3



The DCT-3 Digital to Analog Audio Converter is an easy to use device that converts Coaxial or Optical digital signal into analog L/R signal. The device can switch between Coaxial or Optical sources and support input sampling rate up to 96 kHz.

- Supports digital audio input (Coaxial/Optical) and analog audio output (R/L)
- Integrated digital interpolator filter and Digital to Analog Converter (DAC)
- Supports non-compression digital stereo audio input
- Compact size and easy to install
- Supports SPDIF 24 bits of data for the left and right channel

P/N	Input Sampling Rate	Output Sampling Rate	Dolby Decoder	Video Bypass	Volume Control	Lip SYNC. Control
DCT-3HP	32 ~ 192 kHz	-	-	-	Yes	-
DCT-3A	32 ~ 192 kHz	-	-	-	-	-
DCT-3	32 ~ 96 kHz	-	-	-	-	-

- Digital to analog audio conversion
- USB to audio conversion
- USB 2.0 compatible
- USB audio device class specification v1.0 Compatible
- USB High performance 16-bit Stereo, 48/44.1 kHz sampling rate for audio playback
- Optical sampling rate supports up to 192 kHz, 24bit
- USB used as Power Source (Power pack not included)
- Low power consumption

P/N	Input Sampling Rate	Output Sampling Rate	Dolby Decoder	Video Bypass	Volume Control	Lip SYNC. Control
DCT-15	44.1/48 kHz (USB) 32 ~ 192 kHz (TOSLink)	-	-	-	-	-

The DCT-24 allows multiple audio sources to be controlled, switched and outputted to a variety of audio equipment. With 3 audio inputs (USB, Line-level RCA and 3.5mm mini-jack and 2 audio outputs (Line-level RCA and 6.3mm headphone output) you can integrate and convert USB or analog stereo audio sources to Line-level output and 6.3mm headphone simultaneously.

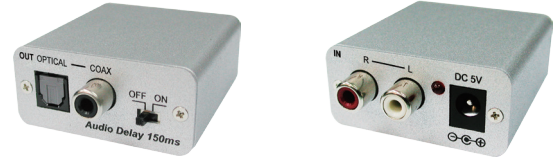
- Supports Digital to Analog audio Conversion (DAC)
- Supports USB sampling rate up to 192 kHz
- Simultaneous output on both Line out and 6.3mm headphone output
- Supports RS-232 control
- Compact design and easy to use
- Total Harmonic Distortion less than 100 dB (-20 dBFs)
- Volume control of analog and headphone outputs
- Direct power ON/OFF and mute button on unit
- Headphone output will fade out after system is muted
- 6.3 mm headphone output

P/N	Input Sampling Rate	Output Sampling Rate	Dolby Decoder	Video Bypass	Volume Control	Lip SYNC. Control
DCT-24	32 ~ 192 kHz	-	-	-	-	-

Analog to Coaxial/Optical Digital Audio Converter

DCT-4T

The DCT-4T Analog to Digital Audio Converter is designed to simultaneously convert analog audio signals from L/R input to Coaxial S/PDIF and Toslink Optical outputs with a selectable audio delay of 150 milliseconds. The digital audio output signal is a 2-CH uncompressed LPCM with a sampling rate of 48 kHz. Both Optical Fiber and Coaxial cables can run up to 5m from the device while still providing a reliable and lossless audio signal.



- Audio delay function provides either a 150-millisecond delay or no delay when outputting audio
- Supports uncompressed 2-CH LPCM digital audio output
- Output sampling rate of 48 KHz
- Provides electromagnetic-noise-free transmission

P/N	Input Interface	Output Interface	Input Format	Output Format
DCT-4T	2×RCA	1×TOSLink, 1×COAX	Analog 2CH	LPCM 2CH
DCT-4	2×RCA	1×TOSLink, 1×COAX	Analog 2CH	LPCM 2CH

Audio Splitter And Switcher

1×4 Optical Digital Audio Splitter

DCT-28

The DCT-28 can split and distribute a single optical digital audio input to up to four simultaneous optical digital outputs, allowing users to share one optical source to up to four optical sound systems. It's a simple and easy to use tool for distributing a single optical signal to multiple areas or devices.



- Supports one optical input and four optical outputs
- Supports LPCM 2CH audio signal and sampling rates up to 192 kHz
- Supports Dolby Digital and DTS 2/5.1CH audio signals bypass
- Supports S/PDIF sampling rates of 32 kHz to 192 kHz
- Low power consumption

P/N	Input Interface	Output Interface	Input Format	Output Format
DCT-28	1×TOSLink	4×TOSLink	Compressed 2/5.1CH LPCM 2CH	Compressed (Bypass) LPCM (Bypass)
DCT-17	4×TOSLink	1×TOSLink	Compressed 2/5.1CH LPCM 2CH	Compressed (Bypass) LPCM (Bypass)

1×2 Optical Digital Audio Splitter

DT-12

Digital Optical Audio Splitter is designed for the audio signal distribution from one digital optical input to two outputs, using TOSLink (Optical Fiber) cables. The Optical Fiber cables connected to both ends of the unit can run up to 5 meters while still provide reliable and lossless audio signal transmission. The product is compact and easy to install, and that makes it a very handy gadget recommended for either home or professional audio distribution.



- Supports S/PDIF standard of digital audio transmission
- Supports uncompressed 2-channel LPCM (Linear Pulse Code Modulation) audio signal

P/N	Input Interface	Output Interface	Input Format	Output Format
DT-12	1×TOSLink	2×TOSLink	Compressed 2/5.1CH LPCM 2CH	Compressed (Bypass) LPCM (Bypass)
DT-21	2×TOSLink	1×TOSLink	Compressed 2/5.1CH LPCM 2CH	Compressed (Bypass) LPCM (Bypass)

DCT-4

The DCT-4 Analog to Digital Audio Converter is designed to simultaneously convert analog stereo audio signals from L/R input to Coaxial S/PDIF and Toslink Optical outputs. The output digital audio signal is a 2-CH uncompressed LPCM with a sampling rate of 48 KHz. Both Fiber Optic and Coaxial cables connected to the output ports of the unit can run up to 5 meters while still providing a reliable and lossless audio signal transmission.



- Supports uncompressed 2-CH LPCM digital audio output
- Output sampling rate of 48 kHz
- Provides electromagnetic-noise-free transmission

P/N	Input Sampling Rate	Output Sampling Rate	Dolby Decoder	Video Bypass	Volume Control	Lip SYNC. Control
DCT-4T	-	48 kHz	-	-	-	-
DCT-4	-	48 kHz	-	-	-	-

4×1 Optical Digital Audio Switcher with IR Remote Control

DCT-17

The DCT-17 is a device with four optical inputs and one optical output. This device allows users with multiple optical sources to connect for one output display while all signals can bypass without delay. The device has a built in last memory function and IR remote control which provides a more users friendly operating experience.



- Optical sampling rate supports up to 192 kHz
- Low power consumption
- Up to 24 bit resolution

P/N	Input Sampling Rate	Output Sampling Rate	Dolby Decoder	Video Bypass	Volume Control	Lip SYNC. Control
DCT-28	32 ~ 192 kHz	32 ~ 192 kHz	-	-	-	-
DCT-17	32 ~ 192 kHz	32 ~ 192 kHz	-	-	-	-

2×1 Optical Digital Audio Switcher

DT-21

Digital Optical Audio Switcher is designed for the audio signal selection from two digital optical inputs to one output, using TOSLink (Optical Fiber) cables. The Optical Fiber cables connected to both ends of the unit can run up to 5 meters while still provide reliable and lossless audio signal transmission. The product is compact and easy to install, and that makes it a very handy gadget recommended for either home or professional audio switching.



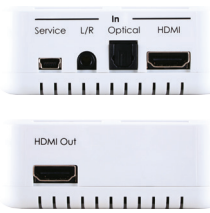
- Supports compressed 2-channel and multi-channel Dolby and DTS audio signal
- Provides electromagnetic-noise-free transmission

P/N	Input Sampling Rate	Output Sampling Rate	Dolby Decoder	Video Bypass	Volume Control	Lip SYNC. Control
DT-12	32 ~ 96 kHz	32 ~ 96 kHz	-	-	-	-
DT-21	32 ~ 96 kHz	32 ~ 96 kHz	-	-	-	-

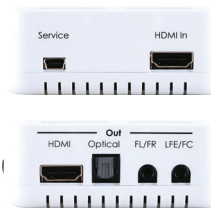
Audio Inserter And Extractor

HDMI Audio Inserter And Extractor with 4K UHD

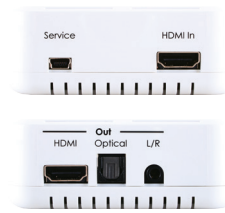
CPRO-11SI



CPRO-11SE8



CPRO-11SE2



The CPRO-11SI allows an external audio signal to be inserted into your HDMI or DVI (with an HDMI to DVI adaptor) signal path. The unit allows you to insert analog stereo or multi-channel surround sound (via the digital optical input) giving you the flexibility to add your choice of audio to the video while extending your HDMI signal. It also has the added benefit of 4Kx2K and 3D support, allowing full resolution video and eliminating the need to downscale the image.

- Compliant with HDMI, HDCP 1.2 and DVI 1.0
- Supports 4Kx2K resolution and 3D signals
- HDMI supports high-bit-rate (HBR) audio
- Supports HDMI audio sampling rates up to 192 kHz
- Supports Optical S/PDIF audio sampling rates up to 192 kHz
- Supports selection of original HDMI audio or embedding of external digital or analog audio into HDMI signal pathway
- Supports maximum input and output HDMI cable lengths of up to 15 meters each at 1080p/8-bit resolution or 10 meters each at 1080p/12-bit resolution
- Supports CEC bypass
- Supports DVI conversion with HDMI to DVI adaptor

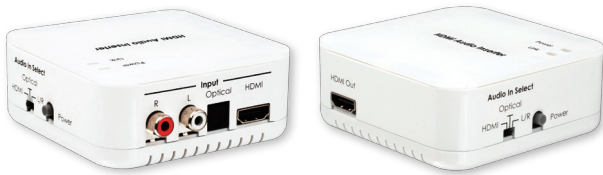
The CPRO-11SE8/CPRO-11SE2 allows you to de-embed the audio signal from an HDMI source and output it. With this Audio Extractor you can take your original HDMI audio signal and convert it to digital optical or multi-channel analog audio, allowing you to output your audio signal to an external multichannel audio system or to extend your audio signal pathway. It also has the added benefit of 4Kx2K and 3D support, allowing full resolution video and eliminating the need to downscale the image.

- Compliant with HDMI, HDCP 1.2 and DVI 1.0
- Supports 4Kx2K resolution and 3D signals
- HDMI supports high-bit-rate (HBR) audio
- Supports HDMI audio sampling rates up to 192 kHz
- Supports Optical S/PDIF audio sampling rates up to 192 kHz
- No HDMI output connection is required for analog or optical audio output
- 11SE8 supports 4 sets of 3.5mm mini-jack sockets for analog multi-channel audio and Optical S/PDIF digital audio outputs
- 11SE2 supports analog stereo L/R and Optical S/PDIF digital audio outputs
- Supports built-in audio EDID switching between LPCM 2CH/7.1CH, TV (external) EDID or Bitstream audio formats

P/N	Input Interface	Output Interface	Input Format	Output Format
CPRO-11SI	1xHDMI, 1xTOSLink, 1x3.5mm Jack	1xHDMI	Compressed 2/7.1CH LPCM 2/7.1CH Analog 2CH	Compressed (Bypass) LPCM (Bypass) LPCM 2CH
CPRO-11SE8	1xHDMI	1xHDMI, 1xTOSLink, 4x3.5mm Jack	Compressed 2/7.1CH LPCM 2/7.1CH	Compressed (Bypass) LPCM (Bypass) Analog 8CH
CPRO-11SE2	1xHDMI	1xHDMI, 1xTOSLink, 1x3.5mm Jack	Compressed 2/7.1CH LPCM 2/7.1CH	Compressed (Bypass) LPCM (Bypass) Analog 2CH
CLUX-11CA	1xHDMI, 1xTOSLink, 2xRCA	1xHDMI	Compressed 2/7.1CH LPCM 2/7.1CH Analog 2CH	Compressed (Bypass) LPCM (Bypass) LPCM 2CH
CLUX-11CD	1xHDMI	1xHDMI, 1xTOSLink, 2xRCA	Compressed 2/7.1CH LPCM 2/7.1CH	Compressed (Bypass) LPCM (Bypass) Analog 2CH
CLUX-11HB	1xTOSLink, 2xRCA	1xHDMI	Compressed 2/5.1CH Analog 2CH	Compressed (Bypass) LPCM 2CH

HDMI Audio Inserter and Extractor

CLUX-11CA



The HDMI Audio Inserter is a device that lets you insert an external audio signal into your HDMI/DVI source. The device allows you to insert stereo and multi-channel surround sound signals to give users the capability to select their favorite audio formats while extending your audio signal, then the HDMI Audio Inserter is the perfect choice.

- Supports HDMI Sample Rates up to 192 kHz
- Supports Optical Sample Rate up to 48 kHz
- Supports TMDS clock frequency rate 225 MHz
- Supports high-bit-rate (HBR) audio
- HDMI cable distance test with 1080p 8/12-bit resolution, the input & output can run up to 10 meters
- Supports 3D signal

CLUX-11CD



The HDMI Audio Extractor allows you to extract audio signals from your HDMI source. When connecting to a TV or display you don't always get the best audio, or in the case of a PC monitor, no audio at all. So with this Audio Extractor you can take your original HDMI audio signal and convert it to digital optical or analog Stereo (L/R) audio. This means that you can output your audio signal to external speakers or extend your audio signal pathway.

- Supports HDMI sampling rates up to 192 kHz
- Supports Optical sampling rates up to 48 kHz
- Supports TMDS clock frequency rate 225 MHz
- Supports high-bit-rate (HBR) audio
- No HDMI output connection is required to receive audio at the analog and optical outputs
- Maximum input and output HDMI cable length can run up to 15 meters at 1080p at 8-bit resolution
- Supports built-in audio EDID switching among LPCM 2CH, TV (external) EDID and Bitstream audio
- Supports 3D signal

Digital/Analog Audio to HDMI Bridge

CLUX-11HB

The CLUX-11HB is designed to convert analog or digital audio signals into an HDMI output, allowing easy integration of audio only sources with HDMI distribution systems. This device adds a 'blue-screen' video feed with a simple On-screen Display (OSD) that shows the current audio input so that any HDMI AV Receiver, display or matrix will accept the audio signal. It supports digital audio sampling rates up to 192 kHz and analog stereo audio digitalized to sampling rate of 48 kHz.



- Supports Analog to Digital audio Conversion (ADC)
- Supports optical digital audio sampling rates of 32 kHz to 192 kHz and audio format of LPCM 2CH

- Converts analog stereo (L/R) audio to digital format with sampling rate of 48 kHz
- Plug and play, with no software required

P/N	Input Sampling Rate	Output Sampling Rate	Dolby Decoder	Video Bypass	Volume Control	Lip SYNC. Control
CPRO-11SI	32 ~ 192 kHz	32 ~ 192 kHz	-	Yes	-	-
CPRO-11SEB	32 ~ 192 kHz	32 ~ 192 kHz	-	Yes	-	-
CPRO-11SE2	32 ~ 192 kHz	32 ~ 192 kHz	-	Yes	-	-
CLUX-11CA	32 ~ 192 kHz (HDMI) 32 ~ 48 kHz (TOSLink)	32 ~ 192 kHz	-	Yes	-	-
CLUX-11CD	32 ~ 192 kHz	32 ~ 192 kHz (HDMI) 32 ~ 48 kHz (TOSLink)	-	Yes	-	-
CLUX-11HB	32 ~ 192 kHz	32 ~ 192 kHz	-	-	-	-

Other Audio Processor

RCA Lip Sync Corrector

DCT-18



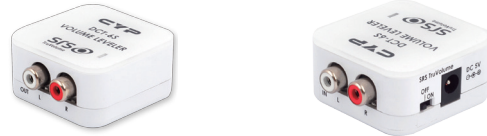
The L/R In-Out Lip SYNC Corrector is a compact device that corrects audio delays between audio and video. When distributing video over long distances through multiple devices like distribution amplifiers and set top boxes there can sometimes be a noticeable delay which results in audio being played before the video.

This gadget lets you manually adjust the audio delay from 0 ~300 ms so you can perfectly synchronize your audio and video, so when it reaches the display your media is synched and ready to go.

- Sample Rates 48 kHz
- Analog to analog signal bypass
- Low power consumption
- Up to 24 bit resolution

RCA Volume Leveller

DCT-6S



The Cypress Volume Leveler incorporating SRS TruVolume™ technology regulates TV channel volume to your preferred listening level and prevents annoying fluctuations that occur when channel surfing as well as taming those obnoxious commercials. It also lets you hear everything you've been missing by giving you a crystal clear audio experience!

- Supports Line Level inputs up to 2Vrms and Line Level outputs up to 1Vrms via stereo RCA jacks
- Regulates TV/Satellite/Radio broadcast volume levels, so you don't have to constantly adjust them when changing channels
- Connects between your TV/Stereo/Soundbar/HTiB/AVR and cable box, to your DVD/Blue Ray player, DVR/PVR/ TiVo® or Satellite Receiver
- Powered via external universal AC/DC adapter
- Boosts low and high-frequency content (20-bands/ch)

P/N	Input Interface	Output Interface	Input Format	Output Format
DCT-18	2×RCA	2×RCA	Analog 2CH	Analog 2CH
DCT-6S	2×RCA	2×RCA	Analog 2CH	Analog 2CH
DCT-8S	1×HDMI	1×HDMI	LPCM 2CH	LPCM 2CH
DCT-11S	1×SCART	1×SCART, 2×RCA	Analog 2CH	Analog 2CH

Multi-Channel AV Amplifier

CPRO-AVR1

The traditionally bulk and large amplifier is transforming into a new era with the newly formed light and full functions design. Instead of taking over a size of small TV's space this new amplifier only needs the space of a lunch box. Also, the installation & operation steps are becoming much user friendly with the OSD and remote control. The multichannel AV amplifier is made with high efficiency design and is compliant with HDMI 1.4's specification of ARC function and supports 3D display, these allows users to enjoy high quality true sound with no delay and real 3D display with true colors.



- Audio Return Channel (ARC)
- Deep Color support 36/30/24-bit, 1080p@60Hz
- Built-in HDMI EDID simulator and HDCP keyset allows each output to work independently in connecting to a HDMI display
- Support CEC bypass and HDCP repeater
- HDMI output with xvYCC to RGB color space design
- HDMI 1.4 compatible audio interface
- Dedicated, flexible audio input/output port
- Full audio input and output support
- Audio sampling rate up to 192 kHz

- PCM 2.0, 5.1 & 7.1 and Dolby Digital 2.0 & 5.1, Dolby Pro Logic II (Optional)
- Supports different audio sound mode (Jazz/music/ Speech/Concert/Movie)
- Supports Speaker Setting (Speaker Size, Speaker Level +/- 10dB, Speaker Distance 0~10M)
- Elegant compact design and streamline shape, excellent performance and decoration
- Supports thermal dispensation
- User friendly and user operating OSD menu overlay with TV and big size Graphic LCD display

P/N	Input Interface	Output Interface	Input Format	Output Format
CPRO-AVR1	4×HDMI, 1×COAX, 8×RCA	1×HDMI 7×Speaker Spring Clip 1×SUB Out	Compressed 2/5.1CH LPCM 2/7.1CH Analog 2/7.1CH	Compressed (Bypass) LPCM (Bypass) Analog 2/7.1CH
CPRO-A1	3×HDMI, 1×TOSLink, 1×COAX, 8×RCA	1×HDMI 7×Speaker 1×SUB Out	Compressed 2/5.1CH LPCM 2/7.1CH Analog 2/7.1CH	Compressed (Bypass) LPCM (Bypass) Analog 2/7.1CH

HDMI Volume Leveller

DCT-8S



The DCT-8S SRS Volume Leveller is an advanced HDMI™ to HDMI audio repeater and decoder that incorporates SRS TruVolume™ technology. This device, which prevents annoying fluctuations during commercials or bursting sounds from action scenes always maintains a perfect volume level. The DCT-8S SRS TruVolume Leveller is the best choice for maintaining a perfect volume level.

- Supports HDMI with Deep Color, HDCP 1.1 and DVI 1.0
- Supports HD input/output up to 1080p@24/60 Hz
- Supports HDMI signal amplification and equalization
- Supports 2 channel HDMI audio input to HDMI output
- Integrated HDCP encryption
- Supports CEC bypass
- Regulates and automatically adjusts the volume level of TV/Satellite/Radio broadcasts
- Dynamically boosts low/high frequencies

P/N	Input Sampling Rate	Output Sampling Rate	Dolby Decoder	Video Bypass	Volume Control	Lip SYNC. Control
DCT-18	-	-	-	-	-	Yes
DCT-6S	-	-	-	-	Leveler	-
DCT-8S	32 ~ 48 kHz	32 ~ 48 kHz	-	Yes	Leveler	-
DCT-11S	-	-	-	Yes	Leveler	-

SCART Volume Leveller

DCT-11S



The SCART to SCART audio volume processor incorporates SRS TruVolume™ technology that will free you from volume fluctuations when switching TV channels. This device prevents annoying fluctuations from commercials or bursting sounds during action scenes. It always maintains a good volume level, never letting you miss any sounds during quiet conversations or light music.

- Supports 2-CH audio from SCART input to SCART output
- Supports line level inputs up to 2Vrms and line level output up to 1Vrms
- Regulates TV / Satellite / Radio broadcast volume level
- Adjusts volume to your preferred hearing level
- An advanced psychoacoustic modeling engine dynamically boosts low and high-frequency content
- SCART video input is looped through to the SCART output

Sound Bar

CPRO-A1

As we advance we are able to create some amazing pieces of technology, one of those creations is the CPRO-A1 Sound Bar. With its sleek, modern design that includes built in speakers, this Sound Bar is superior to most thanks to its numerous new features and compact design. HDMI™ compliant and supporting 7.1 channel surround sound the CPRO-A1 Sound Bar is a single piece speaker system designed so you can enjoy high quality surround sound without going through the hassle of a multi-speaker setup. The CPRO-A1 Sound Bar, makes your entertainment world complete.



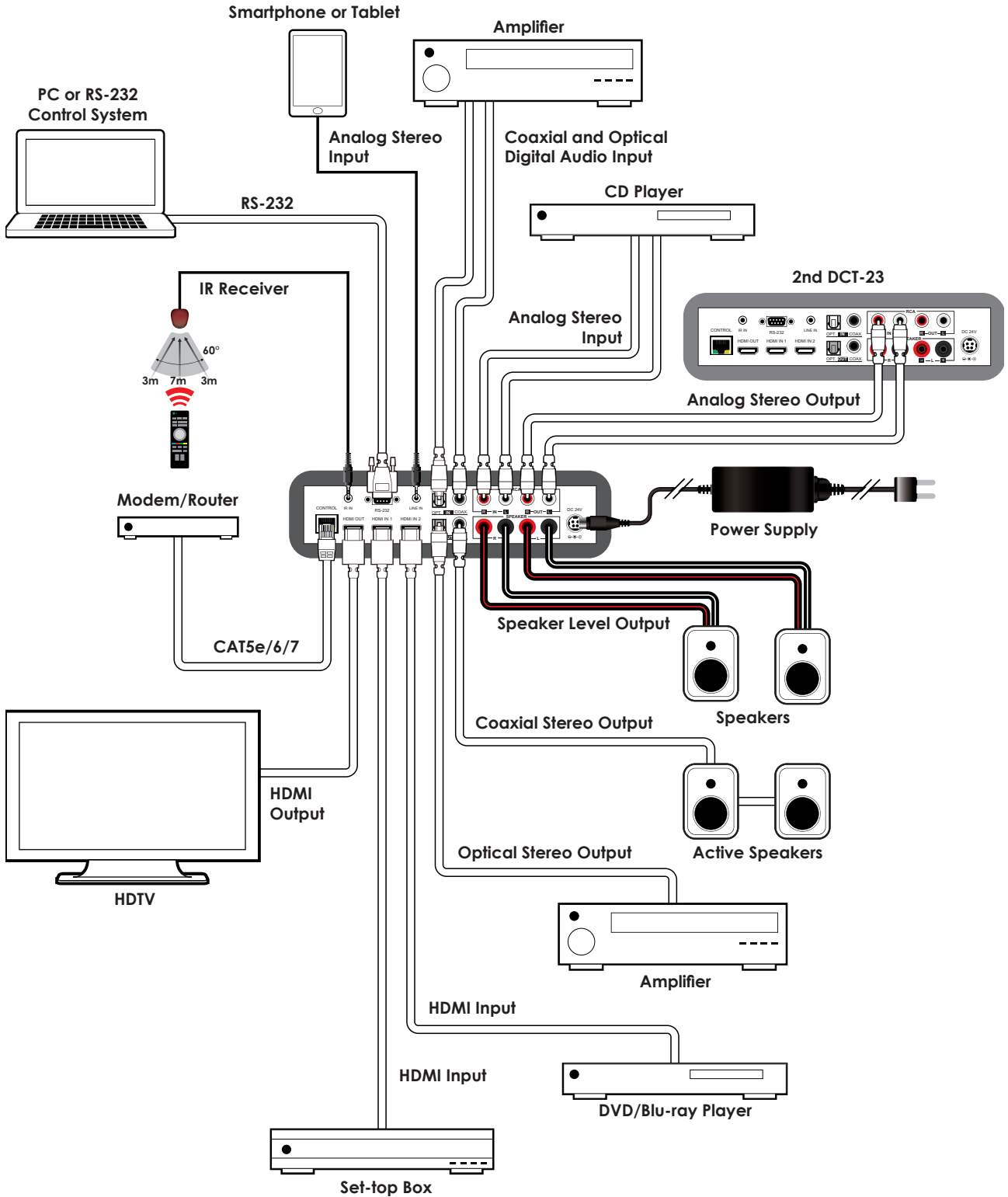
- HD Sound Theater Technology
- HDCP 1.4 and CEC1.4 compliant
- PCM 2.0, 5.0 & 7.1, Dolby Digital 2.0 & 5.1 (Optional)
- Audio Return Channel (ARC)
- Support CEC bypass and HDCP repeater
- HDMI compatible audio interface
- Dedicated, flexible audio input/output port
- HDMI output with xvYCC to RGB color space design
- HDMI compatible audio interface
- Dedicated, flexible audio input/output port
- Full audio input and output support
- Audio sampling rate up to 192 kHz

- Support I-POD Dock (Video/Audio input & HDMI OUT)
- Supports different audio sound modes (Jazz/Music/ Speech/Concert/Movie) with a flexible Subwoofer setting (internal or external)
- Includes a built-in HDMI EDID simulator and HDCP keyset which allows independent audio source selection
- Fast switching on all HDMI input ports in less than 1 second
- Deep Color support 36/30/24-bit, 1080p@60Hz
- Supports Audio Channel Level +/- 10dB)
- Easy to install and operate
- User friendly OSD menu and LCD display

P/N	Input Sampling Rate	Output Sampling Rate	Dolby Decoder	Video Bypass	Volume Control	Lip SYNC. Control
CPRO-AVR1	32 ~ 192 kHz (HDMI) 32 ~ 96 kHz (COAX)	32 ~ 192 kHz	-	Yes	Yes	-
CPRO-A1	32 ~ 192 kHz (HDMI) 32 ~ 96 kHz (TOSLink/COAX)	32 ~ 192 kHz	-	Yes	Yes	-

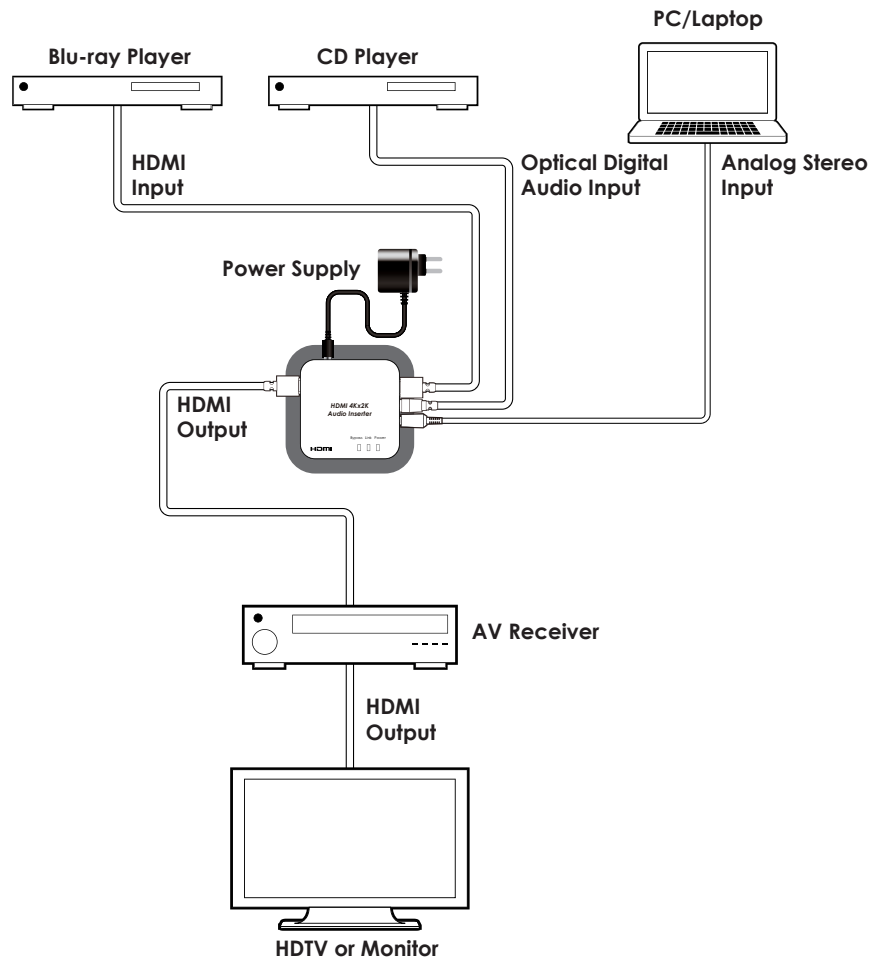
Connection Diagram

► DCT-23



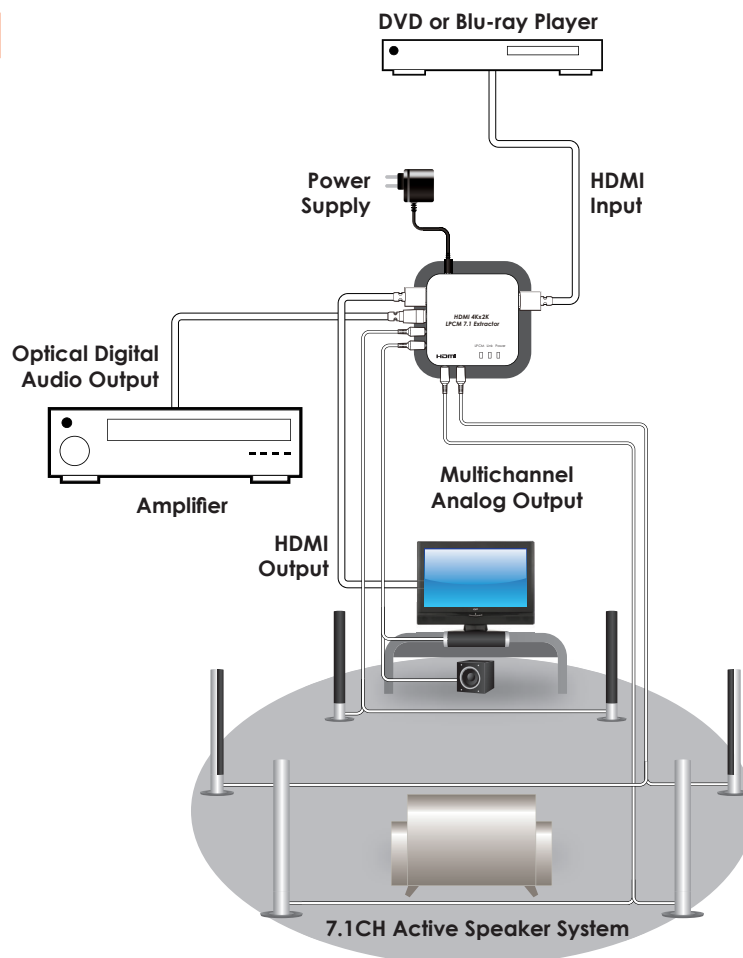
Connection Diagram

► CPRO-11SI



Connection Diagram

► CPRO-11SE8



LED Display

60" / 55" / 47" / 42" Super Slim Frame LED Video Wall

CVW-60S / CVW-55S / CVW-47SDI2

- Supports 2x2, 3x3, 4x4, and 5x5 video wall settings
- Supports MxN (such as 2x3 or 1x3) video wall settings
- Built-in frame-shifting feature for the optimization of video display
- Supports OSD (On Screen Display) operation
- Supports both HDMI and SDI interfaces
- Versatile applications - department stores, chain stores, stock broker lobbies, airport, train / bus stations, and other digital signage installation



LCD Display

47" / 42" Full HD LCD Video Wall

CVW-47LG2 / CVW-42AK2 / CVM-42AU2

- Supports 2x2, 3x3, 4x4, and 5x5 video wall settings
- Supports MxN (such as 2x3 or 1x3) video wall settings
- Built-in frame-shifting feature for the optimization of video display
- Supports OSD (On Screen Display) operation
- Rack mount kit (optional) available for setup
- Built-in PC software (customizable) for display control and scenario swapping
- HDMI matrix is recommended for source management



Video Wall Controller

Multi-Screen Video Wall Controller

CVW-11HS

The CVW-11HS allows users to display HDMI or PC sources to multiple LCD monitors, while thanks to the built-in RS-232 control you are able to fully customize the LCD panels giving you complete control over 2x2, 3x3, 4x4 and 5x5 video walls.

The CVW-11HS has a built-in PC to HDMI scaler, which allows the inputted PC video signal to be integrated and converted to a digital HDMI signal output to the video wall. There is a pair of additional audio L/R RCA connectors for the user to output analog audio (de-embedded from the HDMI source, or routed from the analog audio input) to local speakers.



- Supports 6 or more video wall combinations of HxV
- Supports both HDMI and PC (with audio) sources
- Resolution support up to 1080p Full HD
- Uses RS-232 cables to cascade to each connected device to remotely control each monitor with a single setting
- Supports external IR receiver for IR remote control



- Rack mount kit (optional) available for setup
- Built-in PC software (customizable) for display control and scenario swapping
- HDMI or SDI matrix products are recommended for source management

Multi-Input LCD Display

CVM-22C



The CVM-22C has HDMI, PC, Component, Composite Video and two SDI inputs. This high performance LCD display supports input resolution up to 1080p /WUXGA (RB) and analog audio output via built-in stereo speakers. Further, with OSD and on-panel controls that makes whole for this Multi-input LCD Display a friendly using device.

- Supports multi AV inputs to Full HD display resolution
- Supports EDID and HDCP
- Supports 3D de-interlace, noise reduction and comb filter

RS-232 Level Shift Board

CDB-5

The CDB-5 is designed to adjust control commands between PCs and control devices, including TV Wall systems. The PC protocol is converted so that it is readable by the control device to ensure it executes the exact command action.

- Baud Rate testing
- RS-232 command configuration



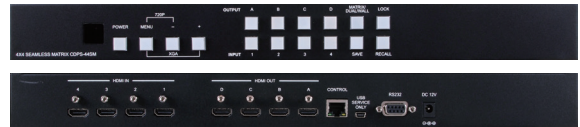
Video Wall Quad Processor

4x4 HDMI Seamless Quad Video Matrix

CDPS-44SM

The CDPS-44SM Matrix is an advanced 4 Way HDMI switch with integrated multi-view POP (Picture -out-of Picture) technology. This plug and play solution offers advanced control and display options for the integration of 4 sources onto 4 displays. It provides 3 output modes, Matrix, Dual and TV Wall. Matrix mode can route and switch just like a normal matrix, the Dual mode allows 2 sets of 2 selected sources to be displayed in a POP configuration and the TV Wall mode displays a selected source over 4 displays as if it were a single video image.

- HDMI, HDCP1.1 and DVI compliant
- Supports Deep Color 8/10/12-bit
- Seamless switching of HDMI sources
- Supports three different display modes: Matrix, Dual, and Video Wall
- Supports control via On-screen Display (OSD), RS232, Telnet (IP), IR Remote control and on-panel controls
- Supports Input resolutions of VGA to WUXGA (RB) and 480i to 1080p
- Supports Output resolutions of 480p~1080p
- Supports different input resolution and output resolution selectable from the OSD menu
- Supports high definition Audio formats: LPCM 2CH/6CH/8CH, Dolby Digital, DTS, Dolby Digital Plus, Dolby TrueHD and DTSHD Master Audio



Digital Video Recorder

9-Channel HD Digital Video Recorder

CP-MHMR921

The CP-MHMR921 is an HDMI to HDMI digital video recorder supporting the transmission of video (up to 1080p Full HD) from nine HDMI input sources to single HDMI equipped display. With the improved capability of processing HDMI signal, the device allows users for greater integration in surveillance system.

- Connects up to nine HDMI sources and switches to single HDMI display
- Resolution supports up to 1080p@60 Hz
- Previews any of the nine sources via on-panel button directly
- Records high-definition video and saves in H.264 video format
- 2 TB HDD storage space for standard version



4×1 HDMI Seamless Quad Video Switcher

CDPS-41SQ

The CDPS-41SQ Switcher is an advanced HDMI switch with integrated Picture-in-Picture (PIP) technology that can be easily configured and controlled. It allows 4 different sources to be selected and arranged on a single display and supports video resolutions up to 1080p and audio up to 8CH 192kHz. Preset hot keys and IR and RS-232/Telnet support allows instant control and switching.

- Integration of 4 HDMI sources to a single display or video wall system
- Seamless switching of HDMI channels and windows
- Supports individual channel size and position adjustments
- Zoom, shrink and overlay the source channels
- Fade-In/Fade-Out, Chromakey, Mirror and Rotation (90° left/right and 180° up or down) functions
- Supports Picture-in-Picture (PIP), Picture-out-of-Picture (POP) and multi-window display
- 8 sets of screen setting hot keys
- Supports OSD, RS-232, Telnet, Remote and on-panel controls
- Save and recall up to 4 customizable favorite screen arrangements



High Definition Quad Video Processor

CP-MHD421

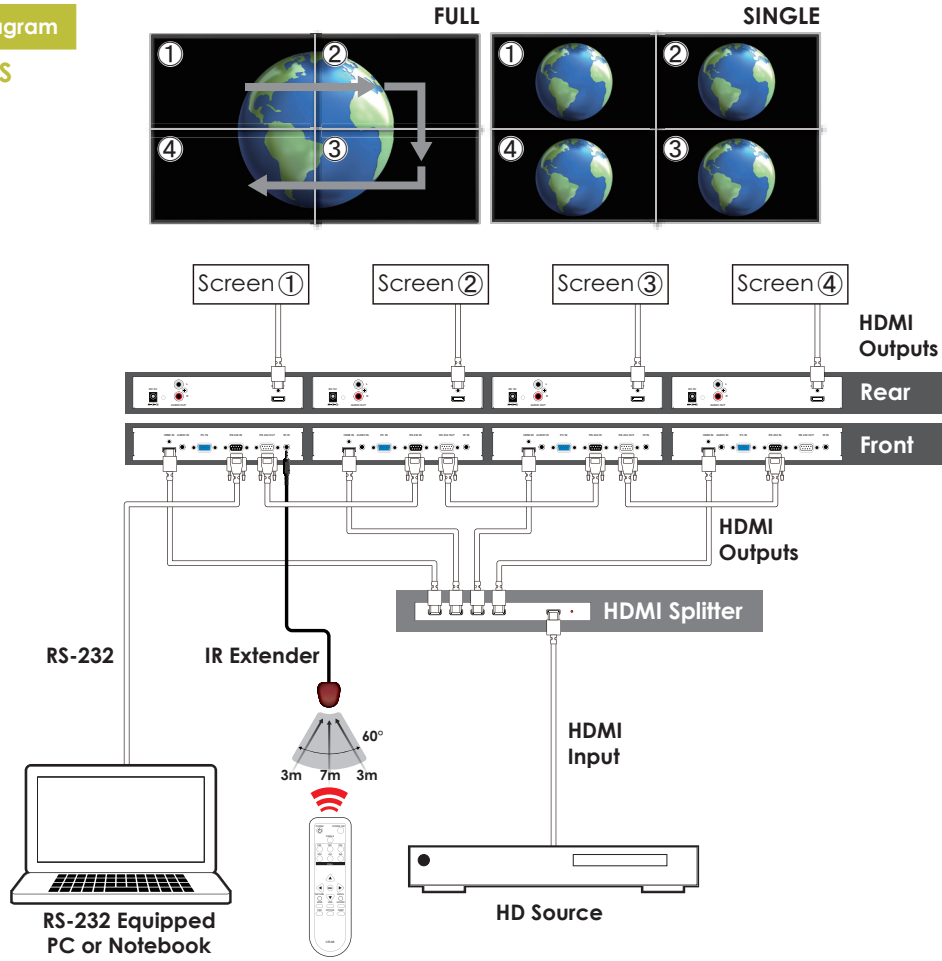
The CP-MHD421 can take in HDMI High Definition video signals from four input sources and compress them into single QUAD video output to be shown a HDTV or PC display. Ideal for security, surgery or conference systems, with up to 4 HDMI cameras supported, the device can provide surveillance and video recording features over multiple monitored areas.

- Supports up to 4 HDMI cameras
- Supports input/output resolution up to 1080p
- Supports integrated hard disk for video recording
- PC software included, for signal adjustment and management



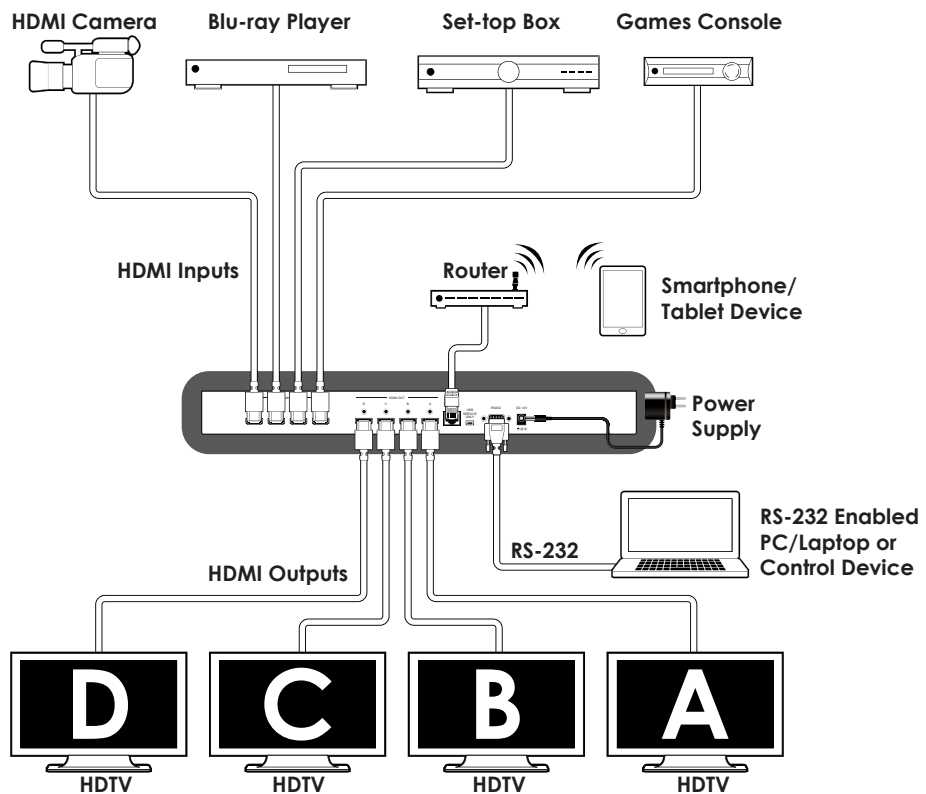
Connection Diagram

► CVW-11HS



Connection Diagram

► CDPS-44SM

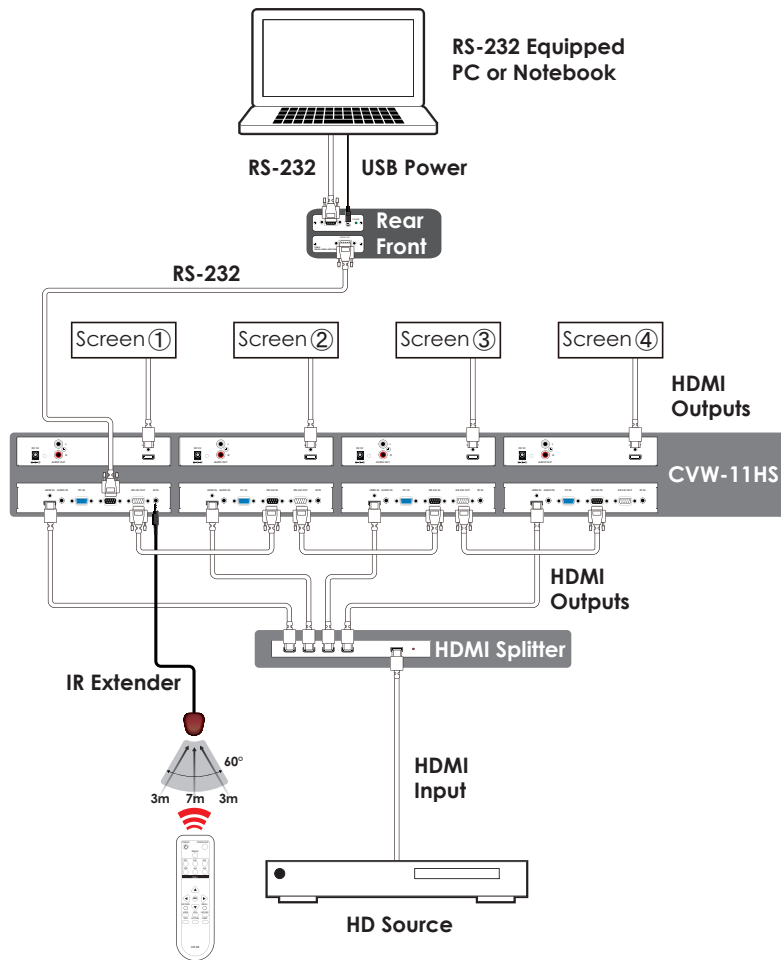


Screen Configurations:



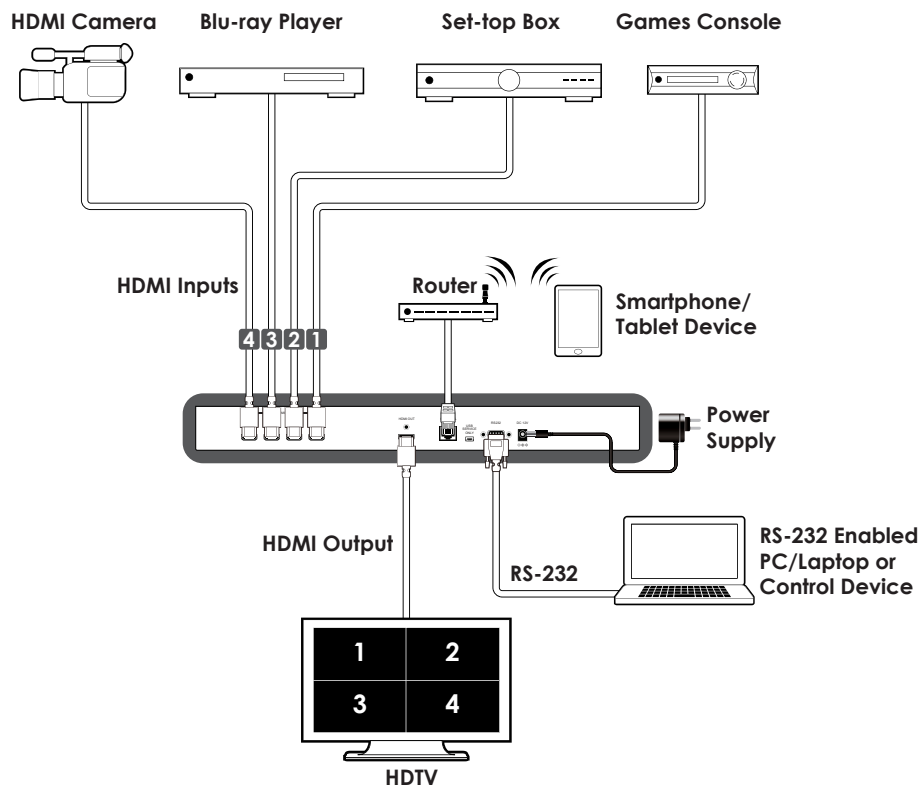
Connection Diagram

► CDB-5



Connection Diagram

► CDPS-41SQ



Screen Configurations:



Digital/Analog Generator And Analyzer

HDMI/PC/Audio Generator and Analyzer

CPHD-3A



The CPHD-3A is an advanced device for testing your audio and video signals. It boasts HDMI, Optical and 7.1 Analog inputs and outputs as well as a PC/YUV and Coaxial output. With 40 built-in resolution timings and 51 test patterns for testing both analog and digital signals, this pattern generator provides over a thousand types of test patterns. HDCP and EDID data can be analyzed to confirm configurations and provide test data for complex HD systems. This device can be controlled via the front panel buttons or through the IR remote and results viewed on the LCM.

- HDMI, HDCP 1.1 and DVI 1.0 compliant
- Provides 40 resolution timings and 51 test patterns
- Timings include SD, HD up to 1080p, PC up to UXGA/WUXGA (Reduced Blanking Pixel Rate at 154 mHz)
- Graphic Tests and Data Analysis patterns included
- Outputs HDMI/DVI, or analog PC/HD (component)
- Supported color formats include RGB444, YCbCr444 and YCbCr422
- Deep color support up to 8/10/12-bit
- Selectable audio source from 7.1CH, optical or internal sine wave generator
- Internal sinewave LPCM channel is selectable from 2CH, 5.1CH and 7.1CH
- Supports the following tests and analysis: HDCP, EDID, HDMI/DVI
- Has an Auto-run setting
- Choose between different timings and patterns through RS-232 commands using the easily downloadable software and a user friendly interface that utilizes the LCM, LED indicators, IR remote and RS-232 remote commands

P/N	Pattern Interface	TV Timings	PC Timings	PC Software
CPHD-3A	HDMI/PC/TOSLink/COAX	480i ~ 1080p@24/50/60 8/10/12-bit	VGA ~ WUXGA (RB)	Yes
CPHD-1	HDMI	480i ~ 1080p@24/50/60 8-bit	VGA ~ WUXGA (RB)	Yes

Mini HDMI 3D Analyzer

CH-A1



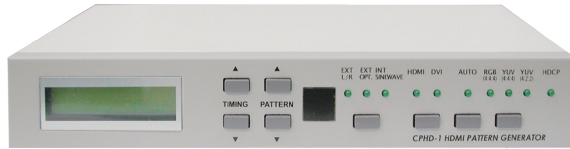
The CH-A1 is a tool for checking both source (Blu-ray or DVD players) and display devices (TV or monitors). With touch button controls and built-in OLED display it can show the status and information of both the input and output devices connected to it by HDMI.

The analyzer can be used to analyze the input source device info-frame and output sink device EDID. It also has a built-in pattern generator that can be used to test the capabilities of the output device including 3D and resolution/timing support.

P/N	Pattern Interface	TV Timings	PC Timings	PC Software
CH-A1	HDMI	480i ~ 1080p@24/50/60 8/10/12-bit	VGA ~ WUXGA (RB*)	-

HDMI Pattern Generator

CPHD-1



Cypress HDMI Pattern Generator is a handy tool for evaluation and testing of displays/panels. With the combination of its various timings, patterns and color spaces, CPHD-1 can provide up to 4095 types of video testing signals. Besides video patterns, the generator also supports 3 types of audio testing signal, one built-in shine wave, one external analog audio, and one external digital audio input through S/PDIF.

The control over CPHD-1 is simple yet comprehensive, as you can use the on-panel buttons or remote controller to select from the timings, patterns, color spaces, DVI/HDMI output, and audio signal type, while you can also choose to use the bundled Windows software application to perform advanced control, such like timing/pattern programming, EDID reading and writing.

- Provides total 39 Timings and 39 Patterns
- Supports HDCP signal verification pattern (P39)
- On-panel LED display and LED indicators
- Remote control
- Supports RS-232 control, specific PC application please download from website

P/N	Video Timings/Patterns	Audio Patterns	3D Pattern	External Pattern	EDID / HDCP / ARC / CEC Analysis			
CPHD-3A	39/51 (HDMI) 22/51 (PC)	Multi-CH 48 kHz (Internal) 32 ~ 192 kHz (External)	-	HDMI/TOSLink/8×RCA	Yes	Yes	-	-
CPHD-1	39/39	Multi-CH 48 kHz (Internal) 32 ~ 192 kHz (External)	-	HDMI/TOSLink/2×RCA	Yes	Yes	-	-

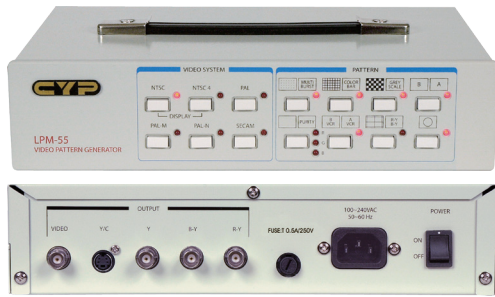
- Supports Timing include SD, HD up to 1080p, PC up to WUXGA and 3D
- Provides 25 timings, 6 patterns and 1 pattern for 3D timing
- 'Deep color' video support (up to 12-bit, 1080p@60 Hz)
- Supports input signal bypass, digital video formats in 'Deep Color' Mode up to 36-bit (12-bit/color) and new lossless compressed digital audio (Dolby TrueHD, Dolby Digital Plus and DTS-HD Master Audio)

- Supports internal pattern audio LPCM 2CH 48/96/192 kHz, LPCM 5.1CH 48/96 kHz, LPCM 7.1CH 48/96 kHz
- Analyze the input source info-frame and output sink EDID information
- Touch button control function
- OLED display shows Input/Output timing information
- Supports ARC (Audio Return Channel)
- Supports 'Deep Color' (8/10/12-bit) output
- Supports HDCP repeater function
- Supports CEC bypass

P/N	Video Timings/Patterns	Audio Patterns	3D Pattern	External Pattern	EDID / HDCP / ARC / CEC Analysis			
CH-A1	25/6	48/96/192 kHz (2CH) 48/96 kHz (Multi-CH)	Frame Packing Side-by-Side (Half) Top-and-Bottom	HDMI	Yes	-	Yes	Yes

Multi-System Video Pattern Generator

LPM-55



The LPM-55, offering you hundreds of sophisticated TV testing patterns in multi-system, is ideal for use in factory production, R&D, repair, etc.

- Built-in On Screen Display indicates the TV system of the output pattern
- Fourteen basic test patterns are provided, which include Circle, 8-step Grey Scale, 16-step Grey Scale, Color Bar, Multi-burst, Color Difference R-Y, B-Y, Moving white
- Field, White Pattern, Checkerboard, Crosshatch, Dots, Centre Cross, and Purity
- More than 100 different test patterns are available in a combination of 14 patterns

P/N	Pattern Interface	TV Timings	PC Timings	PC Software
LPM-55	Component/CV/SV	NTSC 3.58/NTSC 4.43/PAL/PAL-M/PAL-N/SECAM	-	-

HDMI Video Pattern Generator

CPA-4



- HDMI v1.2, HDCP1.1 and DVI1.0 compliant
- HDMI frequency bandwidth supports 1.65Gbps (single link)
- Output resolutions support PC VGA60 / SVGA60 / XGA60 / SXGA60 / UXGA60 / WUXGA60 and HD 576p50 / 480p60 / 720p50 / 720p60 / 1080p50 / 1080p60
- Supports output signal (DVI/HDMI) auto detect
- Supports 8 Groups with 36 patterns
- Audio sources support internal 1 kHz Sinewave 48kHz sampling rate or external optical input
- HDMI audio output supports from internal 1KHz Sinewave and converted to 8 channels LPCM, 48 KHz Sampling rate or from external optical input
- EDID supports VESA EDID 1.3 and EIA/CEA 861 Version 3

P/N	Pattern Interface	TV Timings	PC Timings	PC Software
CPA-4	HDMI	480p ~ 1080p (No interlaced timings)	VGA ~ WUXGA (RB)	-
CPA-2	DVI	480p ~ 1080i	VGA ~ SXGA	-
CPA-1	PC/Component	480p ~ 1080i	VGA ~ SXGA	-

Other Equipment

Wi-Fi to TV Smart Player

CWF-901SP / CWF-901

The WiFi Smart Player to TV can send video/audio signals from a smart phone, PC or Notebook through Wi-Fi to a TV and use it as the primary display. The SmartPlayer is designed as a DLNA DMR (Digital Media Renderer) which means users can easily send audio, video and pictures from a computer wirelessly to TV. This device can also act as a Wi-Fi Access Point for users to access a wired internet connection with their laptops or smart phones. Displaying audio, video and pictures through network streaming the Wi-Fi Smart Player is a simple yet incredibly useful device for sharing content through network streaming.



- Support PC to TV and Smart Phone to TV
- Can be a WiFi AP
- DLNA DMR (Digital Media Renderer) device
- Displays various picture, audio, and video contents through network streaming
- USB port for Mouse/Keyboard and flash disk for firmware upgrade

P/N	Input Interface	Output Interface	TV Timings	PC Timings	PC Software	File Format
CWF-901SP CWF-901	Wi-Fi, RJ45	hDMI	720p/1080p	-	Yes	WMV/AVI/MPEG/3GP/MOV

- Multiburst pattern comprises full screen definition pattern of 8 vertical bars at frequencies of 0.1-1.8-2.8-3.0-3.4-3.8-4.8 MHz
- Four speeds are available for the Moving White Field for testing fast motion picture
- Multi-system output: NTSC 3.58, NTSC 4.43, PAL, PAL M, PAL N, and SECAM
- Three video output formats - Composite video, Y/C Separation, HD: Y, R-Y, B-Y

P/N	Video Timings/Patterns	Audio Patterns	3D Pattern	External Pattern	EDID / HDCP / ARC / CEC Analysis			
LPM-55	6/55	-	-	-	-	-	-	-

DVI/PC/Component Video Pattern Generator

CPA-2

CPA-1



The CPA-2/CPA-1 is high performance PC/HDTV test pattern generator that provides over 20 most-often-used test patterns that can be used as an industrial-standard signal source for testing, broadcasting and troubleshooting.

- The CPA-2 output format is digital RGB data bitstream via 24-pin DVI connector
- The CPA-1 output format is analog RGBHV/YPbPr via HD-15 VGA connector
- Provides a wide range of PC/HDTV output resolutions
- Generates 27 test patterns including most useful test patterns in Video/PC industry, such as Color bar, Multiburst, Circle, Crosshatch, etc.
- OSD indicates output resolution and refresh rate
- Output can be reset to one of the two factory default modes : 1024x768 or 720p
- Selectable output refresh rate up to 85 Hz

P/N	Video Timings/Patterns	Audio Patterns	3D Pattern	External Pattern	EDID / HDCP / ARC / CEC Analysis			
CPA-4	12/36	Multi-CH 48 kHz (Internal) 32 ~ 192 kHz (External)	-	TOSLink	Yes	Yes	-	-
CPA-2	28/27	-	-	-	-	-	-	-
CPA-1	28/27	-	-	-	-	-	-	-

HDMI CEC Controller

CLUX-UCEC

The HDMI CEC Control Box is a convenient USB device allowing users to control various HDMI devices through their PC. Both sources and displays can be controlled, either with a PC or remote control. This device connects to the PC using a mini USB port, allowing plug and play simplicity and providing power for the device itself, so you don't have to deal with any cumbersome cables.



- HDMI v1.3, HDCP v1.1 & DVI v1.0 compliance
- Supports full CEC functions
- Plug and play
- RS-232 over mini USB
- Power supplied through the mini USB port
- Supports EDID bypass

8 Adjustable DC Power Supply

CPOWER-80W

The 8 Adjustable DC Power Supply is an 8-way DC power splitter which can distribute electrical power up to 10.2V/3.2Amp each port with overall power consumption of 80 watts over Terminal Block (3.5mm, 2 poles). Ideal for professional applications, this device provides smart control over each individual port, with adjustable voltage and On-Off switching features both supported, through on-panel buttons or RS-232 protocol. It also comes with an OLED display which can give the status of all ports or single port separately.

- Provides voltage-controlled current on each port, with the result of real-time measurement shown on the OLED
- Collects data of voltage current variation with time via RS-232 protocol, and create history table and chart



- Adjustable voltage and current to allow the maximum usage on each channel
- Support 12V/6.67A power input
- Support overall power consumption up to 80watts
- Support 8 output ports power with professional pluggable 2-pole 3.5mm Terminal Block

CAT5e/6/7 Power Inserter

CH-POC1

The CH-POC1 is designed to provide 24V power to a connected POE-capable HDBaseT receiver unit for it to operate without power supply. In a simple application of HDBaseT PoE extender set, the receiver unit can be powered by the connected transmitter unit, over a single run of CAT5e/6/7 cable. However, when comes to an integration of multiple HDBaseT devices, the PoE-capable receiver unit might not always be able to benefit from the PoE feature as the transmitter could be either non-PoE or its power output is used by other device, to work around such a situation you can install CH-POC1 to the system to insert the power required by the receiver unit.



- Supports power insertion
- Supports HDBaseT signal bypass
- Power cascading
- Compact and easy to use

HDMI Power Inserter

CS-PM

The CS-PM allows users to add extra power to HDMI connections. When cascading video over long distances, or when the source device (such as a DVD/Blu-ray player or Set-top Box) cannot provide enough power, you are often left with a degraded signal because, without enough power, your video signal will not be stable and you cannot increase your operating distance. The HDMI Power Inserter can solve this by providing up to 5 V/2 A of power to HDMI devices like scalars, splitters or it can power an HDMI Enhancer (with built-in HDMI CDR and equalizer) to stabilize the signal and help to solve HDMI power issues.

- Provides extra power to an HDMI output while safely disconnecting the original power supply from the HDMI input without interrupting the original HDMI signal



- Supports up to 5 V/2 A
- Over current protection
- Maximum total input and output cable lengths supported are 16 meter at 8-bit and 10 meter at 12-bit color depth

HDMI EDID Emulator

CED-1M

The CED-1M is designed to allow the adjustment of HDMI/DVI EDID information that is provided to a source device by a connected display so that it may output the correct video/audio signal. Aiming to simplify the technical complications involved in video/audio system integration, home theater installation, video/audio equipment testing and experimentation, the unit's learning function allows the user to Read and Write the video/audio EDID to the system. It also supports EDID Emulation and Bypass modes.

- Compliant with HDMI and DVI 1.0 standards
- Supports the following HDMI features:
 - High video bandwidth up to 340 MHz / 10.2 Gbps
 - Resolutions up to 1080p@60 Hz and 4Kx2K@24/30 Hz
 - 6-bit Deep Color
 - LPCM 7.1CH, Dolby TrueHD, Dolby Digital Plus and DTS-HD Master Audio (Sampling rates from 32 kHz to 192 kHz)
- Supports four different EDID Modes:
 - Read Mode: Reads the TV/display's EDID information
 - Write Mode: Overwrites the TV/display's EDID information (TV/display needs to be able to support overwrite function)



- Emulator Mode: Allows the source device to read the selected EDID information from the unit's default or learned EDID memory
- Bypass Mode: Allows the source device to read the EDID information from the TV/display directly
- Supports 8 sets of default EDID
- Supports DVI source by using HDMI to DVI adaptor
- Supports CEC and EDID pass-through
- Supports being powered by USB or HDMI input

P/N	Input Interface	Output Interface	TV Timings	PC Timings
CED-1M	HDMI	HDMI	480i ~ 4Kx2K	VGA ~ UXGA

EDID/CEC Selector

CED-S11

The CED-S11 allows anyone to set up a firm EDID and CEC between a source and display. Instead of waiting for the source and display to synchronize, this HDMI v1.3 switcher saves time by using your preset EDID and CEC settings to speed up this process. It's also easy for you to change your settings, simply choose your options like: internal/external power and EDID auto setting to let everyone enjoy the benefits this device can bring.

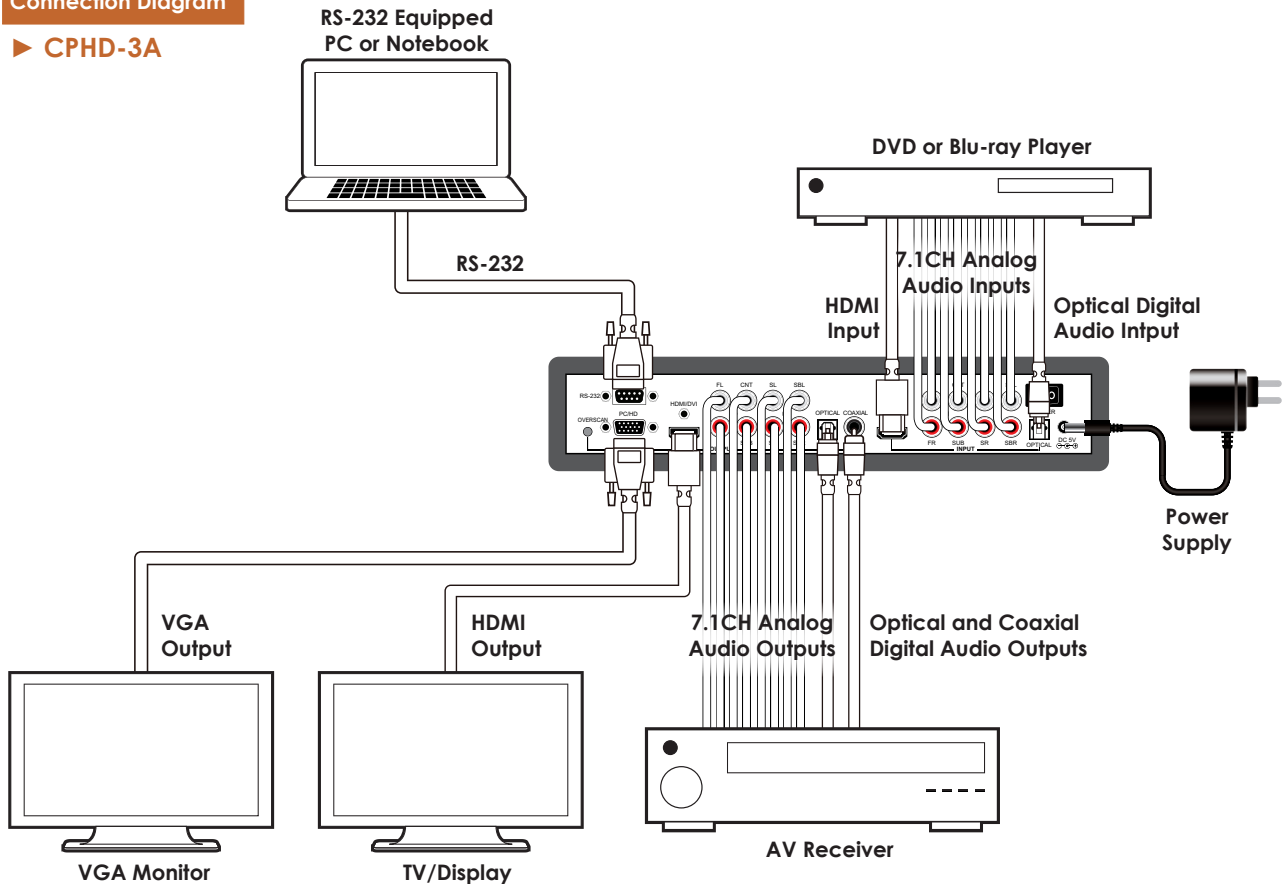
- Compliant with HDMI 1.3 and DVI 1.0 standards
- Serial data rate at up to 2.25Gbps, capable of supporting digital video formats in Deep Color Mode at up to 36 bits (12 bits/color)
- Supports HD audio-Dolby Digital TrueHD and DTS-HD
- Embedded EDID
- Built-in CEC support with compliant CEC PHY
- HDMI cable distance testing showed that with 1080p/8bit or 12bit resolution the input/ output can be up to 10/15 meters away
- Supports DVI source/display by using an HDMI/DVI adaptor cable
- Can choose the EDID source from either the TV or this splitter
- Supports CEC by pass or set the device manually to HDMI
- Easy to install and operate



P/N	Input Interface	Output Interface	TV Timings	PC Timings
CED-S11	HDMI	HDMI	480i ~ 1080p	VGA ~ UXGA

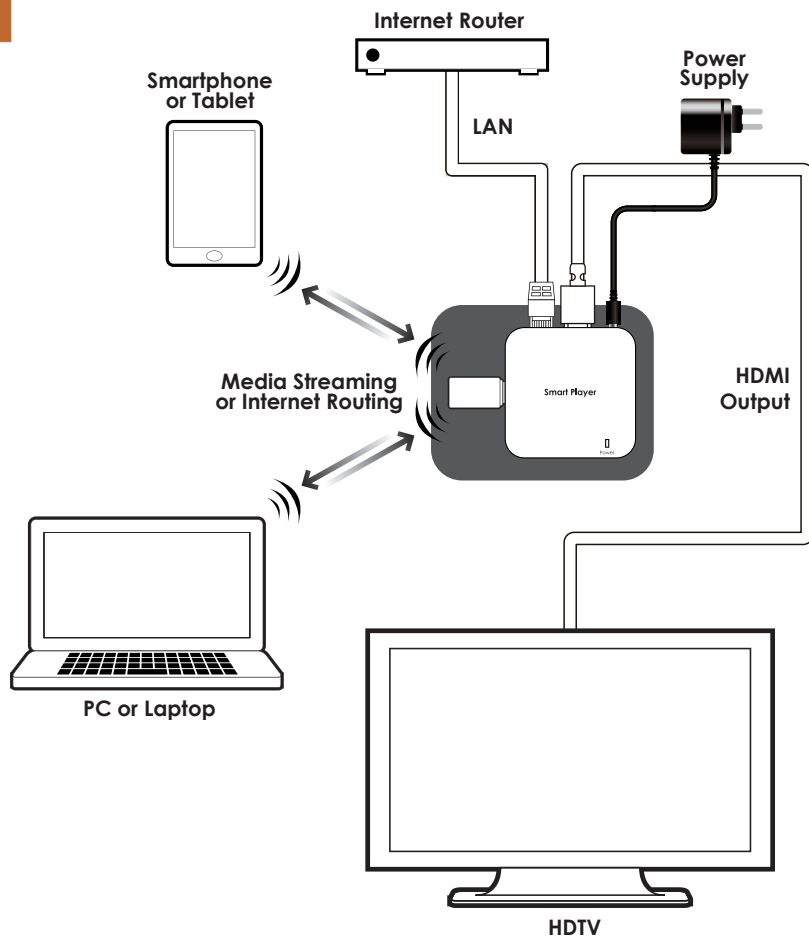
Connection Diagram

► CPHD-3A



Connection Diagram

► CWF-901SP



1. HDBaseT Solutions

1.1 HDBaseT Matrix

P/N	Input Interface	Output Interface	Input	Output	IR Extension	RS-232 Extension	PoE	Ethernet	Extender Cable	HD Audio	3D	HDCP
CMSI-18H8CVE	HDMI	CAT5e/6/7	8	8	Yes	Yes	Yes	Yes	CAT5e/6/7	Yes	Yes	Yes
CMSI-8H8CVE	HDMI	CAT5e/6/7	8	8	Yes	Yes	Yes	Yes	CAT5e/6/7	Yes	Yes	Yes
CMSI-8H8CV	HDMI	CAT5e/6/7	8	8	Yes	Yes	Yes	-	CAT5e/6/7	Yes	Yes	Yes
CMSI-4H4CV	HDMI	CAT5e/6/7	4	4	Yes	Yes	Yes	-	CAT5e/6/7	Yes	Yes	Yes
CMSI-424E	HDMI	CAT5e/6/7 (HDMI)	4	4 (2)	Yes	Yes	Yes	Yes	CAT5e/6/7	Yes	Yes	Yes
CMSI-8H8CVL	HDMI	CAT5e/6/7	8	8	Yes	Yes	-	-	CAT5e/6/7	Yes	Yes	Yes
CMSI-4H4CVL	HDMI	CAT5e/6/7	4	4	Yes	Yes	-	-	CAT5e/6/7	Yes	Yes	Yes
CMSI-46PL	HDMI	CAT5e/6/7 HDMI	4	4+2	Yes	Yes	Yes	-	CAT5e/6/7	Yes	Yes	Yes
CMSI-424L	HDMI	CAT5e/6/7 (HDMI)	4	4 (2)	Yes	Yes	-	-	CAT5e/6/7	Yes	Yes	Yes

1.2 HDBaseT Splitter

P/N	Input Interface	Output Interface	Input	Output	IR Extension	RS-232 Extension	PoE	Ethernet	Extender Cable	HD Audio	3D	HDCP
CHDBT-1H7CE	HDMI	CAT5e/6/7 HDMI	1	7+1	Yes	-	Yes	Yes	CAT5e/6/7	Yes	Yes	Yes
CHDBT-1H7CL	HDMI	CAT5e/6/7 HDMI	1	7+1	Yes	-	-	-	CAT5e/6/7	Yes	Yes	Yes
CHDBT-1H3CE	HDMI	CAT5e/6/7 HDMI	1	3+1	Yes	-	Yes	Yes	CAT5e/6/7	Yes	Yes	Yes
CHDBT-1H3CL	HDMI	CAT5e/6/7 HDMI	1	3+1	Yes	-	-	-	CAT5e/6/7	Yes	Yes	Yes
CHDBT-1H1CE	HDMI	CAT5e/6/7 HDMI	1	1+1	Yes	Yes	Yes	Yes	CAT5e/6/7	Yes	Yes	Yes
CHDBT-1H1CL	HDMI	CAT5e/6/7 HDMI	1	1+1	Yes	Yes	-	-	CAT5e/6/7	Yes	Yes	Yes
CHDBT-1H2CE	HDMI	CAT5e/6/7 HDMI	1	2+1	Yes	Yes	Yes	Yes	CAT5e/6/7	Yes	Yes	Yes
CHDBR-2HE	CAT5e/6/7	HDMI	1	2	Yes	-	Yes	Yes	CAT5e/6/7	Yes	Yes	Yes

1.3 HDBaseT Extender

P/N	Input Interface	Output Interface	Input	Output	IR Extension	RS-232 Extension	PoE	Ethernet	Extender Cable	HD Audio	3D/4K	HDCP
CSI-8H8CV2IR	HDMI	CAT5e/6/7	8	8	Yes	-	Yes	-	CAT5e/6/7	Yes	Yes	Yes
CSI-8H8CVTX	HDMI	CAT5e/6/7	8	8	-	-	Yes	-	CAT5e/6/7	Yes	Yes	Yes
CH-1109TXC	HDMI	HDMI	1	1	Yes	Yes	Yes	Yes	CAT5e/6/7	Yes	Yes	Yes
CH-1109RXC	HDMI	HDMI	1	1	Yes	Yes	Yes	Yes	CAT5e/6/7	Yes	Yes	Yes
CH-506TX	HDMI	HDMI	1	1	Yes	Yes	-	-	CAT5e/6/7	Yes	Yes	Yes
CH-506RX	HDMI	HDMI	1	1	Yes	Yes	-	-	CAT5e/6/7	Yes	Yes	Yes
CH-507TX	HDMI	HDMI	1	1	Yes	Yes	Yes	Yes	CAT5e/6/7	Yes	Yes	Yes
CH-507RX	HDMI	HDMI	1	1	Yes	Yes	Yes	Yes	CAT5e/6/7	Yes	Yes	Yes
CH-507TXBD	HDMI	HDMI	1	1	Yes	Yes	Yes	Yes	CAT5e/6/7	Yes	Yes	Yes
CH-507RXBD	HDMI	HDMI	1	1	Yes	Yes	Yes	Yes	CAT5e/6/7	Yes	Yes	Yes
CH-1507TX	HDMI	HDMI	1	1	Yes	Yes	Yes	Yes	CAT5e/6/7	Yes	Yes	Yes
CH-1507RX	HDMI	HDMI	1	1	Yes	Yes	Yes	Yes	CAT5e/6/7	Yes	Yes	Yes
CH-2507TX	HDMI	HDMI	1	1	Yes	Yes	Yes	Yes	CAT5e/6/7	Yes	Yes	Yes
CH-2507RX	HDMI	HDMI	1	1	Yes	Yes	Yes	Yes	CAT5e/6/7	Yes	Yes	Yes
CH-501TX	HDMI	HDMI	1	1	Yes	Yes	-	-	CAT5e/6/7	Yes	Yes	Yes
CH-501RX	HDMI	HDMI	1	1	Yes	Yes	-	-	CAT5e/6/7	Yes	Yes	Yes
CH-515RXPT	CAT5e/6/7	HDMI	1	1	-	-	Yes	Yes	CAT5e/6/7	Yes	Yes	Yes
CH-516TXAS	VGA/CV	CAT5e/6/7	2	1	Yes	Yes	Yes	Yes	CAT5e/6/7	Yes	-	Yes
CH-517RXHS	CAT5e/6/7	HDMI	1	1	Yes	Yes	Yes	Yes	CAT5e/6/7	Yes	-	Yes
CH-506TXWP	HDMI	HDMI	1	1	Yes	Yes	Yes	-	CAT5e/6/7	Yes	Yes	Yes
CH-506RXWP	HDMI	HDMI	1	1	Yes	Yes	Yes	-	CAT5e/6/7	Yes	Yes	Yes
CH-507TXWPUS	HDMI	HDMI	1	1	Yes	Yes	Yes	Yes	CAT5e/6/7	Yes	Yes	Yes
CH-507RXWPUS	HDMI	HDMI	1	1	Yes	Yes	Yes	Yes	CAT5e/6/7	Yes	Yes	Yes
CH-507TXWPBD	HDMI	HDMI	1	1	Yes	Yes	Yes	Yes	CAT5e/6/7	Yes	Yes	Yes
CH-507RXWPBD	HDMI	HDMI	1	1	Yes	Yes	Yes	Yes	CAT5e/6/7	Yes	Yes	Yes
CH-507RXWP	CAT5e/6/7	HDMI	1	1	Yes	Yes	Yes	Yes	CAT5e/6/7	Yes	Yes	Yes
CH-506TXPL	HDMI	HDMI	1	1	Yes	Yes	Yes	-	CAT5e/6/7	Yes	Yes	Yes
CH-506RXPL	HDMI	HDMI	1	1	Yes	Yes	Yes	-	CAT5e/6/7	Yes	Yes	Yes
CH-506TXL	HDMI	HDMI	1	1	Yes	Yes	-	-	CAT5e/6/7	Yes	Yes	Yes
CH-506RXL	HDMI	HDMI	1	1	Yes	Yes	-	-	CAT5e/6/7	Yes	Yes	Yes
CH-514TXL	HDMI	HDMI	1	1	Yes	-	-	-	CAT5e/6/7	Yes	Yes	Yes
CH-514RXL	HDMI	HDMI	1	1	Yes	-	-	-	CAT5e/6/7	Yes	Yes	Yes
CH-513TXL	HDMI	HDMI	1	1	Yes	Yes	-	-	CAT5e/6/7	Yes	Yes	Yes
CH-513RXL	HDMI	HDMI	1	1	Yes	Yes	-	-	CAT5e/6/7	Yes	Yes	Yes
CDVI-513TXL	DVI	DVI	1	1	-	-	-	-	CAT5e/6/7	Yes	3D Only	Yes
CDVI-513RXL	DVI	DVI	1	1	-	-	-	-	CAT5e/6/7	Yes	3D Only	Yes
CH-514RXWPL	CAT5e/6/7	HDMI	1	1	Yes	-	-	-	CAT5e/6/7	Yes	Yes	Yes

1.4 HDBaseT Repeater

P/N	Input Interface	Output Interface	Input	Output	IR Extension	RS-232 Extension	PoE	Ethernet	Extender Cable	HD Audio	3D	HDCP
CHDBX-1C	CAT5e/6/7	CAT5e/6/7	1	1	Yes	Yes	Yes	Yes	CAT5e/6/7	Yes	Yes	Yes
CHDBX-1CL	CAT5e/6/7	CAT5e/6/7	1	1	Yes	Yes	Yes	-	CAT5e/6/7	Yes	Yes	Yes

2. Matrix

P/ N	Interface	Input	Output	Deep Color	HD Audio	3D	HEC	ARC	4K×2K	EDID	HDCP
CMSI-3232	HDMI/DVI/HDBaseT/VGA	32	32	Yes	Yes	Yes	-	-	-	Yes	Yes
CMSI-1616	HDMI/DVI/HDBaseT/VGA	16	16	Yes	Yes	Yes	-	-	-	Yes	Yes
CMSI-88	HDMI/DVI/HDBaseT/VGA	8	8	Yes	Yes	Yes	-	-	-	Yes	Yes
CDPS-6H2HFS	HDMI	6	2	Yes	Yes	Yes	-	-	Yes	Yes	Yes
CDPS-44SM	HDMI	4	4	Yes	Yes	-	-	-	-	-	Yes
CMPRO-4H4H	HDMI	4	4	Yes	Yes	Yes	-	-	Yes	Yes	Yes
CMPRO-4H2H	HDMI	4	2	Yes	Yes	Yes	-	-	Yes	Yes	Yes
CMSI-8H8HS	HDMI	8	8	Yes	Yes	Yes	-	-	-	Yes	Yes
CMLUX-44E	HDMI	4	4	Yes	Yes	Yes	-	-	-	Yes	Yes
CMLUX-44S	HDMI	4	4	Yes	Yes	Yes	-	-	-	Yes	Yes
CMLUX-42S	HDMI	4	2	Yes	Yes	Yes	-	-	-	Yes	Yes
CMLUX-24S	HDMI	2	4	Yes	Yes	Yes	-	-	-	Yes	Yes
CMLUX-22S	HDMI	2	2	Yes	Yes	-	-	-	-	Yes	Yes
CHMX-44	HDMI	4	4	-	-	-	-	-	-	Yes	Yes
CHMX-24	HDMI	2	4	-	-	-	-	-	-	Yes	Yes
CHMX-22	HDMI	2	2	-	-	-	-	-	-	Yes	Yes
CMSI-8H8HC	HDMI/Dual CAT6	8	8+8	Yes	Yes	Yes	-	-	-	Yes	Yes
CMLUX-4H4CAT	HDMI > Dual CAT6	4	4	Yes	Yes	Yes	-	-	-	Yes	Yes
CMPRO-4D4D	DVI	4	4	Yes	Yes	Yes	-	-	Yes	Yes	Yes
CMPRO-2D2D	DVI	2	2	Yes	Yes	Yes	-	-	Yes	Yes	Yes
CMSI-8D8DSA	DVI	8	8	Yes	Yes	Yes	-	-	-	Yes	Yes
CMSI-8D8DS	DVI	8	8	Yes	Yes	Yes	-	-	-	Yes	Yes
CMSDI-1616S	SDI	16	16	-	-	-	-	-	-	-	-
CMSDI-164	SDI	16	4	-	-	-	-	-	-	-	-
CMSDI-124	SDI	12	4	-	-	-	-	-	-	-	-
CMSDI-84	SDI	8	4	-	-	-	-	-	-	-	-
CMSDI-44	SDI	4	4	-	-	-	-	-	-	-	-
CCMX-44DA	Component	4	4	-	-	-	-	-	-	-	-
CCMX-44	Component	4	4	-	-	-	-	-	-	-	-
CCMX-42	Component	4	2	-	-	-	-	-	-	-	-
CMIR-882	IR	8+8+1	8+8+1	-	-	-	-	-	-	-	-
CMIR-44	IR	4+1	4+1	-	-	-	-	-	-	-	-

3. Splitter

P/N	Interface	Input	Output	Deep Color	HD Audio	3D	HEC	ARC	4K×2K	CEC	EDID	HDCP
CPRO-8ER	HDMI	1	8	Yes	Yes	Yes	-	-	Yes	Bypass	Yes	Yes
CPRO-4ER	HDMI	1	4	Yes	Yes	Yes	-	-	Yes	Bypass	Yes	Yes
CPRO-16E	HDMI	1	16	Yes	Yes	Yes	-	-	Yes	Bypass	Yes	Yes
CPRO-8E	HDMI	1	8	Yes	Yes	Yes	-	-	Yes	-	Yes	Yes
CPRO-4E	HDMI	1	4	Yes	Yes	Yes	-	-	Yes	-	Yes	Yes
CPRO-2E	HDMI	1	2	Yes	Yes	Yes	-	-	Yes	-	-	Yes
CPRO-8MCEC	HDMI	1	8	Yes	Yes	Yes	Yes	Yes	-	Yes	Yes	Yes
CLUX-16EN	HDMI	1	16	Yes	Yes	Yes	-	-	-	Bypass	Yes	Yes
CLUX-8EN	HDMI	1	8	Yes	Yes	Yes	-	-	-	-	Yes	Yes
CLUX-4EN	HDMI	1	4	Yes	Yes	Yes	-	-	-	-	Yes	Yes
CLUX-2EN	HDMI	1	2	Yes	Yes	Yes	-	-	-	-	-	Yes
CLUX-8M3D	HDMI	1	8	Yes	Yes	Yes	-	-	-	System Reset	Yes	Yes
CLUX-3D12S1A	HDMI	1	3	Yes	Yes	Yes	-	-	-	-	-	Yes
CLUX-8M	HDMI	1	8	Yes	Yes	Yes	-	-	-	System Reset	Yes	Yes
CLUX-4M	HDMI	1	4	Yes	Yes	Yes	-	-	-	System Reset	Yes	Yes
CLUX-18W	HDMI	1	8	Yes	Yes	Yes	-	-	-	System Reset	Yes	Yes
CLUX-14W	HDMI	1	4	Yes	Yes	Yes	-	-	-	System Reset	Yes	Yes
CLUX-18EU	HDMI	1	8	Yes	Yes	Yes	-	-	-	System Reset	Yes	Yes
CLUX-14EP	HDMI	1	4	Yes	Yes	Yes	-	-	-	-	-	Yes
CLUX-210S	HDMI	2	10	Yes	Yes	Yes	-	-	-	-	Yes	Yes
CLUX-18S	HDMI	1	8	Yes	Yes	Yes	-	-	-	Bypass	Yes	Yes
CLUX-14S	HDMI	1	4	Yes	Yes	Yes	-	-	-	Bypass	Yes	Yes
CLUX-12S	HDMI	1	2	Yes	Yes	Yes	-	-	-	Bypass	Yes	Yes
CLUX-16E	HDMI	1	16	Yes	Yes	Yes	-	-	-	-	Yes	Yes
CLUX-18E	HDMI	1	8	Yes	Yes	Yes	-	-	-	-	-	Yes
CLUX-14E	HDMI	1	4	Yes	Yes	Yes	-	-	-	-	-	Yes
CLUX-12E	HDMI	1	2	Yes	Yes	Yes	-	-	-	-	-	Yes
CLUX-18CEC	HDMI	1	8	Yes	Yes	Yes	-	-	-	Full	-	Yes
CLUX-14CEC	HDMI	1	4	Yes	Yes	Yes	-	-	-	Full	-	Yes
CLUX-12CEC	HDMI	1	2	Yes	Yes	Yes	-	-	-	Full	-	Yes
CLUX-8MCA7	HDMI > CAT6/7	1	8	Yes	Yes	Yes	-	-	-	-	Yes	Yes
CLUX-22HC	HDM/Dual CAT6/7	1+1	1+1	Yes	Yes	Yes	-	-	-	-	Yes	Yes
CLUX-1H8CAT	HDM > Dual CAT6/7	1	1+7	Yes	Yes	Yes	-	-	-	-	Yes	Yes
CLUX-1H4CAT	HDM > Dual CAT6/7	1	1+3	Yes	Yes	Yes	-	-	-	-	Yes	Yes
CLUX-1CAT8H	Dual CAT6/7 > HDMI	1	1+7	Yes	Yes	Yes	-	-	-	-	Yes	Yes
CLUX-1CAT4H	Dual CAT6/7 > HDMI	1	1+3	Yes	Yes	Yes	-	-	-	-	Yes	Yes
CDVI-4DDS	DVI DL	1	4	Yes	Yes	Yes	-	-	Yes	-	-	Yes

P/N	Interface	Input	Output	Deep Color	HD Audio	3D	HEC	ARC	4K×2K	CEC	EDID	HDCP
CDVI-2DDS	DVI DL	1	2	Yes	Yes	Yes	-	-	Yes	-	-	Yes
CDVI-8S	DVI SL	1	8	Yes	Yes	Yes	-	-	-	-	-	Yes
CDVI-4S	DVI SL	1	4	Yes	Yes	Yes	-	-	-	-	-	Yes
CDVI-2S	DVI SL	1	2	Yes	Yes	Yes	-	-	-	-	-	Yes
CSDI-14	SDI	1	4	-	-	-	-	-	-	-	-	-
CDP-14C	DP	1	4	-	-	-	-	-	-	-	-	-
CDP-13DPI	DP	1	3	-	-	-	-	-	-	-	-	-
CMDP-13MDPI	mDP	1	3	-	-	-	-	-	-	-	-	-
CHDD-8C	Component	1	8	-	-	-	-	-	-	-	-	-
CHDD-3C	Component	1	3	-	-	-	-	-	-	-	-	-
CPCD-3A	PC	1	3	-	-	-	-	-	-	-	-	-
CVSD-3A	CV/SV	1	3	-	-	-	-	-	-	-	-	-

4. Switcher

P/N	Interface	Input	Output	Deep Color	HD Audio	3D	HEC	ARC	4K×2K	CEC	EDID	HDCP
CDPS-41SQ	HDMI	4	1	Yes	Yes	-	-	-	-	-	-	Yes
CFSW-51MHL	HDMI	5	1	Yes	Yes	Yes	-	-	-	-	-	Yes
CPRO-3D42S	HDMI	4	2	Yes	Yes	Yes	Yes	Yes	-	-	-	Yes
CLUX-41N	HDMI	4	1	Yes	Yes	Yes	-	-	-	-	-	Yes
CLUX-31N	HDMI	3	1	Yes	Yes	Yes	-	-	-	-	-	Yes
CLUX-21N	HDMI	2	1	Yes	Yes	Yes	-	-	-	-	-	Yes
CPRO-41W	HDMI	4	1	Yes	Yes	Yes	-	Yes	-	Bypass	-	Yes
CPRO-3D41GAME	HDMI	4	1	Yes	Yes	Yes	-	Yes	-	Bypass	-	Yes
CLUX-41W	HDMI	4	1	Yes	Yes	Yes	-	-	-	Bypass	-	Yes
CLUX-31GAME	HDMI	3	1	Yes	Yes	Yes	-	-	-	Bypass	-	Yes
CLUX-81	HDMI	8	1	Yes	Yes	Yes	-	-	-	-	-	Yes
CLUX-61	HDMI	6	1	Yes	Yes	Yes	-	-	-	-	-	Yes
CLUX-42SA	HDMI	4	2	Yes	Yes	Yes	-	-	-	-	-	Yes
CLUX-42S	HDMI	4	2	Yes	Yes	Yes	-	-	-	-	-	Yes
CLUX-42E	HDMI	4	2	Yes	Yes	Yes	-	-	-	-	-	Yes
CLUX-41AT	HDMI	4	1	Yes	Yes	Yes	-	-	-	-	-	Yes
CLUX-4S2	HDMI	4	2	Yes	Yes	Yes	-	-	-	-	-	Yes
CLUX-41AP	HDMI	4	1	Yes	Yes	Yes	-	-	-	-	-	Yes
CLUX-C81C	HDMI	8	1	Yes	Yes	Yes	-	-	-	Bypass	-	Yes
CLUX-C61C	HDMI	6	1	Yes	Yes	Yes	-	-	-	Bypass	-	Yes
CLUX-C41C	HDMI	4	1	Yes	Yes	Yes	-	-	-	Bypass	-	Yes
CLUX-41SY	HDMI	4	1	Yes	Yes	Yes	-	-	-	-	-	Yes
CLUX-31SY	HDMI	3	1	Yes	Yes	Yes	-	-	-	-	-	Yes
CLUX-21SY	HDMI	2	1	Yes	Yes	Yes	-	-	-	-	-	Yes
CHDMI-42E	HDMI	4	2	-	-	-	-	-	-	-	-	Yes
CHDMI-41AT	HDMI	4	1	-	-	-	-	-	-	-	-	Yes
CHDMI-41	HDMI	4	1	-	-	-	-	-	-	-	-	Yes
CHDMI-31	HDMI	3	1	-	-	-	-	-	-	-	-	Yes
CDVI-81	DVI SL	8	1	-	-	-	-	-	-	-	-	Yes
CDVI-61	DVI SL	6	1	-	-	-	-	-	-	-	-	Yes
CDVI-41	DVI SL	4	1	-	-	-	-	-	-	-	-	Yes
CDVI-31	DVI SL	3	1	-	-	-	-	-	-	-	-	Yes
CSDI-44	SDI	4	4	-	-	-	-	-	-	-	-	-
CSDI-42	SDI	4	2	-	-	-	-	-	-	-	-	-
CHDD-41AR	Component	4	1	-	-	-	-	-	-	-	-	-
CPCD-41AR	PC	4	1	-	-	-	-	-	-	-	-	-
CVSD-41AR	CV/SV	4	1	-	-	-	-	-	-	-	-	-

5. Extender

P/N	Input Interface	Output Interface	Max. Distance	Extender Cable	HD Audio	3D	HDCP
CH-1106TX CH-1106RXN	HDMI	HDMI	45 m (150 ft)/8-bit 20 m (66 ft)/12-bit	Dual CAT6/7	Yes	Yes	Yes
CH-106TXN CH-106RXN	HDMI	HDMI	45 m (150 ft)/8-bit 20 m (66 ft)/12-bit	Dual CAT6/7	Yes	Yes	Yes
CH-1103TX CH-1103RX	HDMI	HDMI	45 m (150 ft)/8-bit 15 m (50 ft)/12-bit	Dual CAT6/7	Yes	Yes	Yes
CH-1107TX CH-107RXN	HDMI	HDMI	45 m (150 ft)/8-bit 10 m (33 ft)/12-bit	Single CAT5e/6/7	Yes	Yes	Yes
CH-1107EX	HDMI / CAT5e/6/7	HDMI / CAT5e/6/7	45 m (150 ft)/8-bit 10 m (33 ft)/12-bit	Single CAT5e/6/7	Yes	Yes	Yes
CA-USBST CA-USB100R	USB	USB	100 m (330 ft)	Single CAT5e/6/7	-	-	-
CA-USBAT CA-USB100R	USB	USB	100 m (330 ft)	Single CAT5e/6/7	-	-	-
CH-304TX CH-304RX	TOSLink/COAX	TOSLink/COAX	150 m (495 ft)	Single CAT5e/6/7	-	-	-
CIR-03 CIR-12	IR	IR/IR (Local)	250 m (825 ft)	Single CAT5e/6/7	-	-	-
CRS-232TX CRS-232RX	RS-232	RS-232	250 m (825 ft)	Single CAT5e/6/7	-	-	-
CH-316TXO CH-316RXO	HDMI	HDMI	10 Km	Optical Fiber	Yes	Yes	Yes
CH-306TXA CH-306RXA	HDMI/USB	HDMI/USB/VGA/DVI (Local)	100 m (330 ft)	Single CAT5e/6/7	Yes	-	Yes

P/N	Input Interface	Output Interface	Max. Distance	Extender Cable	HD Audio	3D	HDCP
CA-USBHUT CA-USBHU100R	HDMI/USB	HDMI/USB	100 m (330 ft)	Single CAT5e/6/7	Yes	-	Yes
CETH-4USB	USB	USB	100 m (330 ft)	Single CAT5e/6/7	-	-	Yes
COH-TX2 COH-RX2	HDMI	HDMI	300 m (1000 ft)	Duplex Optical Fiber	Yes	Yes	Yes
COH-TX1 COH-RX1	HDMI	HDMI	300 m (1000 ft)	Duplex Optical Fiber	-	-	Yes
COH-TX COH-RX	HDMI	HDMI	300 m (984 ft)	Duplex Optical Fiber	-	-	Yes
CLUX-SDI2OF CLUX-OP2SDI	SDI	SDI	10 km	Optical Fiber	-	-	-
CAC-TXA CAC-RXA	HDMI	HDMI	100 m (330 ft)	5×Coaxial Cable	Yes	-	Yes
CA-HDMIAT CA-HDMI50R CA-HDMI100R CA-HDMI150R CA-HDMI250R	HDMI	HDMI	50 m (165 ft)/50R 100 m (330 ft)/100R 150 m (495 ft)/150R 250 m (825 ft)/250R	Dual CAT5e/6/7	-	-	-
CA-DVIAT CA-DVI100R CA-DVI250R	DVI	DVI	100 m (330 ft)/100R 250 m (825 ft)/250R	Dual CAT5e/6/7	-	-	-
CA-COMPAT CA-COMP50R CA-COMP100R	PC/Component	PC/Component	50 m (165 ft)/50R 100 m (330 ft)/100R	Single CAT5e/6/7	-	-	-

6. Repeater

P/N	Interface	Input Distance	Output Distance	Deep Color	HD Audio	3D/4K	HDCP
CPRO-11SR	HDMI	15m@8-bit 10m@12-bit	15m@8-bit 10m@12-bit	Yes	Yes	Yes	Yes
CLUX-11SA	HDMI	20m@8-bit 15m@12-bit	15m@8-bit 10m@12-bit	Yes	Yes	3D Only	Yes
CLUX-11HS	HDMI	40 m (132 ft)	10 m (33 ft)	Yes	Yes	-	Yes
CS-HH	HDMI	15 m (50 ft)	15 m (50 ft)	Yes	Yes	3D Only	Yes
CP-1269HM	HDMI	40 m (132 ft)	10 m (33 ft)	-	-	-	Yes
CH-101	HDMI	15 m (50 ft)	10 m (33 ft)	Yes	Yes	-	Yes
CP-263HS	HDMI	12 m (40 ft)	12 m (40 ft)	-	-	-	Yes
CP-263D	DVI	12 m (40 ft)	12 m (40 ft)	-	-	-	Yes
CH-108	Dual CAT6	45m@8-bit 15m@12-bit	45m@8-bit 15m@12-bit	Yes	Yes	3D Only	Yes

7. Scaler

P/N	Input Interface	Output Interface	Upscaling TV Resolution	Upscaling PC Resolution	Downscaling TV Resolution	Downscaling PC Resolution	Frame Rate Conversion	HDCP
CSLUX-300I	HDMI/SDI/PC/ Component/CV/SV	HDMI/PC/SDI (Loop)	1080p@50/60	WUXGA@60 (RB)	480p/576p	VGA@60	50/60	Yes
CSC-5500	HDMI/PC/ Component/ CV/SV	HDMI/PC	1080p@50/60	WUXGA@60 (RB)	480p/576p	VGA@60	50/60	Yes
CP-255I	HDMI/PC/ Component/CV/SV	HDMI	1080p@50/60	WUXGA@60 (RB)	480i/576i	VGA@60	50/60	Yes
CP-255H	HDMI/PC/ Component	HDMI	1080p@50/60	WUXGA@60 (RB)	480i/576i	VGA@60	50/60	Yes
CS-801H	HDMI/DP/VGA	HDMI	1080p@60	WUXGA@60 (RB)	480p	VGA@60	60 ONLY	-
CS-802D	mDP/DVI-DL/VGA	HDMI	1080p@60	WUXGA@60 (RB)	480p	VGA@60	60 ONLY	-
CPRO-2E4KS	HDMI	HDMI	4K×2K@24	-	1080p@24	-	AS IS	Yes
CHQV-3CH	CV/Component	HDMI	1080p@50/60	-	-	-	AS IS	-
CHQV-2H	HDMI	HDMI	1080p@50/60	-	480p/576p	-	AS IS	Yes
CSO-T2	HDMI/Component/ CV/SV	HDMI/Component	1080p@24/50/60	WUXGA@60 (RB)	480p/576p	VGA@60	24/50/60	Yes
CP-259H	HDMI	HDMI	1080p@50/60	WUXGA@60 (RB)	480i/576i	VGA@60	50/60	Yes
CP-295N	CV/SV	HDMI	1080p@50/60	WUXGA@60 (RB)	-	-	50/60	-
CP-294	Component	HDMI	1080p@50/60	WUXGA@60 (RB)	480i/576i	VGA@60	50/60	-
CP-293	PC	HDMI	1080p@50/60	WUXGA@60 (RB)	480i/576i	VGA@60	50/60	-
CP-290	DVI/PC/Component	HDMI	1080p@50/60	WUXGA@60 (RB)	720p@50/60	XGA@60	AS IS	-
CP-302M	HDMI	HDMI	1080p@60	WUXGA@60 (RB)	480p/576p	VGA@60	50/60	Yes
CP-298H	HDMI	HDMI	1080p@60	WUXGA@60 (RB)	720p@60	VGA@60	60 ONLY	Yes
CM-398H	CV/SV	HDMI	1080p@50/60	UXGA@60	-	-	50 to 60	-
CSLUX-1080P	SCART	HDMI	1080p@50/60	-	-	-	AS IS	-
CVLUX-1080P	CV/SV	HDMI	1080p@50/60	VGA@60	-	-	AS IS	-
CVMDP-1080P	CV/SV	MDP	1080p@50/60	VGA@60	480p/576p	VGA@60	50/60	-
CP-255ID	DVI/PC/CV/SV	DVI	1080p@50/60	WUXGA@60 (RB)	480p/576p	VGA@60	50/60	Yes
CP-255DN	DVI/PC/Component	DVI/PC/Component	1080p@50/60	WUXGA@60 (RB)	480i/576i	VGA@60	50/60	Yes
CP-255D	DVI/PC/Component	DVI/PC/Component	1080p@50/60	WUXGA@60 (RB)	480i/576i	VGA@60	50/60	-
CP-254	DVI-I	DVI-I	1080i@50/60 (Pseudo)	SXGA@75	480i/576i	VGA@60	50/60	-
CP-252	PC/Component	DVI-I	1080i@50/60 (Pseudo)	SXGA@75	480i/576i	VGA@60	50/60	-
CM-348ST	Component/CV/SV	DVI-D	1080i@50/60 (Pseudo)	SXGA@60	480p/576p	VGA@60	50/60	-
CP-300VD	PC	DVI-D	-	WUXGA@60 (RB)	-	VGA@60	60/72/75/85 to 60	-

P/N	Input Interface	Output Interface	Upscaling TV Resolution	Upscaling PC Resolution	Downscaling TV Resolution	Downscaling PC Resolution	Frame Rate Conversion	HDCP
CP-298D	DVI	DVI	1080p@60	WUXGA@60 (RB)	480p	VGA@60	60 ONLY	Yes
CM-398DI	CV/SV	DVI-H	1080p@50/60	UXGA@60	-	-	50 to 60	-
CLUX-M2SDI	HDMI/PC/Component/CV	HDMI/SDI	1080p@50/60	SDI: SMPTE 424M/425M (2.970 Gbit/s)	480i/576i	SDI: SMPTE 292M (1.485 Gbit/s)	50/60	Yes
CLUX-SDI2HS	SDI	HDMI	1080p@50/60	WUXGA@60 (RB)	480p/576p	VGA@60	50/60	-
CLUX-SDI2VS	SDI	PC/Component	1080p@50/60	WUXGA@60 (RB)	480p/576p	VGA@60	50/60	-
CLUX-SDI2CSS	SDI	CV/SV	-	-	NTSC/PAL	-	50/60	-
CSC-220	PC/Component/CV/SV	PC/Component	1080i@60	SXGA@60	480p/576p	VGA@60	50 to 60	-
CSC-210	PC/Component/CV/SV	PC	-	UXGA@60	-	VGA@60	50 to 60	-
CP-292	DVI-H	Component	1080p@50/60	-	480i/576i	-	50/60	-
CP-291	PC/Component	PC/Component	1080p@50/60	WUXGA@60 (RB)	480i/576i	VGA@60	50/60	-
CM-347ST	Component/CV/SV	PC/Component	1080i@50/60 (Pseudo)	SXGA@60	480p/576p	VGA@60	50/60	-
CP-253	DVI-D	PC/Component	1080i@50/60 (Pseudo)	SXGA@75	480i/576i	VGA@60	50/60	-
CP-251F	PC/Component	PC/Component	1080i@50/60 (Pseudo)	SXGA@75	480i/576i	VGA@60	50/60	-
CM-398M	CV/SV	PC/Component	1080p@50/60	UXGA@60	-	-	50 to 60	-
CM-388M	HDMI	CV/SV/HDMI (Bypass)	-	-	NTSC/PAL	-	50/60	-
CM-388N	HDMI	CV/SV/HDMI (Bypass)	-	-	NTSC/PAL	-	50/60	-
CPT-387HD	Component	CV/SV/Component (Bypass)	-	-	NTSC/PAL	-	50/60	-
CPT-385AM	PC	CV/SV	-	-	NTSC/PAL	-	50/60	-
CV-401H	HDMI	CV	-	-	NTSC/PAL	-	50/60	-
CV-401D	DVI-D	CV	-	-	NTSC/PAL	-	50/60	-
CV-401V	PC/Component	CV	-	-	NTSC/PAL	-	50/60	-
CV-400H	HDMI	CV	-	-	NTSC/PAL	-	50/60	-

8. Video Conversion

P/N	Input Interface	Output Interface	Input Format	Output Format	Supported TV Timings	Supported PC Timings	External Audio	HDCP
CLUX-H2SDI	HDMI	SDI	Digital RGB/YUV	SD/HD/3G-SDI	480i ~ 1080p SD/HD/3G-SDI	VGA ~ WUXGA (RB)	-	-
CLUX-SDI2HC	SDI	HDMI/SDI	SD/HD/3G-SDI	Digital RGB/YUV	480i ~ 1080p SD/HD/3G-SDI	VGA ~ WUXGA (RB)	-	-
CLUX-H2SDIA	HDMI	SDI	Digital RGB/YUV	SD/HD/3G-SDI	480i ~ 1080p SD/HD/3G-SDI	VGA ~ WUXGA (RB)	Yes	-
CLUX-SDI2HCA	SDI	HDMI	SD/HD/3G-SDI	Digital RGB/YUV	480i ~ 1080p SD/HD/3G-SDI	VGA ~ WUXGA (RB)	Yes	-
CLUX-DVI2SDIA	DVI	SDI	Digital RGB	SD/HD/3G-SDI	480i ~ 1080p SD/HD/3G-SDI	VGA ~ WUXGA (RB)	Yes	-
CLUX-SDI2DVIA	SDI	DVI	SD/HD/3G-SDI	Digital RGB	480i ~ 1080p SD/HD/3G-SDI	VGA ~ WUXGA (RB)	Yes	-
CMDP-DL2DVI	mDP	DL-DVI	Digital RGB	Digital RGB	-	VGA ~ WQXGA (RB)	-	-
CMDPH-2C	mDP	HDMI	Digital RGB	Digital RGB	480p ~ 1080p	VGA ~ WUXGA (RB)	Yes	-
CDPH-1P	DP	HDMI	Digital RGB	Digital RGB	480p ~ 1080p	VGA ~ WUXGA (RB)	-	-
CP-267S	HDMI	DVI-D	Digital RGB/YUV	AS IS	480i ~ 1080p	VGA ~ UXGA	Yes	Yes
CP-268S	DVI-D	HDMI	Digital RGB/YUV	AS IS	480i ~ 1080p	VGA ~ UXGA	Yes	Yes
CP-1283HDT	HDMI	Component	Digital RGB/YUV	Analog YUV	480i ~ 1080p	-	Yes	-
CP-1262HST	HDMI	PC/Component	Digital RGB/YUV	Analog RGB/YUV	480i ~ 1080p	VGA ~ WUXGA (RB)	Yes	-
CP-1262HE	HDMI	PC/Component	Digital RGB/YUV	Analog RGB/YUV	480i ~ 1080p	VGA ~ WUXGA (RB)	Yes	-
CP-1262DE	DVI-D	PC/Component	Digital RGB/YUV	Analog RGB/YUV	480i ~ 1080p	VGA ~ WUXGA (RB)	Yes	-
CDPV-1A	DP	PC	Digital RGB	Analog RGB	-	VGA ~ WUXGA (RB)	-	-
CSC-5300	HDMI/PC/Component/CV/SV	HDMI	Digital & Analog RGB/YUV	Digital RGB/YUV	480i ~ 1080p	VGA ~ WUXGA (RB)	Yes	Yes
CP-1261HS	PC/Component	HDMI	Analog RGB/YUV	Digital RGB/YUV	480i ~ 1080p	VGA ~ WUXGA (RB)	Yes	-
CP-1261D	PC/Component	DVI-D	Analog RGB/YUV	Digital RGB/YUV	480i ~ 1080p	VGA ~ WUXGA (RB)	Yes	-
CP-280H	Component	HDMI	Analog YUV	Digital RGB/YUV	480i ~ 1080p	-	Yes	-
CP-281H	Component	HDMI	Analog YUV	Digital RGB/YUV	480i ~ 1080p	-	Yes	-
CP-260D	Component	DVI-H	Analog RGB/YUV	Digital RGB/YUV	480i ~ 1080p	VGA ~ UXGA	-	-
CP-265	Component	PC/Component	Analog YUV	Analog RGB/YUV	480i ~ 1080p	VGA ~ XGA	-	-
CP-264	PC	Component	Analog RGB	Analog YUV	480p ~ 720p	VGA ~ XGA	-	-
CP-VSRGB	CV/SV	PC/Component	NTSC3.58/ NTSC4.43/PAL/ PAL-M/PAL-N/ SECAM	Analog RGB/YUV	-	-	-	-
CS-801H	HDMI/DP/VGA	HDMI	Digital RGB/YUV Analog RGB	Digital RGB/YUV	480p ~ 1080p	VGA ~ WUXGA (RB)	Yes	Yes
CH-2D3D	HDMI	HDMI	Digital RGB/YUV	Digital RGB/YUV	480i ~ 1080p	-	-	Yes
CH-322	HDMI	HDMI	Digital RGB/YUV	Digital RGB/YUV	480i ~ 1080p	-	-	Yes
CDL-165PRO	Mini-USB	HDMI/PC/USB	Data	Digital RGB Analog RGB	480p ~ 1080p	VGA ~ 1920x1080	-	-
CDL-165ETHG	Ethernet/Mini-USB	HDMI/PC/USB	Data	Digital RGB Analog RGB	480p ~ 1080p	VGA ~ 1920x1080	-	-
CDL-165HUB	Mini-USB	HDMI/PC/USB	Data	Digital RGB Analog RGB	480p ~ 1080p	VGA ~ 1920x1080	-	-

P/N	Input Interface	Output Interface	Input Format	Output Format	Supported TV Timings	Supported PC Timings	External Audio	HDCP
CDL-125	Mini-USB	HDMI	Data	Digital RGB Analog RGB	-	VGA ~ 1440×900	-	-
CMX-112	HDMI/ Component/ CV/SV	HDMI	Digital RGB/YUV Analog YUV NTSC/PAL	Digital RGB/YUV	480i ~ 1080i	-	Yes	-
CMX-12	HDMI/ Component/ CV/SV	HDMI	Digital RGB/YUV Analog YUV NTSC/PAL	Digital RGB/YUV	480i ~ 1080i	-	Yes	-
CMX-07	CV/SV	CV/SV	NTSC/PAL	NTSC/PAL	480i/576i	-	Yes	-
CDM-831TR	CV/SV	CV/SV/ Component	NTSC3.58/ NTSC4.43/PAL/ PAL-M/PAL-N/ SECAM	NTSC3.58/ NTSC4.43/PAL/ PAL-M/PAL-N/ SECAM	-	-	Yes	-
CDM-831T	CV/SV	CV/SV/ Component	NTSC3.58/ NTSC4.43/PAL/ PAL-M/PAL-N/ SECAM	NTSC3.58/ NTSC4.43/PAL/ PAL-M/PAL-N/ SECAM	-	-	Yes	-
CDM-680	CV/SV	CV/SV	NTSC3.58/ NTSC4.43/PAL/ PAL-M/PAL-N/ SECAM	NTSC3.58/ NTSC4.43/PAL/ PAL-M/PAL-N/ SECAM	-	-	-	-
CDM-660	CV/SV	CV/SV	NTSC3.58/ NTSC4.43/PAL/ PAL-M/PAL-N/ SECAM	NTSC3.58/PAL	-	-	-	-
CDM-640AR	CV/SV/PC	CV/SV/PC	NTSC3.58/ NTSC4.43/PAL/ PAL-M/PAL-N/ SECAM	NTSC3.58/ NTSC4.43/PAL/ PAL-M/PAL-N	-	VGA ~ XGA	-	-
CDM-640A	CV/SV	CV/SV	NTSC3.58/ NTSC4.43/PAL/ PAL-M/PAL-N/ SECAM	NTSC3.58/ NTSC4.43/PAL/ PAL-M/PAL-N	-	-	-	-
CDM-600R	CV	CV	NTSC3.58/ NTSC4.43/PAL/ SECAM	NTSC3.58/PAL	-	-	-	-
CDM-600	CV	CV	NTSC3.58/ NTSC4.43/PAL/ SECAM	NTSC3.58/PAL	-	-	-	-
CDM-150	CV	CV	NTSC3.58/ NTSC4.43/PAL/ PAL-M/PAL-N/ SECAM	NTSC3.58/PAL	-	-	-	-
CDM-160	CV/SV	CV/SV	NTSC3.58/ NTSC4.43/PAL/ PAL-M/PAL-N/ SECAM	NTSC3.58/PAL	-	-	-	-
ADC-660	CV	CV	NTSC3.58/ NTSC4.43/PAL/ PAL-M/PAL-N/ SECAM	NTSC3.58/PAL	-	-	-	-
CUSB-603	HDMI/ Component/SV/ CV	Mini-USB	Digital RGB/YUV Analog YUV NTSC/PAL	Data	480i ~ 1080p	-	-	-
CPT-2370	PC/CV/SV	PC/CV/SV	Analog RGB/CV/SV	Analog RGB/CV/SV	NTSC, NTSC4.43, PAL, PAL-M, PAL-N or SECAM	640×480, 800×600, 1024×768, 1280×1024, 1600×1200	-	-
CBK-10	CV/SV	CV/SV	NTSC/PAL	NTSC/PAL	NTSC/PAL	-	-	-
CAR-3	CV/RGBs Wire	DB9	NTSC/PAL / SECAM RGBs	Analog RGsB/ RGBs	-	-	-	-
CAR-2G	CV/RGBs Wire	DB9	NTSC/PAL / SECAM RGBs	Analog RGsB/ RGBs	-	-	-	-
CAR-1	CV/RGBs Wire	DB9	NTSC/PAL / SECAM RGBs	Analog RGsB/ RGBs	-	-	-	-

9. Audio Conversion

P/N	Input Interface	Output Interface	Input Format	Output Format	Input Sampling Rate	Output Sampling Rate	Dolby Decoder
DCT-9DN	1×TOSLink 1×COAX 2×RCA	1×TOSLink 1×COAX 2×RCA	Compressed 2/5.1CH LPCM 2CH Analog 2CH	Compressed (Bypass) LPCM 2CH Analog 2CH	32 ~ 96 kHz	48 kHz	Yes
DCT-9D	1×TOSLink 1×COAX 2×RCA	1×TOSLink 1×COAX 2×RCA	Compressed 2/5.1CH LPCM 2CH Analog 2CH	Compressed (Bypass) LPCM 2CH Analog 2CH	32 ~ 96 kHz	32 ~ 96 kHz	Yes
DCT-1D	1×TOSLink	2×RCA	LPCM 2CH	Analog 2CH	32 ~ 96 kHz	-	Yes
DCT-9	1×TOSLink 1×COAX 2×RCA	1×TOSLink 1×COAX 2×RCA	Compressed 2/5.1CH LPCM 2CH Analog 2CH	Compressed (Bypass) LPCM 2CH Analog 2CH	32/44.1/48/96 kHz	32/44.1/48/96 kHz	-
DCT-23	2×HDMI 1×TOSLink 1×COAX 1×3.5mm Jack 2×RCA 1×MIC	1×HDMI 1×TOSLink 1×COAX 2×RCA	Compressed 2/5.1CH LPCM 2CH Analog 2CH	Compressed (Bypass) LPCM 2CH Analog 2CH	32 ~ 192 kHz	32 ~ 192 kHz	-
DCT-21	1×HDMI 1×USB 1×TOSLink 1×COAX 2×RCA 1×Aux	1×HDMI 1×TOSLink 1×COAX 2×RCA 1×XLR 1×6.3mm Jack	Compressed 2/5.1CH LPCM 2CH Analog 2CH	Compressed (Bypass) LPCM 2CH Analog 2CH	32 ~ 192 kHz	32 ~ 192 kHz	-
DCT-2	1×TOSLink 1×COAX	1×TOSLink 1×COAX	Compressed 2/5.1CH LPCM 2CH	Compressed (Bypass) LPCM (Bypass)	32 ~ 96 kHz	32 ~ 96 kHz	-
DCT-16	1×Mini-USB	1×TOSLink 2×RCA 1×6.3mm Jack	LPCM 2CH	LPCM 2CH Analog 2CH	44.1 ~ 192 kHz	44.1 ~ 192 kHz	-
DCT-1	1×TOSLink	2×RCA	LPCM 2CH	Analog 2CH	32 ~ 192 kHz	-	-
DCT-25	1×HDMI	2×RCA	LPCM 2CH	Analog 2CH	32 ~ 192 kHz	-	-
DCT-3HP	1×TOSLink 1×COAX	1×3.5mm Jack	LPCM 2CH	Analog 2CH	32 ~ 192 kHz	-	-
DCT-3A	1×TOSLink 1×COAX	2×RCA	LPCM 2CH	Analog 2CH	32 ~ 192 kHz	-	-
DCT-3	1×TOSLink 1×COAX	2×RCA	LPCM 2CH	Analog 2CH	32 ~ 96 kHz	-	-
DCT-15	1×Mini-USB 1×TOSLink	2×RCA	LPCM 2CH	Analog 2CH	44.1/48 kHz (USB) 32 ~ 192 kHz (TOSLink)	-	-
DCT-24	1×3.5mm Jack 2×RCA 1×USB	1×6.3mm Jack 2×RCA	LPCM 2CH Analog 2CH	Analog 2CH	32 ~ 192 kHz	-	-
DCT-4T	2×RCA	1×TOSLink 1×COAX	Analog 2CH	LPCM 2CH	-	48 kHz	-
DCT-4	2×RCA	1×TOSLink 1×COAX	Analog 2CH	LPCM 2CH	-	48 kHz	-
DCT-28	1×TOSLink	4×TOSLink	Compressed 2/5.1CH LPCM 2CH	Compressed (Bypass) LPCM (Bypass)	32 ~ 192 kHz	32 ~ 192 kHz	-
DCT-17	4×TOSLink	1×TOSLink	Compressed 2/5.1CH LPCM 2CH	Compressed (Bypass) LPCM (Bypass)	32 ~ 192 kHz	32 ~ 192 kHz	-
DT-12	1×TOSLink	2×TOSLink	Compressed 2/5.1CH LPCM 2CH	Compressed (Bypass) LPCM (Bypass)	32 ~ 96 kHz	32 ~ 96 kHz	-
DT-21	2×TOSLink	1×TOSLink	Compressed 2/5.1CH LPCM 2CH	Compressed (Bypass) LPCM (Bypass)	32 ~ 96 kHz	32 ~ 96 kHz	-
CPRO-11SI	1×HDMI 1×TOSLink 1×3.5mm Jack	1×HDMI	Compressed 2/7.1CH LPCM 2/7.1CH Analog 2CH	Compressed (Bypass) LPCM (Bypass) LPCM 2CH	32 ~ 192 kHz	32 ~ 192 kHz	-
CPRO-11SE8	1×HDMI	1×HDMI 1×TOSLink 4×3.5mm Jack	Compressed 2/7.1CH LPCM 2/7.1CH	Compressed (Bypass) LPCM (Bypass) Analog 8CH	32 ~ 192 kHz	32 ~ 192 kHz	-
CPRO-11SE2	1×HDMI	1×HDMI 1×TOSLink 1×3.5mm Jack	Compressed 2/7.1CH LPCM 2/7.1CH	Compressed (Bypass) LPCM (Bypass) Analog 2CH	32 ~ 192 kHz	32 ~ 192 kHz	-
CLUX-11CA	1×HDMI 1×TOSLink 2×RCA	1×HDMI	Compressed 2/7.1CH LPCM 2/7.1CH Analog 2CH	Compressed (Bypass) LPCM (Bypass) LPCM 2CH	32 ~ 192 kHz (HDMI) 32 ~ 48 kHz (TOSLink)	32 ~ 192 kHz	-
CLUX-11CD	1×HDMI	1×HDMI 1×TOSLink 2×RCA	Compressed 2/7.1CH LPCM 2/7.1CH	Compressed (Bypass) LPCM (Bypass) Analog 2CH	32 ~ 192 kHz	32 ~ 192 kHz (HDMI) 32 ~ 48 kHz (TOSLink)	-
CLUX-11HB	1×TOSLink 2×RCA	1×HDMI	Compressed 2/5.1CH Analog 2CH	Compressed (Bypass) LPCM 2CH	32 ~ 192 kHz	32 ~ 192 kHz	-
DCT-18	2×RCA	2×RCA	Analog 2CH	Analog 2CH	-	-	-
DCT-6S	2×RCA	2×RCA	Analog 2CH	Analog 2CH	-	-	-
DCT-8S	1×HDMI	1×HDMI	LPCM 2CH	LPCM 2CH	32 ~ 48 kHz	32 ~ 48 kHz	-
DCT-11S	1×SCART	1×SCART 2×RCA	Analog 2CH	Analog 2CH	-	-	-
CPRO-AVR1	4×HDMI 1×COAX 8×RCA	1×HDMI 7×Speaker Spring Clip 1×SUB Out	Compressed 2/5.1CH LPCM 2/7.1CH Analog 2/7.1CH	Compressed (Bypass) LPCM (Bypass) Analog 2/7.1CH	32 ~ 192 kHz (HDMI) 32 ~ 96 kHz (COAX)	32 ~ 192 kHz	-
CPRO-A1	3×HDMI 1×TOSLink 1×COAX 8×RCA	1×HDMI 7×Speaker 1×SUB Out	Compressed 2/5.1CH LPCM 2/7.1CH Analog 2/7.1CH	Compressed (Bypass) LPCM (Bypass) Analog 2/7.1CH	32 ~ 192 kHz (HDMI) 32 ~ 96 kHz (TOSLink/COAX)	32 ~ 192 kHz	-

◆ What is HDMI?



HDMI (High-Definition Multimedia Interface) is an audio/video interface for transferring uncompressed video data and compressed/uncompressed digital audio data from an HDMI device (Blu-ray player, DVD player, gaming console, computer, cameras, camcorders, tablets, smart phones, and so on) to a compatible computer monitor, video projector, digital television, or digital audio device. HDMI is a digital replacement for existing analog video standards.

◆ What is HDCP?

High-bandwidth Digital Content Protection (HDCP) is a form of digital copy protection to prevent copying of digital audio and video content as it travels across connections. Types of connections include High-Definition Multimedia Interface (HDMI), Digital Visual Interface (DVI), DisplayPort (DP).

◆ What is HDMI EDID and how does EDID Management work?

EDID stands for Extended Display Information Data, it is one of the standards defined by Video Electronics Standards Organization (VESA). A digital display or monitor provides EDID to a video source to describe its capabilities such like supported audio and video formats, color space and color depth.

EDID Management basically refers to two types of operation, one is EDID selection and the other is EDID manipulation, both features are widely adopted by Cypress Technology (CYP) in its products of several categories.

Most of CYP HDMI matrixes and splitters carry EDID selection feature which allows user to switch between external EDID (of the display) and internal EDID (built-in). And there are CYP EDID selectors and signal generators, these products allow user to modify the audio and video specifications in the EDID before send it to the video source.

EDID Management helps to solve incompatibility between display and source, and is very useful for system diagnosis for integration of audio and video equipment.

◆ What is CEC?

Consumer Electronics Control (CEC) is an HDMI feature designed to allow the user to command and control multiple CEC-enabled devices, that are connected through HDMI, by using only one of their remote controls (for example by controlling an HDTV, DVD player, and Blu-ray player using only the remote control of the TV). CEC also allows for individual CEC-enabled devices to command and control each other without user intervention.

CEC features are widely adopted by CYP HDMI products, and there are 3 major utilities provided by CYP HDMI matrixes, splitters, switchers, extenders and other products.

- **CEC Bypass:** CEC commands will be routed among the connected devices or from the transmitter to receiver of an extender set, just like HDMI video / audio signals, and any CEC-enabled device in the installation chain will respond the command and operate accordingly.
- **CEC System Reset:** CYP HDMI matrix or splitter with this feature can send a built-in CEC command to all connected CEC-enabled HDTV / displays, every 8~10 minutes, to force them to switch their source input selection to HDMI 1 port.
- **CEC Control:** Connecting to a PC/NB and using the bundled software application, CYP CEC Controller can send CEC commands to control any CEC-enabled device in the installation chain.

◆ What are HDMI ARC and HEC for?

ARC (Audio Return Channel) and HEC (HDMI Ethernet Channel) both are new features HDMI introduced to the market few years ago.

ARC allows audio from a TV display device to be transmitted over the HDMI cable back to the AV receiver or speakers, this direction is used when the TV is the one that generates or receives the video stream (from tuner or set-top-box) instead of the other equipment. Some CYP HDMI switchers provide additional ARC support to the convenience of professional / home A/V system installation.

HEC provides a bidirectional Ethernet communication at 100 Mbit/s (100BaseT network), over the HDMI cable, which eliminates the need for a separate Ethernet connection to each network-enabled device (HDTV, Blu-ray player, AV receiver, etc.) in a professional / home A/V system installation.

◆ What is HDMI Seamless Switching?

With a traditional HDMI matrix or switcher, switching between multiple HDMI inputs can take five or even up to ten seconds, which is always considered as a noticeable delay, to consumer user experience as well as to professional setup. The delay is majorly caused by the HDCP authentication procedure between the source device and the display, as it's required to be done every time the connection is established, for example when you change to another input on an HDMI switcher. CYP HDMI Seamless Switching matrix and switcher, developed with the latest technologies, are able to solve this issue by sustaining the connection between multiple source devices and the display, it takes almost no time (only few milliseconds depends on the capability of the connected display) to show video from the next selected input.

◆ What is LPCM audio?

Linear Pulse-Code Modulation (LPCM) is a method of encoding up to 8 channels (7.1) of uncompressed audio into a digital video signal, and the term also refers collectively to formats using this method of encoding. HDMI interface supports up to 8-channel of LPCM/192 kHz/24-bit audio, which is generally the default audio output format of Blu-ray player.

◆ What is UHD or 4K×2K resolution?

UHD is an abbreviation of Ultra High Definition which includes 4K UHD (2160p) and 8K UHD (4320p), which are two latest digital video formats. 4K UHD (or 4K UHDTV) generally refers to a resolution of 3840 pixels × 2160 lines (8.3 megapixels, aspect ratio 16:9), while 4Kx2K can also be a resolution of 4096 × 2160 (8.8 megapixels, aspect ratio 17:9) for 4K film projection.

◆ What can I do with 3D video signal when my TV only supports 2D?

The 2D-only TVs normally cannot handle the incoming 3D video signal, because of the limited processing ability of the TV, the image it presents could be repeated (2 duplicated one) and incorrectly scaled vertically or horizontally. To make it simple, the depth of 3D image is actually constructed by 2 same images overlapping (vertically or horizontally depends on the 3D technology involved), and since a 2D-only TV cannot recognize this kind of signal it will fail to playback properly, CYP 3D to 2D converter can solve the problem by removing the additional image to make 2D signal.

◆ What is the HDBaseT technology?



HDBaseT technology can connect all the entertainment devices in the home through its 5Play™ feature set, converging uncompressed full HD digital video, audio, 100BaseT Ethernet, Power over HDBaseT (POH) and various control signals all through a single 100m/328ft (or 70m/230ft the lite version) CAT5e/6 cable.

◆ What is a video scaler?

A video scaler is basically a device that can convert the resolution of video signals, resulting a different output video from the input. Besides changing the size (the number of horizontal and vertical pixels) of the original video signals, video scaler products provides additional features including analog-to-digital or digital-to-analog signal conversion, noise reduction, de-interlacing, comb filtering, motion picture improvement, aspect ratio conversion, video system conversion, frame rate conversion, and others which can optimize the output video signal for given display settings.

◆ What are IP Control and Web GUI?

There are many methods to control your equipment besides pushing the buttons on its panels, protocols such like IR (Infrared), RS-232, and USB are all very common and handy in most cases. However, the utilization of IR / RS-232 / USB can be limited by the distance of either infrared transmission or cable connection, so these protocols can only serve near or local operation. To the need of operating equipment over long distance and wide area, nowadays many equipment are designed to be controlled on the network (or over IP), CYP has adopted this technology and applied it to several new matrix products. CYP IP-Control-Enabled matrix has its own IP address, just like regular network equipment or computer, and can be accessed over Ethernet network using Telnet or TCP/IP protocol, and the later one comes with webpages which provides all available graphic user interface (Web GUI) for user to control the equipment.

◆ What is 3G-SDI?

Serial digital interface (SDI) is a family of digital video interfaces standardized by SMPTE (The Society of Motion Picture and Television Engineers). SDI signal is digital and uncompressed, running over coax cable and using BNC connector. SMPTE standards (such like 259M) and associated bitrates define SDI signal to different specs, and the 3 most well-known among the specs are SD-SDI, HD-SDI and 3G-SDI. The 3G-SDI can allow up to 3 Gbps bandwidth which is required by transferring a 1080p signal. CYP has full series of 3G-SDI products, including matrixes, splitters, switchers, converters and scalers, all of them support 3G-SDI and are down-compatible with SD-SDI and HD-SDI interfaces.

HDMI / HDTV resolutions can be basically mapped to SDI interfaces as below:

- **480i/576i:** SD-SDI (SMPTE 259M-C, at bitrates of 270 Mbit/s)
- **720p/1080i:** HD-SDI (SMPTE 292M, at bitrates of 1.485 Gbit/s or 1.485/1.001 Gbit/s)
- **1080p:** 3G-SDI (SMPTE 424M/425M-AB, at bitrates of 2.970 Gbit/s and 2.970/1.001 Gbit/s)

◆ What is Dolby Digital and does CYP have solution for this technology?



Dolby Digital (also known as AC-3) is a lossy audio compression format. It supports channel configurations from mono up to six discrete channels (referred to as "5.1"). This format first allowed and popularized surround sound. It was first developed for movie theater sound and spread to CD, DVD and Blu-ray, now a common audio format for home entertainment. The Dolby Digital audio signals from DVD / Blu-ray player are digitally compressed and encoded by Dolby Digital technology, so an AV receiver is required to decode and convert the signals to analog format before users can enjoy the audio from their speakers. To handle Dolby Digital audio, CYP provides much simpler (and much smaller) solution than bulky AV receiver, with the tiny audio decoder gadgets which can do decoding and conversion of Dolby Digital audio in a plug and play fashion.

◆ Where can I get firmware update for my CYP products?

To obtain updated firmware or software for CYP products, end user needs to contact his/her local distributor. Due to certain hardware tools and software applications are needed to update most of CYP products, and the updating procedure requires certain skills and expertise to be performed properly, we do not provide online service of firmware update at this moment and it's not recommended for end-users to do update by themselves without the technical support from CYP distributors.

◆ What's CYP's warranty and repair policy?

At CYP, we are committed to offer high standard after-sales service, and we offer 18 months warranty period starting from the day the product is manufactured. End users must contact their local distributor from where the fault unit(s) was/were purchased to access to the repair service. CYP will not accept direct return from end user unless the faulty issue was reported to the distributor and was not addressed appropriately.

◆ Where can I buy CYP products?

We have distributors throughout the world who are more than happy to help end users. Simply visit our official website at www.cypress.com.tw and go to the Distributors Page to look for the distributors at your location. Or, you can contact us directly at the email address below:

- Product Inquiry Email 1: cypress@cypress.com.tw
- Product Inquiry Email 2: cypress2@ms35.hinet.net

◆ Where can I get more details about the products in this catalogue?

Please visit our official website at www.cypress.com.tw and go to the Product Page of the products you're interested, and download the user manual for product feature introduction and operation guideline.

ADC	CDPH-1P 102	CH-507TXWPUS 51	CLUX-1CAT4H 27
ADC-660 115		CH-513RXL 54	CLUX-1CAT8H 27
CA	CDPS	CH-513TXL 54	CLUX-1H4CAT 26
CA-COMP50R 66	CDPS-6H2HFS 6	CH-514RXL 54	CLUX-1H8CAT 26
CA-COMP100R 66	CDPS-41SQ 33 & 139	CH-514RXWPL 55	CLUX-2EN 21
CA-COMPAT 66	CDPS-44SM 6 & 138	CH-514TXL 54	CLUX-3D12S1A 21
CA-DVI100R 67		CH-515RXPT 49	CLUX-4EN 21
CA-DVI250R 67	CDPV	CH-516TXAS 50	CLUX-4M 22
CA-DVIAT 67	CDPV-1A 105	CH-517RXHS 50	CLUX-4S2 39
CA-HDMI50R 66		CH-1103RX 56	CLUX-8EN 21
CA-HDMI100R 66	CDVI	CH-1103TX 56	CLUX-8M 22
CA-HDMI150R 66	CDVI-2DDS 28	CH-1106RXN 56	CLUX-8M3D 21
CA-HDMI250R 66	CDVI-2S 28	CH-1106TX 56	CLUX-8MCAT 26
CA-HDMIAT 66	CDVI-4DDS 28	CH-1107EX 59	CLUX-11CA 131
CA-USB100R 59	CDVI-4S 28	CH-1107TX 58	CLUX-11CD 131
CA-USBAT 59	CDVI-8S 28	CH-1109RXC 46	CLUX-11HB 131
CA-USBHU100R 63	CDVI-31 42	CH-1109TXC 46	CLUX-11HS 69
CA-USBHUT 63	CDVI-41 42	CH-1507RX 48	CLUX-11SA 69
CA-USBS100R 58	CDVI-61 42	CH-1507TX 48	CLUX-12CEC 25
CA-USBST 58	CDVI-81 42	CH-2507RX 48	CLUX-12E 25
	CDVI-513RXL 54	CH-2507TX 48	CLUX-12S 24
	CDVI-513TXL 54	CH-A1 142	CLUX-14CEC 25
		CH-POC1 146	CLUX-14E 25
CAC			CLUX-14EP 23
CAC-RXA 64	CED	CHDBR	CLUX-14S 24
CAC-TXA 64	CED-1M 147	CHDBR-2HE 19	CLUX-14W 22
CAR	CED-S11 147		CLUX-16E 25
CAR-1 117		CHDBT	CLUX-16EN 21
CAR-2G 117	CETH	CHDBT-1H1CE 18	CLUX-18CEC 25
CAR-3 117	CETH-4HDI 29	CHDBT-1H1CL 18	CLUX-18E 25
	CETH-4USB 63	CHDBT-1H2CE 18	CLUX-18EU 23
CBK		CHDBT-1H3CE 17	CLUX-18S 24
CBK-10 116	CFSW	CHDBT-1H3CL 17	CLUX-18W 22
	CFSW-51MHL 33	CHDBT-1H7CE 17	CLUX-21N 34
		CHDBT-1H7CL 17	CLUX-21SY 40
CCMX	CH	CHDBX	CLUX-22HC 27
CCMX-42 13	CH-2D3D 108	CHDBX-1C 68	CLUX-31GAME 36
CCMX-44 13	CH-101 70	CHDBX-1CL 68	CLUX-31N 34
CCMX-44DA 13	CH-106RXN 57		CLUX-31SY 40
CDB	CH-106TXN 57	CHDD	CLUX-41AP 39
CDB-5 137	CH-107RXN 58	CHDD-3C 31	CLUX-41AT 39
CDL	CH-108 71	CHDD-8C 31	CLUX-41N 34
CDL-125 110	CH-304RX 60	CHDD-41AR 43	CLUX-41SY 40
CDL-165ETHG 109	CH-304TX 60		CLUX-41W 36
CDL-165HUB 110	CH-306RXA 62	CHDMI	CLUX-42E 38
CDL-165PRO 109	CH-306TXA 62	CHDMI-31 41	CLUX-42S 38
CDM	CH-316RXO 62	CHDMI-41 41	CLUX-42SA 37
CDM-150 115	CH-316TXO 62	CHDMI-41AT 41	CLUX-61 37
CDM-160 115	CH-322 108	CHDMI-42E 41	CLUX-81 37
CDM-600 114	CH-501RX 49		CLUX-210S 24
CDM-600R 114	CH-501TX 49	CHMX	CLUX-C41C 40
CDM-640A 114	CH-506RX 46	CHMX-22 9	CLUX-C61C 40
CDM-640AR 114	CH-506RXL 53	CHMX-24 9	CLUX-C81C 40
CDM-660 113	CH-506RXPL 53	CHMX-44 9	CLUX-DVI2SDIA 101
CDM-680 113	CH-506RXWP 51		CLUX-H2SDI 99
CDM-831T 112	CH-506TX 46	CHQV	CLUX-H2SDIA 100
CDM-831TR 112	CH-506TXL 53	CHQV-2H 78	CLUX-M2SDI 88
CDP	CH-506TXPL 53	CHQV-3CH 78	CLUX-OF2SDI 64
CDP-13DPI 30	CH-506TXWP 51		CLUX-SDI2CSS 89
CDP-14C 30	CH-507RX 47	CIR	CLUX-SDI2DVIA 101
CDPH	CH-507RXBD 47	CIR-03 60	CLUX-SDI2HC 99
	CH-507RXWP 52	CIR-12 60	CLUX-SDI2HCA 100
	CH-507RXWPUS 51		CLUX-SDI2HS 88
	CH-507TX 47	CLUX	CLUX-SDI2OF 64
	CH-507TXBD 47		CLUX-SDI2VS 89
	CH-507TXWPBD 52		CLUX-UCEC 145
		CM	
		CM-347ST 91	

CM-348ST	87	COH-RX2	64	CPRO-4E	20	CVM-22C	137
CM-388M	93	COH-TX	65	CPRO-4ER	19	CVM-42AU2	136
CM-388N	93	COH-TX1	64	CPRO-8E	20	CVMDP	
CM-398DI	86	COH-TX2	64	CPRO-8ER	19	CVMDP-1080P	84
CM-398H	82	CP		CPRO-8MCEC	20	CVSD	
CM-398M	92	CP-251F	92	CPRO-11SE2	130	CVSD-3A	31
CMDP		CP-252	86	CPRO-11SE8	130	CVSD-41AR	43
CMDP-13MDPI	30	CP-253	92	CPRO-11SI	130	CVSD-41ARN	43
CMDP-DL2DVI	102	CP-254	86	CPRO-11SR	68	CVW	
CMDPH		CP-255D	85	CPRO-16E	20	CVW-11HS	136
CMDPH-2C	102	CP-255DN	85	CPRO-41W	35	CVW-42AK2	136
CMIR		CP-255H	76	CPRO-A1	133	CVW-47LG2	136
CMIR-44	14	CP-255I	76	CPRO-AVR1	132	CVW-47SDI2	136
CMIR-882	14	CP-255ID	84	CPT		CVW-55S	136
CMLUX		CP-259H	80	CPT-385AM	94	CVW-60S	136
CMLUX-4H4CAT	10	CP-260D	107	CPT-387HD	94	CWF	
CMLUX-22S	8	CP-263D	71	CPT-2370	116	CWF-901	144
CMLUX-24S	8	CP-263H	71	CRS		CWF-901SP	144
CMLUX-42S	8	CP-264	107	CRS-232RX	60	DCT	
CMLUX-44E	8	CP-265	107	CRS-232TX	60	DCT-1	124
CMLUX-44S	8	CP-267S	103	CS		DCT-1D	120
CMPRO		CP-268S	103	CS-801H	77 & 108	DCT-2	124
CMPRO-2D2D	11	CP-280H	106	CS-802D	77	DCT-2-3	127
CMPRO-4D4D	11	CP-281H	106	CS-HH	70	DCT-3	126
CMPRO-4H2H	7	CP-290	81	CS-PM	146	DCT-3A	126
CMPRO-4H4H	7	CP-291	91	CSC		DCT-3HP	126
CMSDI		CP-292	91	CSC-210	90	DCT-4	129
CMSDI-44	12	CP-293	81	CSC-220	90	DCT-4T	128
CMSDI-84	12	CP-294	81	CSC-5300	105	DCT-6S	132
CMSDI-124	12	CP-295N	80	CSC-5500	75	DCT-8S	133
CMSDI-164	12	CP-298D	87	CSDI		DCT-9	122
CMSDI-1616S	12	CP-298H	82	CSDI-14	29	DCT-9D	120
CMSI		CP-300VD	87	CSDI-42	42	DCT-9DN	120
CMSI-4H4CV	3	CP-302M	82	CSDI-44	42	DCT-11S	133
CMSI-4H4CVL	4	CP-1261D	106	CSI		DCT-15	126
CMSI-8D8DS	11	CP-1261HS	106	CSI-8H8CV2IR	45	DCT-16	125
CMSI-8D8DSA	11	CP-1262DE	104	CSI-8H8CVTX	45	DCT-17	129
CMSI-8H8CV	3	CP-1262HE	104	CSLUX		DCT-18	132
CMSI-8H8CVE	2	CP-1262HST	104	CSLUX-300I	75	DCT-21	123
CMSI-8H8CVL	4	CP-1269HM	70	CSLUX-1080P	83	DCT-23	122
CMSI-8H8HC	10	CP-1283HDT	103	CSO		DCT-24	126
CMSI-8H8HS	7	CP-MHD421	139	CSO-T2	79	DCT-25	125
CMSI-18H8CVE	2	CP-MHMR921	138	CSUB		DCT-28	128
CMSI-46PL	5	CP-VSRGB	107	CSUB-603	116	DT	
CMSI-88	1	CPA		CV		DT-12	128
CMSI-424E	3	CPA-1	145	CV-400H	96	DT-21	129
CMSI-424L	5	CPA-2	145	CV-401D	95	LPM	
CMSI-1616	1	CPA-4	144	CV-401H	95	LPM-55	144
CMSI-3232	1	CPCD		CV-401V	96	CVLUX	
CMX		CPCD-3A	31	CVLUX-1080P	83	CVM	
CMX-07	112	CPCD-41AR	43	CPHD			
CMX-12	111	CPHD		CPHD-1	143		
CMX-112	111	CPHD-3A	142	CPOWER			
COH		CPOWER		CPOWER-80W	146		
COH-RX	65	CPRO		CVMDP			
COH-RX1	64	CPRO-2E	20	CVMDP-1080P	84		
		CPRO-2E4KS	78	CVSD			
		CPRO-3D41GAME	35	CVSD-3A	31		
		CPRO-3D42S	34	CVSD-41AR	43		
				CVSD-41ARN	43		
				CVW			
				CVW-11HS	136		
				CVW-42AK2	136		
				CVW-47LG2	136		
				CVW-47SDI2	136		
				CVW-55S	136		
				CVW-60S	136		
				CWF			
				CWF-901	144		
				CWF-901SP	144		
				DCT			
				DCT-1	124		
				DCT-1D	120		
				DCT-2	124		
				DCT-2-3	127		
				DCT-3	126		
				DCT-3A	126		
				DCT-3HP	126		
				DCT-4	129		
				DCT-4T	128		
				DCT-6S	132		
				DCT-8S	133		
				DCT-9	122		
				DCT-9D	120		
				DCT-9DN	120		
				DCT-11S	133		
				DCT-15	126		
				DCT-16	125		
				DCT-17	129		
				DCT-18	132		
				DCT-21	123		
				DCT-23	122		
				DCT-24	126		
				DCT-25	125		
				DCT-28	128		
				DT			
				DT-12	128		
				DT-21	129		
				LPM			
				LPM-55	144		
				CV			
				CV-400H	96		
				CV-401D	95		
				CV-401H	95		
				CV-401V	96		
				CVLUX			
				CVLUX-1080P	83		
				CVM			

ABOUT US

Cypress Technology, based in Taiwan, was founded in 1989, specialising in the design and manufacture of innovative AV and Multimedia products. Today Cypress Technology is highly recognised as a pioneer within the AV industry and offers an extensive AV product range that is now widely used throughout the AV industry internationally.

All our products are primarily designed for signal management for Home Theatre integration, AV signal distribution within Mega Stores, video production, video picture enhancement or signal format conversion, distribution and switching - in fact, it would be simpler to say Cypress Technology can always bring a solution to bridge the gap between the incompatibility of AV systems.

Since its founding Cypress Technology have always been at the very forefront of every shift in AV technological advancements, from developing and manufacturing analogue devices in the early 1990's, PC Multimedia in the late 90's, digital video in early 2000 to today's HDMI 'High Definition' arena for all HDTV solutions. Cypress Technology has continually over the last 20 years, developed and manufactured on an OEM/ODM basis for many internationally renowned industry leaders, whilst also developing our own CYP Brand without compromising the interest of our clients.

Due to our extensive experience within AV technology, Cypress Technology is not only equipped to provide great flexibility and speed for designing customised products to meet our customer's requirements, but also in R & D and the continuous development and testing of the emerging HDMI technologies. Cypress Technology takes great pride in the quality of its product range and offers a reliable "After Sales Service" with timely technical support to customers' questions in the field.

We have established a worldwide network of distributors and resellers; please contact a distributor in your country, for all our product details or information. However, should you wish to contact us directly for the development of future business, please do not hesitate to do so, at sales@cypress.com.tw.

TRADEMARK NOTICE

Dolby and the double-D symbol are registered trademarks of Dolby Laboratories.

DTS, DTS-HD, the Symbol, & DTS or DTS-HD and the Symbol together are registered trademarks of DTS, Inc.

HDBaseT™ and the HDBaseT Alliance logo are trademarks of the HDBaseT Alliance.

HDMI, the HDMI Logo, and High-Definition Multimedia Interface are trademarks or registered trademarks of HDMI Licensing LLC in the United States and other countries.

The DisplayPort Certified Logo and DisplayPort Icons are Registered Trademarks of the Video Electronics Standards Association (VESA). The word DisplayPort is a Registered Trademark of VESA in various countries around the world.

©2014 Cypress Technology Co., Ltd. All rights reserved.



CYPRESS TECHNOLOGY CO.,LTD.
www.cypress.com.tw

6F-5, No. 130 Jiankang Rd., Zhonghe Dist.,
New Taipei City 23585, Taiwan, R.O.C.

TEL: 886-2-2226-9586
FAX: 886-2-2226-9587